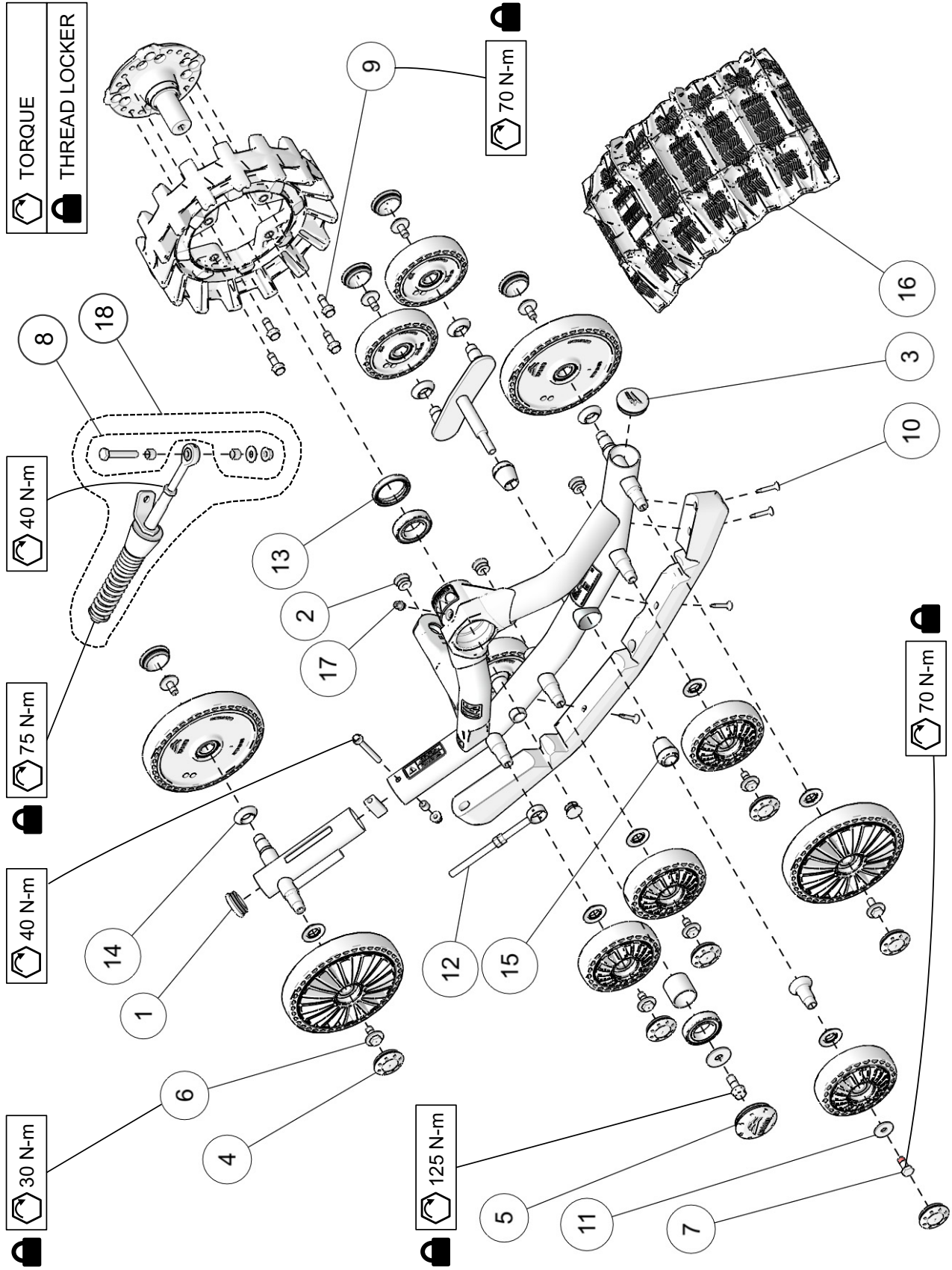


CAMSO X4S FOR ALL-TERRAIN VEHICLES AND SIDE-BY-SIDE VEHICLES

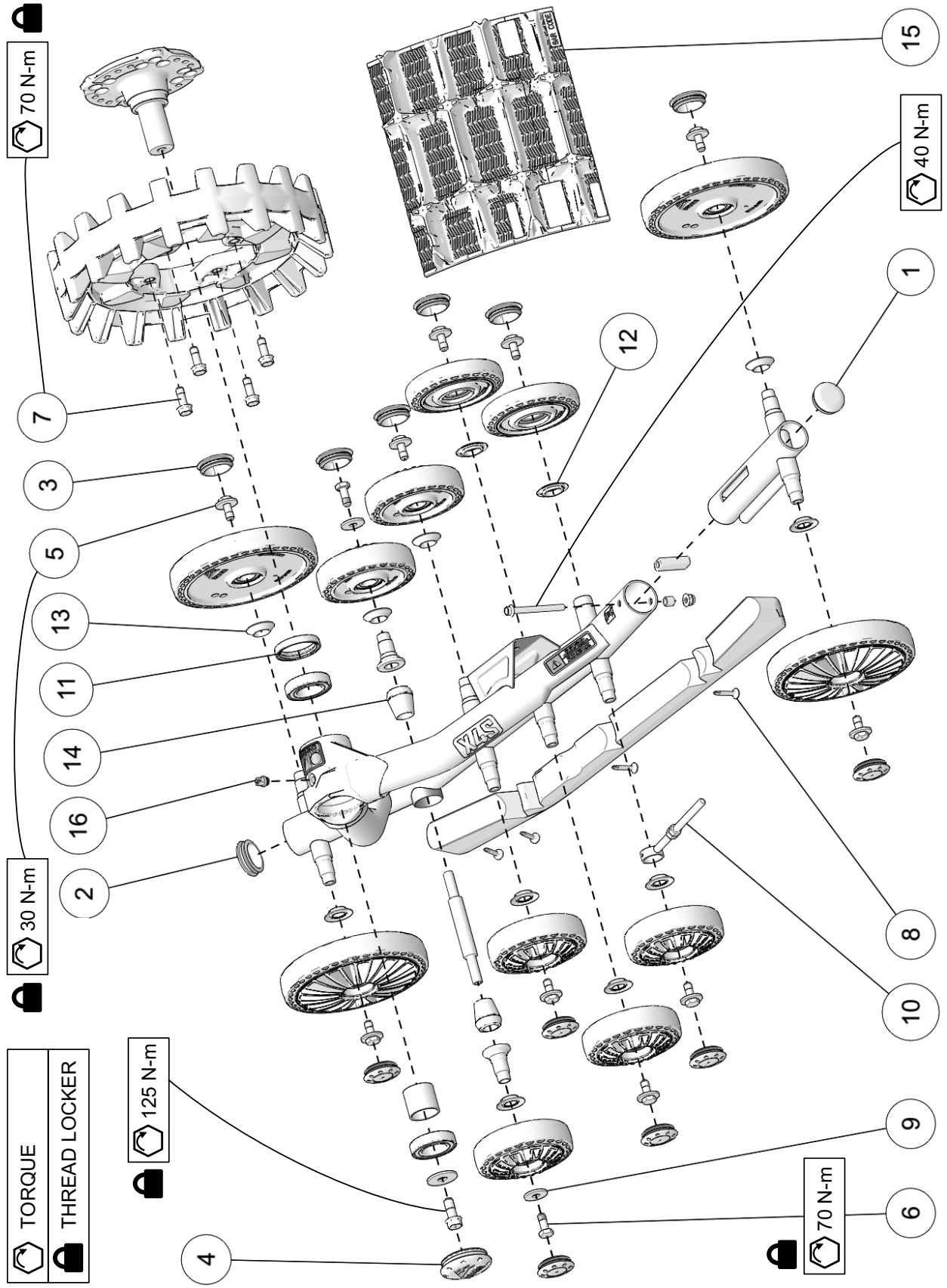
VERSION A

PARTS LIST 2020

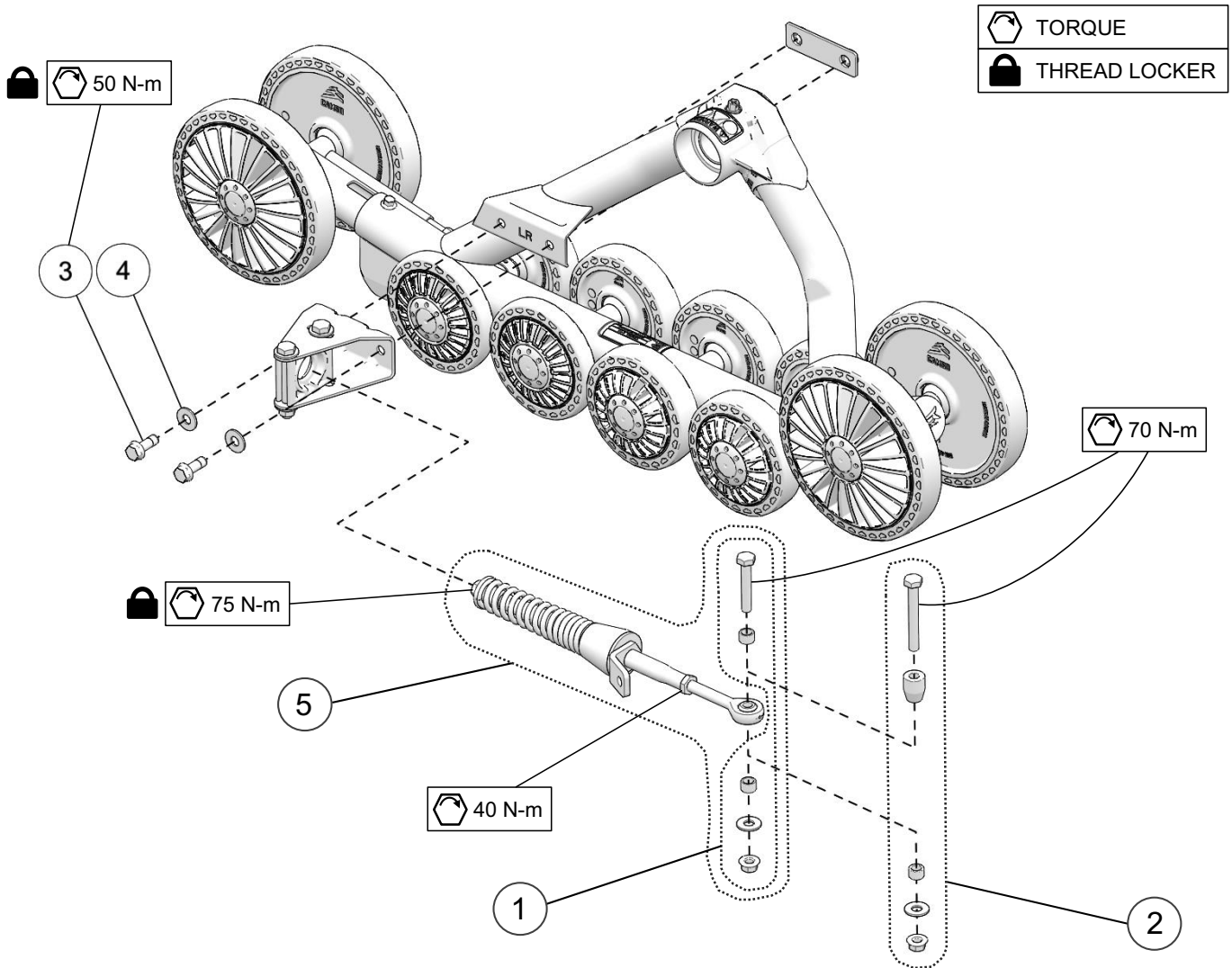






ITEM	PART #	DESCRIPTION	QTY
		CAMSO X4S MY2020 :: FRONT LEFT & RIGHT	
1	1017-00-0001	FRAME TAIL PLASTIC CAP / CAP DE QUEUE DE CADRE	1
2	1017-00-0005	PLASTIC WHEEL CAP 1" / CAP DE ROUE DE 1"	4
3	1017-00-0010	PLASTIC FRAME CAP 2" / CAP DE CADRE 2"	1
4	1017-00-0042	WHEEL CAP / CAP DE ROUE -- 2"	11
5	1017-00-7150	HUB CAP CAMSO ASS'Y / CAP MOYEU CAMSO ASS.	1
6	1033-10-2026	HCSW, M10-1.5X25, 8.8, ZP, TL, DIN933	10
7	1033-10-A025	HCS, M10-1.5X25, 10.9, ZP, TL, DIN933	1
8	1033-AS-0025	STABILIZING ROD SHORT BOLT KIT / ENS. BOUL. COURT BRAS STAB.	1
9	1036-10-4030	HFSCS, M10-1.5X30, 10.9, ZP, TL, DIN 6921	4
10	1049-00-0007	SDSQWS, #12-24X1.5, ZP	4
11	1060-38-0114	WASHER / RONDELLE -- 3/8X1-1/4, 0.120, ZP	1
12	1082-00-7050	TRACK TENSIONER ROD ASS. / TIGE TENDEUR ASS.	1
13	1093-00-7002	DOUBLE LIPS HUB SHAFT SEAL / JOINT ÉTANCHE DOUBLE	1
14	1093-00-7021	SHAFT SEAL / JOINT D'ÉTANCHÉITÉ	11
15	1093-00-7045	URETHANE CONE / CÔNE D'URÉTHANE	2
16	1093-00-9229	FRONT TRACK / CHENILLE AVANT -- ATV T4S (9229S)	1
17	1433-10-0001	HHP, M10-1	1
18	7001-00-7504	S-KIT STABILIZING ROD - ATV / S-KIT BRAS STABILISATEUR, ATV	1

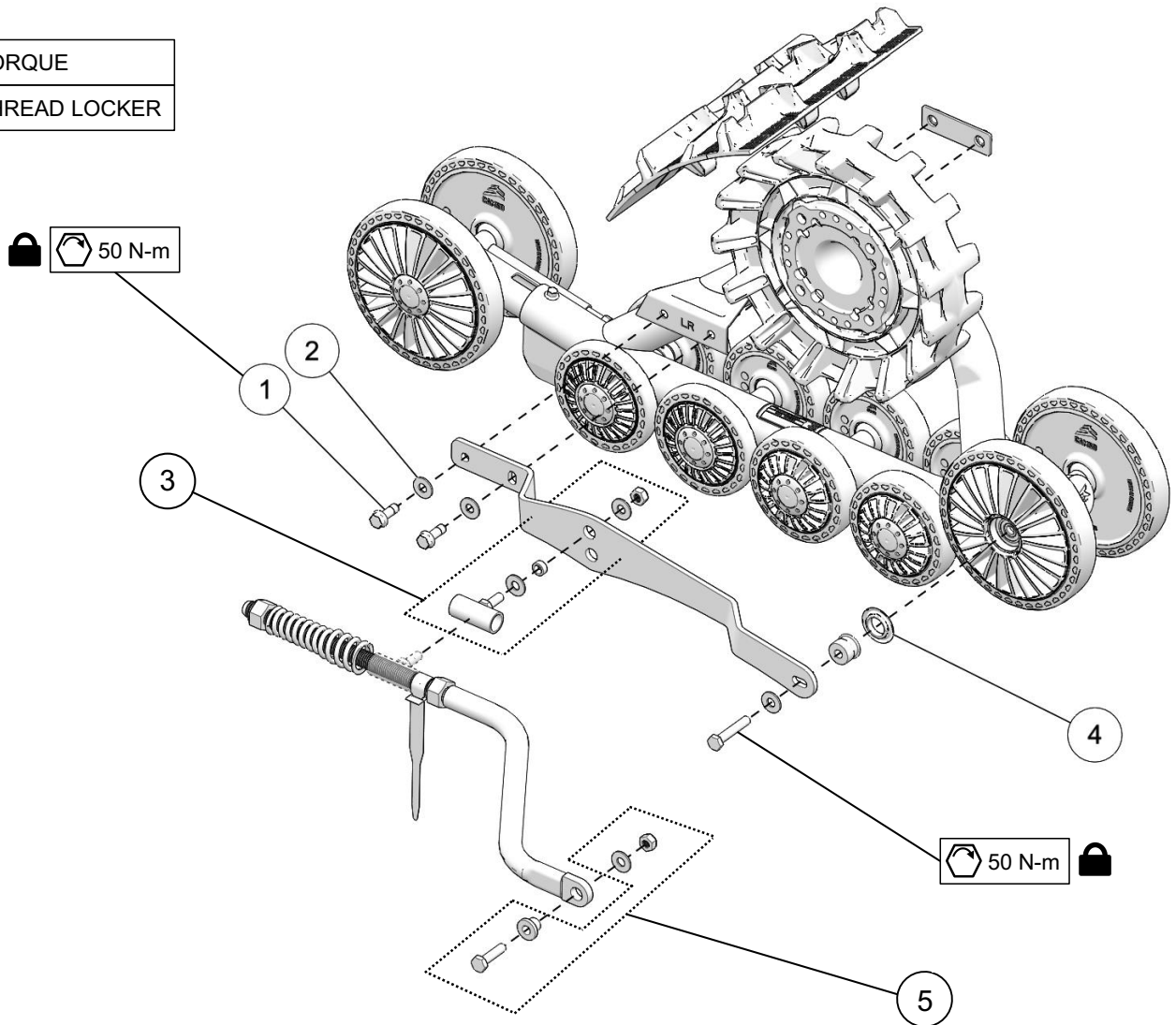


ITEM	PART #	DESCRIPTION	QTY
		CAMSO X4S MY2020 :: LEFT & RIGHT REAR	
1	1017-00-0001	FRAME TAIL PLASTIC CAP / CAP DE QUEUE DE CADRE	1
3	1017-00-0010	PLASTIC FRAME CAP 2" / CAP DE CADRE 2"	1
3	1017-00-0042	WHEEL CAP / CAP DE ROUE -- 2"	11
4	1017-00-7150	HUB CAP CAMSO ASS'Y / CAP MOYEU CAMSO ASS.	1
5	1033-10-2026	HCSW, M10-1.5X25, 8.8, ZP, TL, DIN933	10
6	1033-10-A025	HCS, M10-1.5X25, 10.9, ZP, TL, DIN933	1
7	1036-10-4030	HFSCS, M10-1.5X30, 10.9, ZP, TL, DIN 6921	4
8	1049-00-0007	SDSQWS, #12-24X1.5, ZP	4
9	1060-38-0114	WASHER / RONDELLE -- 3/8X1-1/4, 0.120, ZP	1
10	1082-00-7050	TRACK TENSIONER ROD ASS. / TIGE TENDEUR ASS.	1
11	1093-00-7002	DOUBLE LIPS HUB SHAFT SEAL / JOINT ÉTANCHE DOUBLE	1
12	1093-00-7009	WHEEL SEAL / JOINT D'ÉTANCHÉITÉ -- (25ID X 42OD)	2
13	1093-00-7021	SHAFT SEAL / JOINT D'ÉTANCHÉITÉ	11
14	1093-00-7045	URETHANE CONE / CÔNE D'URÉTHANE	2
15	1093-00-9228	REAR TRACK / CHENILLE ARRIÈRE -- ATV T4S (9228S)	1
16	1433-10-0001	HHP, M10-1	1

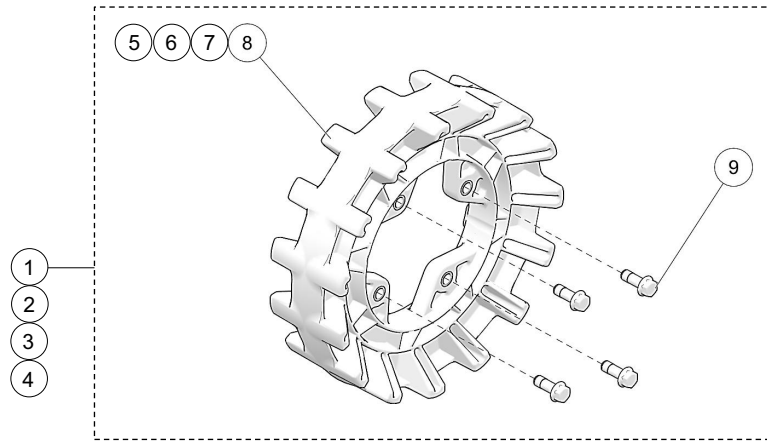


ITEM	PART #	DESCRIPTION	QTY
CAMSO X4S MY2020 :: INDEPENDENT SUSPENSION (IS)			
1	1033-AS-0025	STABILIZ. ROD SHORT BOLT KIT / ENS. BOUL. COURT BRAS STABILIS.	1
2	1033-AS-0075	STABILIZ. ROD LONG BOLT KIT / ENS. BOUL. LONG BRAS STABILIS.	1
3	1036-10-4030	HFSCS, M10-1.5X30, 10.9, ZP, TL, DIN 6921	2
4	1060-00-0004	W, 7/16X1.0X0.072, 8, ZP, USS	2
5	7001-00-7504	S-KIT STABILIZING ROD - ATV / S-KIT BRAS STABILISATEUR - ATV	1

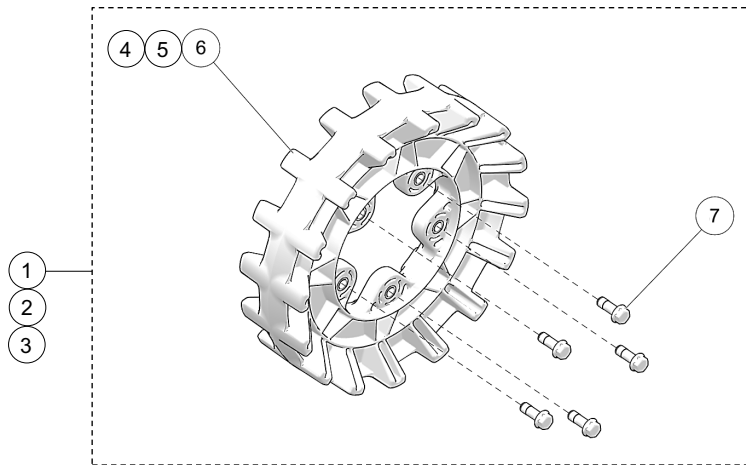
	TORQUE
	THREAD LOCKER



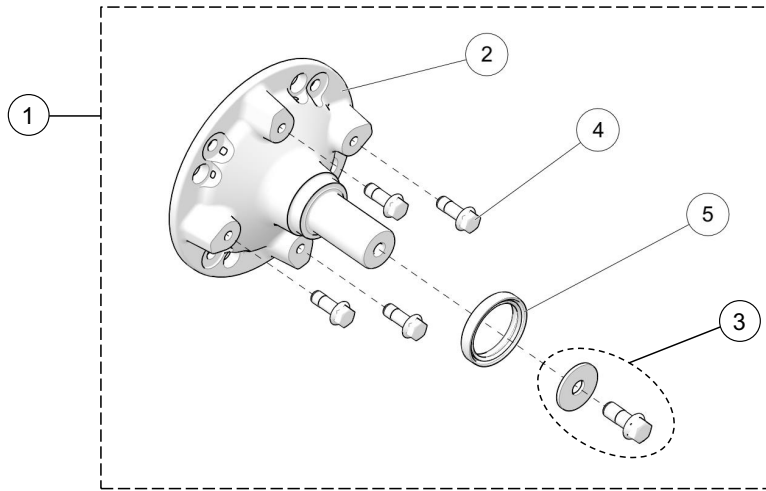
ITEM	PART #	DESCRIPTION	QTY
CAMSO X4S MY2020 :: RIGID SUSPENSION (RS)			
1	1036-10-4030	HFSCS, M10-1.5X30, 10.9, ZP, TL, DIN 6921	2
2	1060-00-0004	W, 7/16X1.0X0.072, 8, ZP, USS	3
3	1080-00-3000	STABILIZ. ARM GUIDE ASSY (RS) / GUIDE BRAS STABILIS. ASS. (SR)	1
4	1093-00-7009	WHEEL SEAL / JOINT D'ÉTANCHÉITÉ -- (25ID X 42OD)	1
5	7050-00-0024	S-KIT - BUSHING RS, STABILIZ. ROD / BAGUE SR, BRAS STABILIS.	1



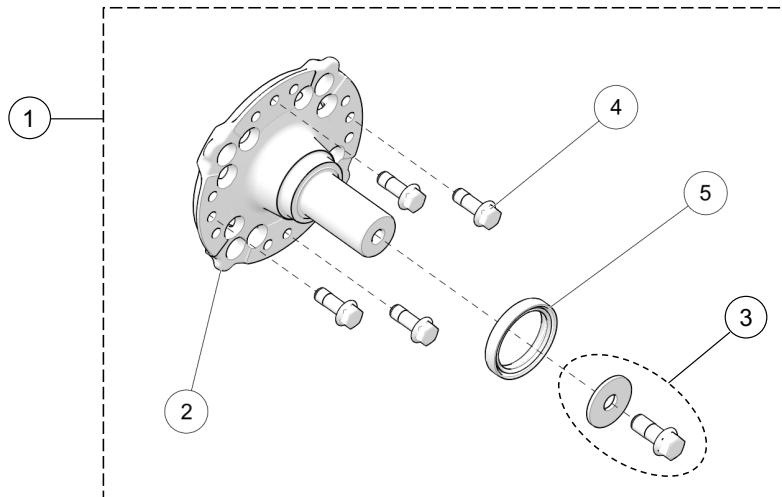
ITEM	PART #	DESCRIPTION	QTY
CAMSO ATV-UTV MY2020 :: 4-BOLT SPROCKET KITS			
1	7009-00-7115	S-KIT 15/4 SPROCKET / BARBOTIN 15/4	1
2	7009-00-7116	S-KIT 16/4 SPROCKET / BARBOTIN 16/4	1
3	7009-00-7117	S-KIT 17/4 SPROCKET / BARBOTIN 17/4	1
4	7009-00-7118	S-KIT 18/4 SPROCKET / BARBOTIN 18/4	1
5	--	SPROCKET 15 TEETH / BARBOTIN 15 DENTS -- T4S	1
6	--	SPROCKET 16 TEETH / BARBOTIN 16 DENTS -- T4S	1
7	--	SPROCKET 17 TEETH / BARBOTIN 17 DENTS -- T4S	1
8	--	SPROCKET 18 TEETH / BARBOTIN 18 DENTS -- T4S	1
9	1036-10-4030	HFSCS, M10-1.5X30, 10.9, ZP, TL, DIN 6921	4



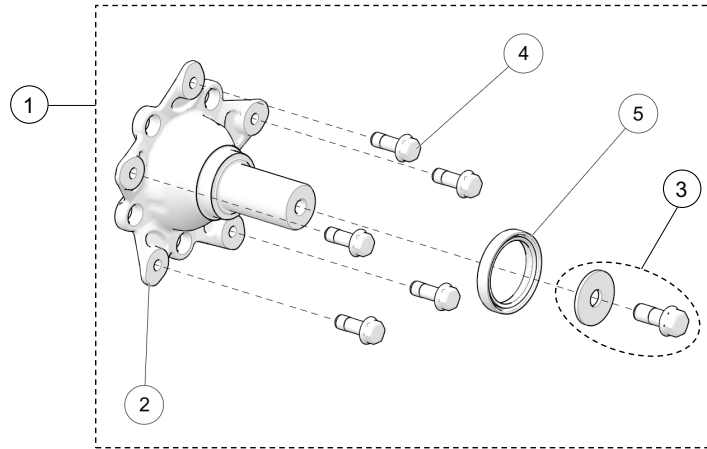
ITEM	PART #	DESCRIPTION	QTY
CAMSO ATV-UTV MY2020 :: 5-BOLT SPROCKET KITS			
1	7009-08-7116	S-KIT 16/5 SPROCKET / BARBOTIN 16/5	1
2	7009-08-7117	S-KIT 17/5 SPROCKET / BARBOTIN 17/5	1
3	7009-08-7118	S-KIT 18/5 SPROCKET / BARBOTIN 18/5	1
4	--	SPROCKET 16 TEETH / BARBOTIN 16 DENTS -- T4S	1
5	--	SPROCKET 17 TEETH / BARBOTIN 17 DENTS -- T4S	1
6	--	SPROCKET 18 TEETH / BARBOTIN 18 DENTS -- T4S	1
7	1036-10-4030	HFSCS, M10-1.5X30, 10.9, ZP, TL, DIN 6921	5



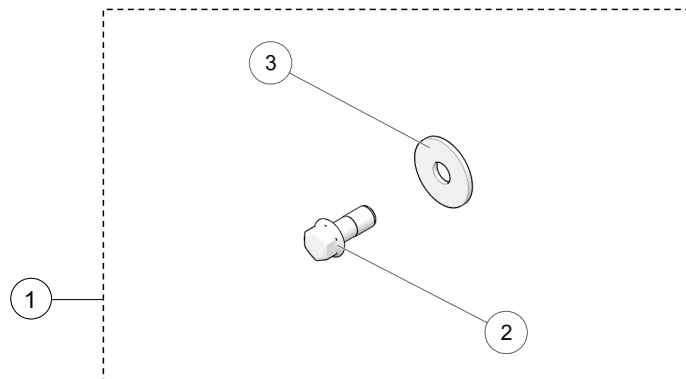
ITEM	PART #	DESCRIPTION	QTY
CAMSO ATV-UTV MY2020 :: S-KIT POLARIS MULTI HUB			
1	7019-05-0070	S-KIT POLARIS MULTI HUB / S-KIT MOYEU MULTI POLARIS	1
2	--	POLARIS MULTI HUB ASS'Y / MOYEU MULTI POLARIS ASS.	1
3	1033-AS-0066	WHEEL HUB BOLT KIT / ENSEMBLE BOULON MOYEU	1
4	1036-10-4030	HFSCS, M10-1.5X30, 10.9, ZP, TL, DIN 6921	4
5	1093-00-7002	DOUBLE LIPS SHAFT SEAL / JOINT ÉTANCHE DOUBLE	1



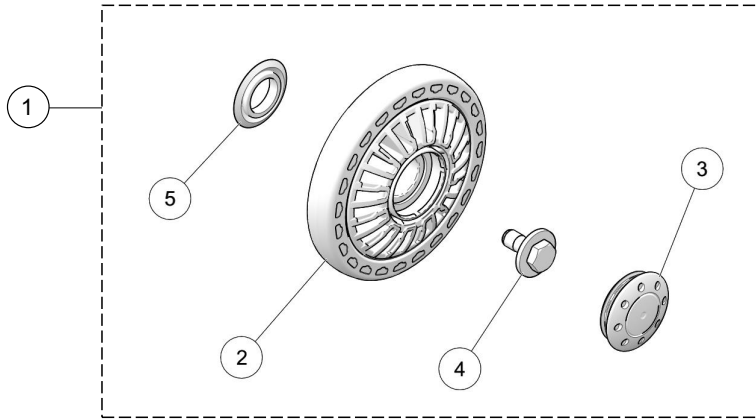
ITEM	PART #	DESCRIPTION	QTY
CAMSO ATV-UTV MY2020 :: S-KIT MULTI MODEL HUB			
1	7019-77-0015	S-KIT MULTI MODEL HUB / S-KIT MOYEU MULTI MODÈLE	1
2	--	MULTI MODEL HUB ASS'Y / MOYEU MULTI MODÈLE ASS.	1
3	1033-AS-0066	WHEEL HUB BOLT KIT / ENSEMBLE BOULON MOYEU	1
4	1036-10-4030	HFSCS, M10-1.5X30, 10.9, ZP, TL, DIN 6921	4
5	1093-00-7002	DOUBLE LIPS SHAFT SEAL / JOINT ÉTANCHE DOUBLE	1



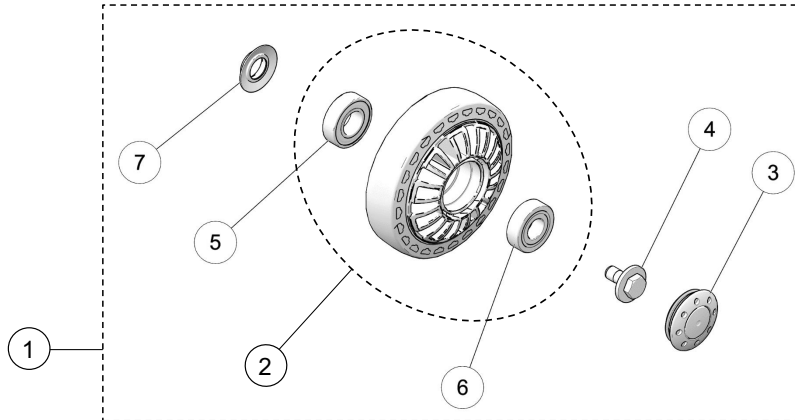
ITEM	PART #	DESCRIPTION	QTY
CAMSO UTV MY2020 :: S-KIT HUB 5 BOLTS			
1	7019-08-0007	S-KIT HUB 5 BOLTS / ENS. ESSIEU 5 BOULONS	1
2	--	5-BOLT PATTERN HUB / ESSIEU 5 BOULONS	1
3	1033-AS-0066	WHEEL HUB BOLT KIT / ENSEMBLE BOULON MOYEU	1
4	1036-10-4030	HFSCS, M10-1.5X30, 10.9, ZP, TL, DIN 6921	5
5	1093-00-7002	DOUBLE LIPS SHAFT SEAL / JOINT ÉTANCHE DOUBLE	1



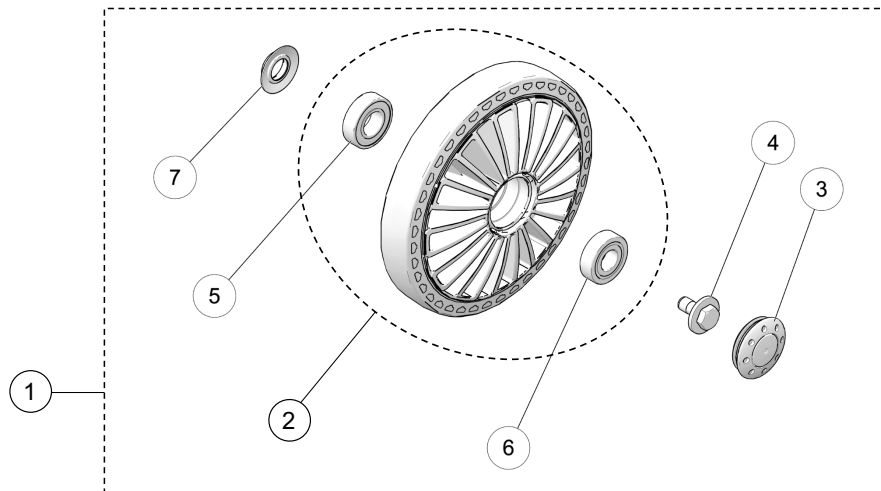
ITEM	PART #	DESCRIPTION	QTY
CAMSO ATV- UTV MY2020 :: WHEEL HUB BOLT KIT			
1	1033-AS-0066	WHEEL HUB BOLT KIT / ENSEMBLE BOULON MOYEU	1
2	--	HFSCS, M12-1.75X30, 10.9, ZP, TL, DIN 6921	1
3	--	W, 1.625, 0.515, 11GA.	1



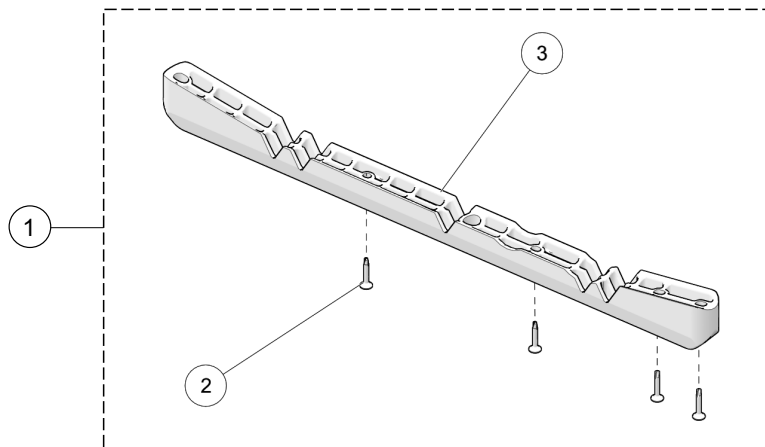
ITEM	PART #	DESCRIPTION	QTY
CAMSO ATV MY2020 :: 134-MM WHEEL KIT			
1	7016-00-0134	REPLACEMENT WHEEL KIT / ROUE REMPLACEMENT -- 134MM-2015	1
2	--	INJECTION ATV WHEEL / ROUE ATV INJ. -- 134 MM	1
3	1017-00-0042	WHEEL CAP / CAP DE ROUE -- 2"	1
4	1033-10-2026	HCSW, M10-1.5X25, 8.8, ZP, TL, DIN933	1
5	1093-00-7009	WHEEL SEAL / JOINT D'ÉTANCHÉITÉ -- (25ID X 42OD)	1



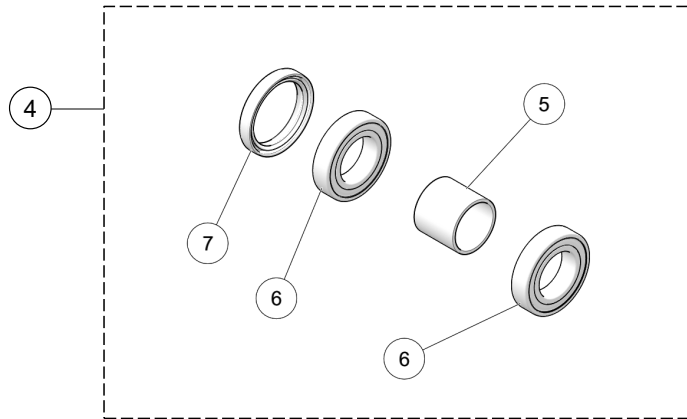
ITEM	PART #	DESCRIPTION	QTY
CAMSO X4S MY2020 :: S-KIT, WHEEL 134MM			
1	7016-00-6134	S-KIT, WHEEL 134MM / S-KIT, ROUE 134MM	1
2	--	134MM INJECTION WHEEL, ASSY / 134MM ROUE INJECTION, ASS.	1
3	1017-00-0042	WHEEL CAP / CAP DE ROUE	1
4	1033-10-2026	HCSW, M10-1.5X25, 8.8, ZP, TL, DIN933	1
5	1090-00-0005	BEARING 6004 / ROULEMENT A BILLES 6004	1
6	1090-00-0007	BEARING 6203 / ROULEMENT A BILLES 6203	1
7	1093-00-7021	SHAFT SEAL / JOINT D'ÉTANCHÉITÉ DE ROUE	1



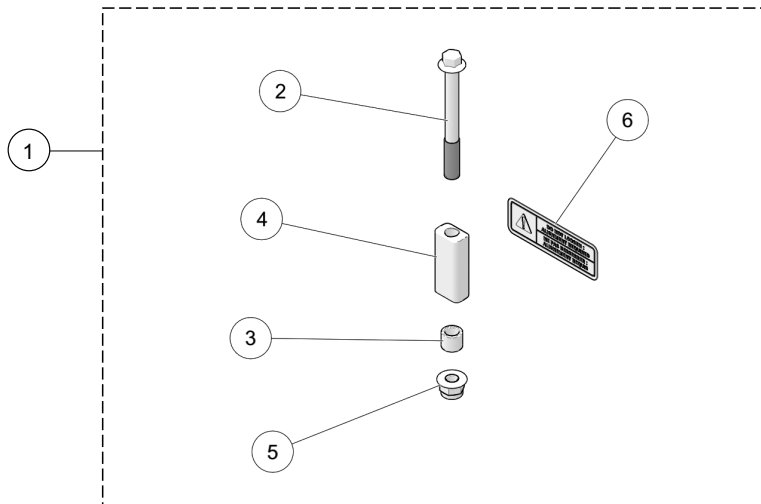
ITEM	PART #	DESCRIPTION	QTY
CAMSO X4S MY2020 :: S-KIT, WHEEL 202MM			
1	7016-00-6202	S-KIT, WHEEL 202MM / S-KIT, ROUE 202MM	1
2	--	202MM INJECTION WHEEL, ASSY / 202MM ROUE INJECTION, ASS.	1
3	1017-00-0042	WHEEL CAP / CAP DE ROUE	1
4	1033-10-2026	HCSW, M10-1.5X25, 8.8, ZP, TL, DIN933	1
5	1090-00-0005	BEARING 6004 / ROULEMENT A BILLES 6004	1
6	1090-00-0007	BEARING 6203 / ROULEMENT A BILLES 6203	1
7	1093-00-7021	SHAFT SEAL / JOINT D'ÉTANCHÉITÉ DE ROUE	1



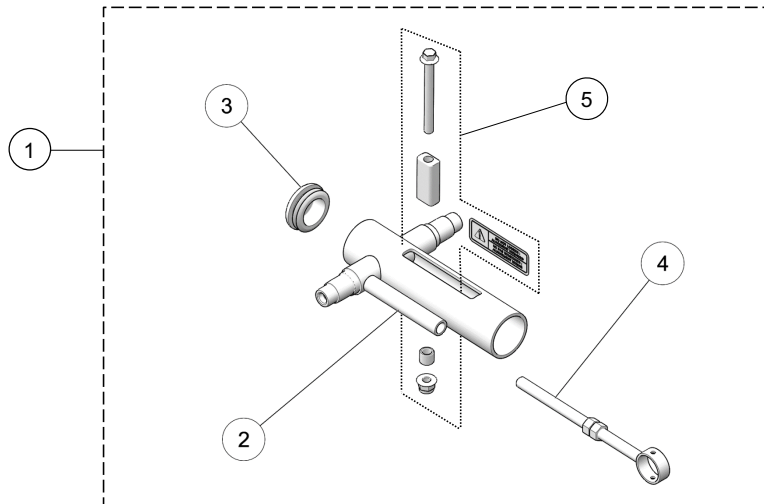
ITEM	PART #	DESCRIPTION	QTY
CAMSO ATV T4S MY2020 :: TRACK GUIDE KIT			
1	7085-00-7010	S-KIT ATV GUIDE / S-KIT GUIDE ATV	1
2	1049-00-0007	SDSQWS, #12-24X1.5, ZP	4
3	--	TRACK GUIDE / GUIDE DE CHENILLE -- ATV T4S	1



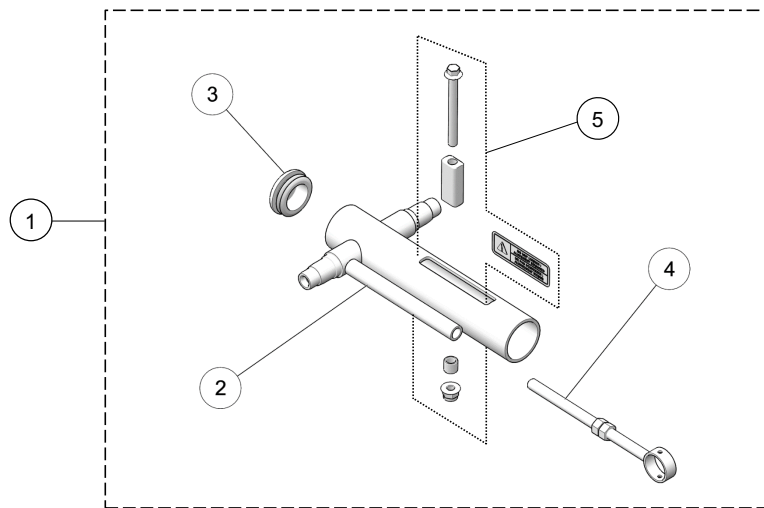
ITEM	PART #	DESCRIPTION	QTY
		CAMSO ATV T4S - ATV R4S MY2020 :: HUB BEARING KIT	
4	7090-00-0001	S-KIT ATV UTV 2 BEARINGS / S-KIT ATV UTV 2 ROULEMENTS	1
5	--	BUSHING SPINDLE HUB / ESPACEUR ROULEMENT	1
6	--	BEARING / ROULEMENT -- 6007	2
7	1093-00-7002	DOUBLE LIPS SHAFT SEAL / JOINT ÉTANCHE DOUBLE	1



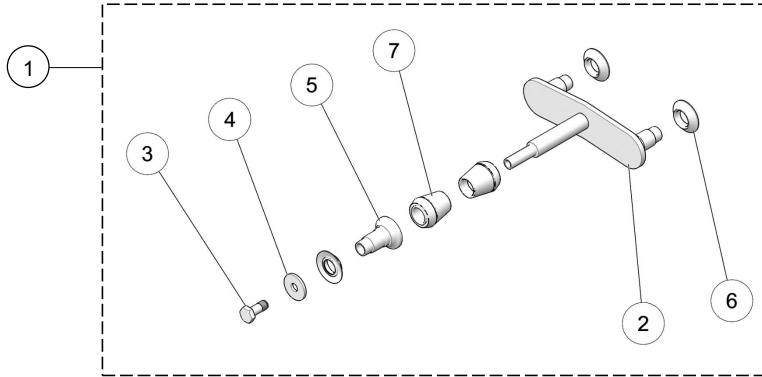
ITEM	PART #	DESCRIPTION	QTY
		CAMSO ATV T4S MY2020 :: TENSIONER BUSHING KIT	
1	7051-00-0112	S-KIT ATV TENSIONER BUSHING / S-KIT BAGUE TENDEUR ATV	1
2	--	HFCS, M8-1.25X80, 10.9, ZP, IFI536	1
3	--	SLIDE BUSHING / ESPACEUR	1
4	--	TENSIONER BUSHING / COUSSINET TENDEUR	1
5	--	FNN, M8-1.25, 10, ZP, DIN6926	1
6	--	STICKER - DO NOT LOOSEN / DÉCALQUE - NE PAS DESSERRER	1



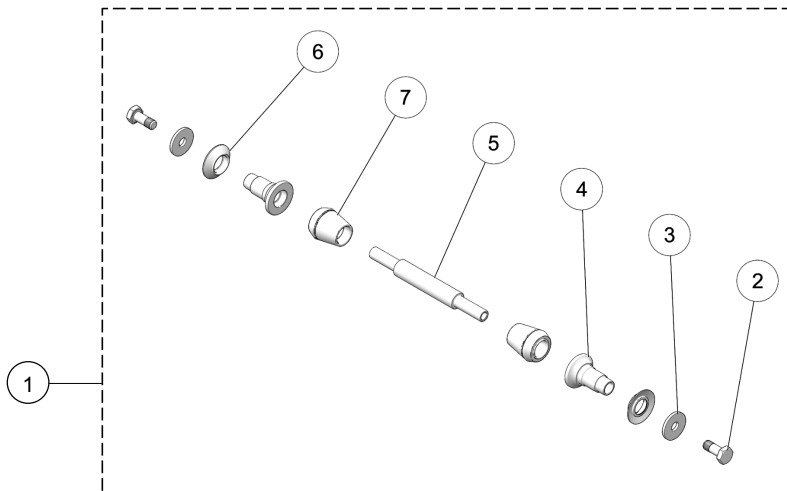
ITEM	PART #	DESCRIPTION	QTY
		CAMSO X4S MY2020 :: SHORT TRACK TENSIONER KIT	
1	7014-00-6022	S-KIT, SHORT TRACK TENSIONER / S-KIT, TENDEUR CHENILLE COURT	1
2	--	TRACK TENSIONER, SHORT / TENDEUR CHENILLE, COURT	1
3	1017-00-0001	FRAME TAIL PLASTIC CAP / CAP DE QUEUE DE CADRE	1
4	1082-00-7050	TENSIONER ROD & NUTS ASS. / TIGE TENDEUR & ÉCROUS ASS.	1
5	7051-00-0112	S-KIT ATV TENSIONER BUSHING / S-KIT BAGUE TENDEUR ATV	1



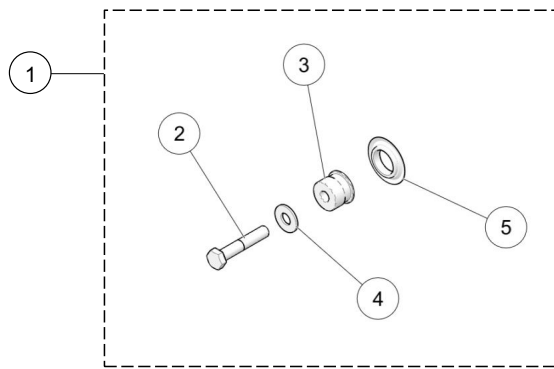
ITEM	PART #	DESCRIPTION	QTY
		CAMSO X4S MY2020 :: LONG TRACK TENSIONER KIT	
1	7014-00-6122	S-KIT, LONG TRACK TENSIONER / S-KIT, TENDEUR CHENILLE LONG	1
2	--	TRACK TENSIONER, LONG / TENDEUR CHENILLE, LONG	1
3	1017-00-0001	FRAME TAIL PLASTIC CAP / CAP DE QUEUE DE CADRE	1
4	1082-00-7050	TENSIONER ROD & NUTS ASS. / TIGE TENDEUR & ÉCROUS ASS.	1
5	7051-00-0112	S-KIT ATV TENSIONER BUSHING / S-KIT BAGUE TENDEUR ATV	1



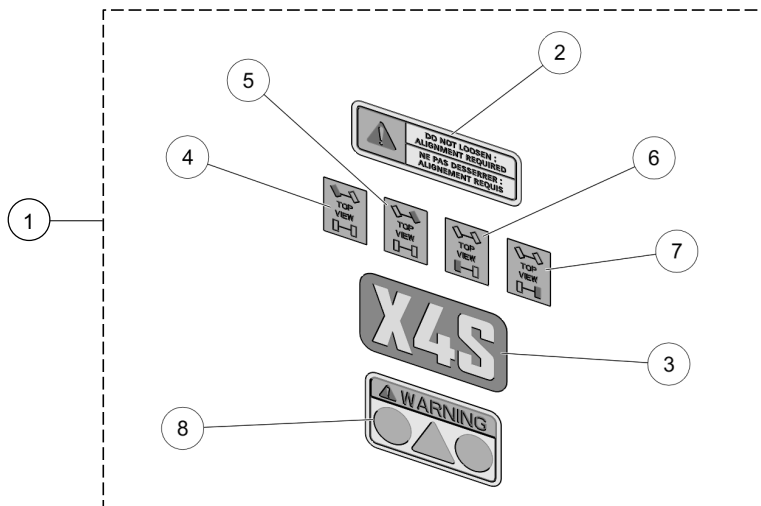
ITEM	PART #	DESCRIPTION	QTY
		CAMSO X4S MY2020 :: STABILIZER KIT	
1	7015-00-7120	S-KIT, STABILIZER / S-KIT, STABILISATEUR ARRIÈRE	1
2	--	STABILIZER ASSY / STABILISATEUR ASSEMBLÉ	1
3	1033-10-A025	HCS, M10-1.5X25, 10.9, ZP, TL, DIN933	1
4	1060-38-0114	WASHER / RONDELLE -- 3/8X1-1/4, 0.120, ZP	1
5	--	WHEEL AXLE, STABILIZER / AXE DE ROUE, STABILISATEUR	1
6	1093-00-7021	SHAFT SEAL / JOINT DE ROUE	3
7	1093-00-7045	URETHANE CONE, STABILIZER / CÔNE URÉTHANE, STABILISATEUR	2



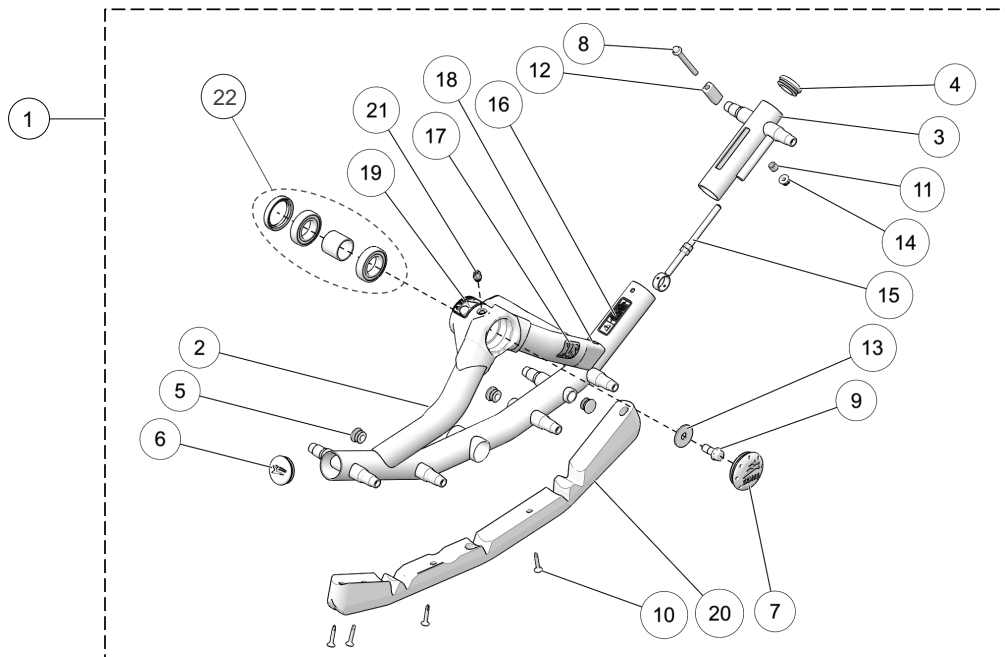
ITEM	PART #	DESCRIPTION	QTY
		CAMSO X4S MY2020 :: REAR AXLE STABILIZER KIT	
1	7082-00-7014	S-KIT, REAR AXLE STABILIZER / S-KIT, AXE STABILISATEUR ARRIÈRE	1
2	1033-10-A025	HCS, M10-1.5X25, 10.9, ZP, TL, DIN933	2
3	1060-38-0114	WASHER / RONDELLE -- 3/8X1-1/4, 0.120, ZP	2
4	--	WHEEL AXLE, STABILIZER / AXE DE ROUE, STABILISATEUR	2
5	--	AXLE, SHAFT DAMPER / AXE, ARBRE AMORTISSEUR	1
6	1093-00-7021	SHAFT SEAL / JOINT DE ROUE	2
7	1093-00-7045	URETHANE CONE, STABILIZER / CÔNE URÉTHANE, STABILISATEUR	2



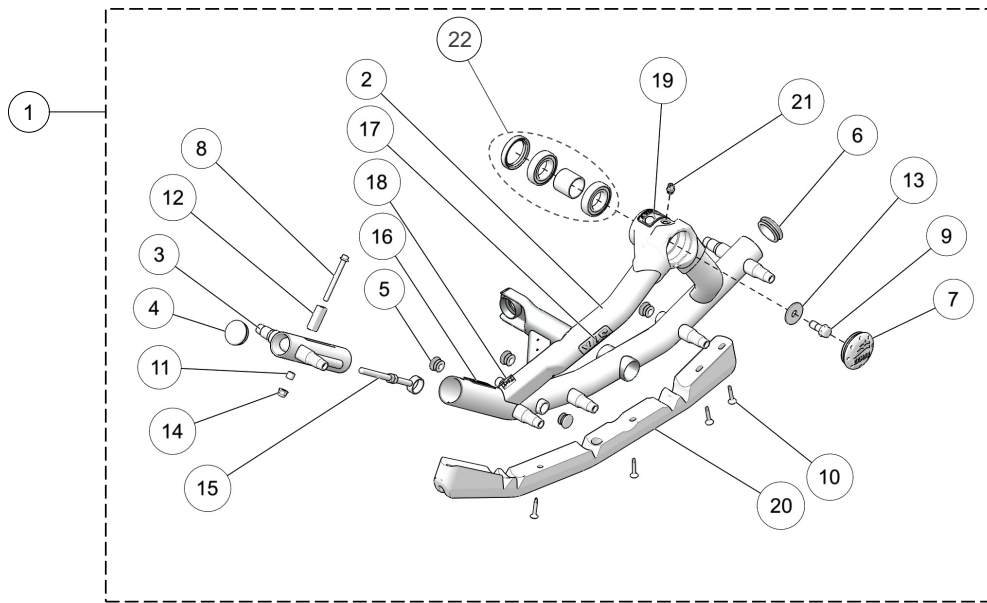
ITEM	PART #	DESCRIPTION	QTY
CAMSO ATV MY2020 :: BUSHING KIT, RIGID SUSPENSION			
1	7051-00-0060	S-KIT BUSHING RIGID SUSPENSION - ATV / BAGUE SUSP. RIGIDE - ATV	1
2	1033-10-0055	HCS, M10-1.5X55, 8.8, ZP, DIN931	1
3	--	SPACER WHEEL ASSY / ESPACEUR ROUE -- Ø202MM	1
4	1060-00-0004	W, 7/16X1.0X0.072, 8, ZP, USS	1
5	1093-00-7009	WHEEL SEAL / JOINT D'ÉTANCHÉITÉ -- (25ID X 42OD)	1



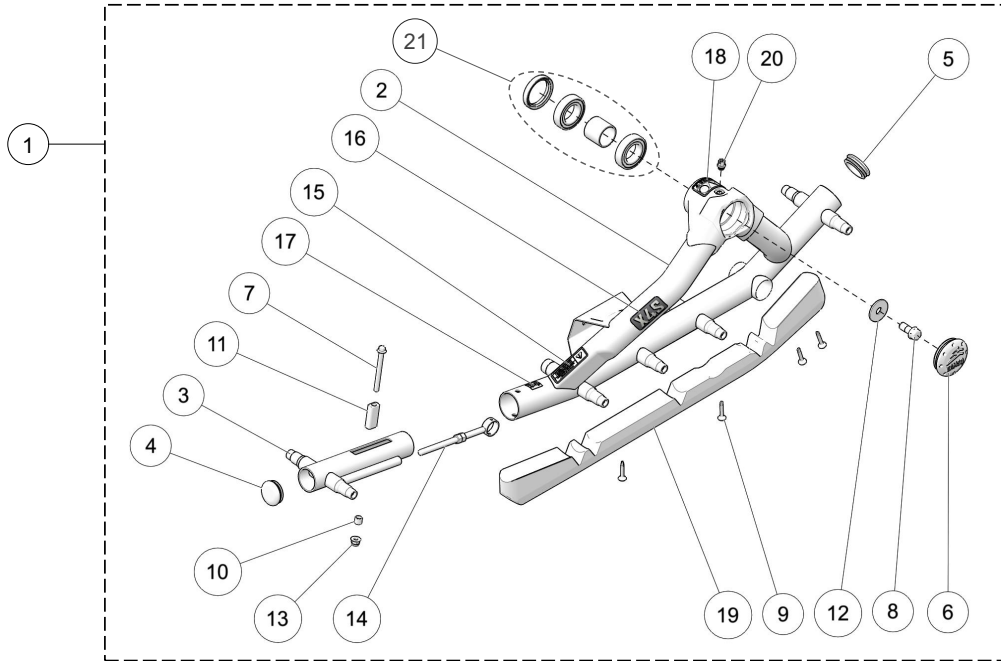
ITEM	PART #	DESCRIPTION	QTY
CAMSO X4S MY2020 :: DECALS			
1	7083-00-6007	S-KIT, DECAL CAMSO X4S - 1 TRACK / DÉCALQUE, CAMSO X4S - 1 CHENILLE	1
2	--	STICKER - DO NOT LOOSEN / DÉCALQUE - NE PAS DESSERRER	1
3	--	STICKER - CAMSO X4S / DÉCALQUE - CAMSO X4S	1
4	--	STICKER, FRONT LEFT PICTOGRAM / DÉCALQUE PICTOGRAMME AVG	1
5	--	STICKER, FRONT RIGHT PICTOGRAM / DÉCALQUE PICTOGRAMME AVD	1
6	--	STICKER, REAR LEFT PICTOGRAM / DÉCALQUE PICTOGRAMME ARG	1
7	--	STICKER, REAR RIGHT PICTOGRAM / DÉCALQUE PICTOGRAMME ARD	1
8	--	STICKER WARNING / AUTOCOLLANT AVERTISSEMENT	1



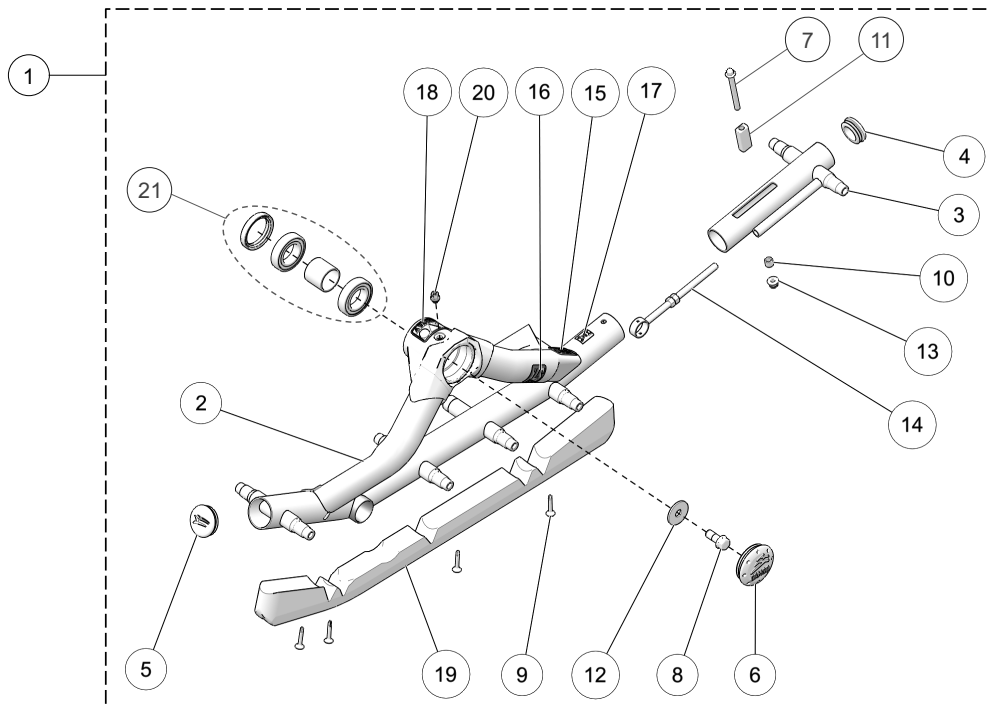
ITEM	PART #	DESCRIPTION	QTY
		CAMSO X4S MY2020 :: FRONT RIGHT FRAME	
1	7010-00-6022	S-KIT, FRAME FR CAMSO X4S / S-KIT, CHÂSSIS AVD CAMSO X4S	1
2	--	FRONT FRAME, RH / CHASSIS AVANT, DR	1
3	--	TENSIONER / TENDEUR	1
4	1017-00-0001	FRAME TAIL PLASTIC CAP / CAP DE QUEUE DE CADRE	1
5	1017-00-0005	PLASTIC WHEEL CAP 1" / CAP DE ROUE DE 1"	4
6	1017-00-0010	PLASTIC FRAME CAP 2" / CAP DE CADRE 2"	1
7	1017-00-7150	HUB CAP CAMSO ASS'Y / CAP MOYEU CAMSO ASS.	1
8	--	HFCS, M8-1.25X80, 10.9, ZP, IFI536	1
9	--	HFSCS, M12-1.75X30, 10.9, ZP, TL, DIN 6921	1
10	1049-00-0007	SDSQWS, #12-24X1.5, ZP	4
11	--	SLIDE BUSHING / ESPACEUR	1
12	--	TENSIONER BUSHING / COUSSINET TENDEUR	1
13	--	W, 1.625, 0.515, 11GA.	1
14	--	FNN, M8-1.25, 10, ZP, DIN6926	1
15	1082-00-7050	TENSIONER ROD & NUTS ASS. / TIGE TENDEUR & ÉCROUS ASS.	1
16	--	STICKER - DO NOT LOOSEN / DÉCALQUE - NE PAS DESSERRER	1
17	--	STICKER - CAMSO X4S / DÉCALQUE - CAMSO X4S	1
18	--	STICKER, FRONT RIGHT PICTOGRAM / DÉCALQUE PICTOGRAMME AVD	1
19	--	STICKER WARNING / AUTOCOLLANT AVERTISSEMENT	1
20	--	TRACK GUIDE / GUIDE DE CHENILLE -- ATV T4S	1
21	1433-10-0001	HHP, M10-1	1
22	7090-00-0001	S-KIT ATV UTV 2 BEARINGS / S-KIT ATV UTV 2 ROULEMENTS	1



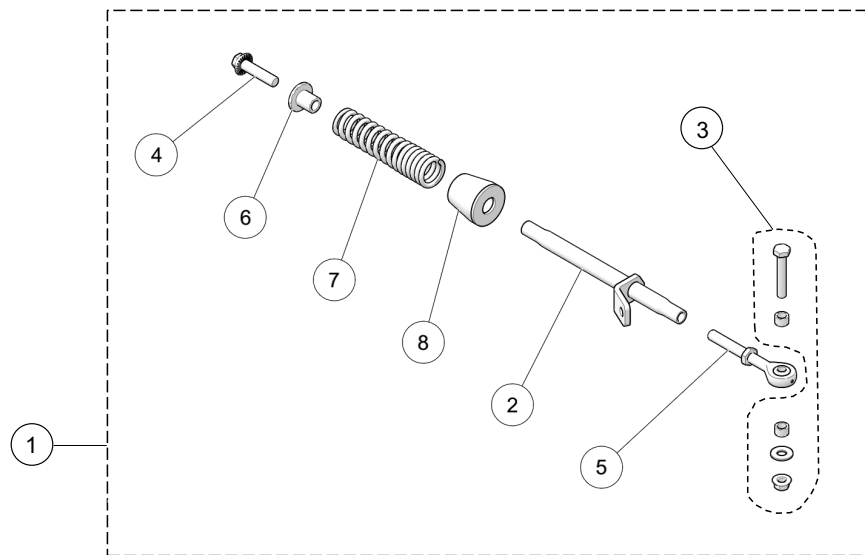
ITEM	PART #	DESCRIPTION	QTY
		CAMSO X4S MY2020 :: FRONT LEFT FRAME	
1	7011-00-6022	S-KIT, FRAME FL CAMSO X4S / S-KIT, CHÂSSIS AVG CAMSO X4S	1
2	--	FRONT FRAME, LH / CHASSIS AVANT, GA	1
3	--	TENSIONER / TENDEUR	1
4	1017-00-0001	FRAME TAIL PLASTIC CAP / CAP DE QUEUE DE CADRE	1
5	1017-00-0005	PLASTIC WHEEL CAP 1" / CAP DE ROUE DE 1"	4
6	1017-00-0010	PLASTIC FRAME CAP 2" / CAP DE CADRE 2"	1
7	1017-00-7150	HUB CAP CAMSO ASS'Y / CAP MOYEU CAMSO ASS.	1
8	--	HFCS, M8-1.25X80, 10.9, ZP, IFI536	1
9	--	HFSCS, M12-1.75X30, 10.9, ZP, TL, DIN 6921	1
10	1049-00-0007	SDSQWS, #12-24X1.5, ZP	4
11	--	SLIDE BUSHING / ESPACEUR	1
12	--	TENSIONER BUSHING / COUSSINET TENDEUR	1
13	--	W, 1.625, 0.515, 11GA.	1
14	--	FNN, M8-1.25, 10, ZP, DIN6926	1
15	1082-00-7050	TENSIONER ROD & NUTS ASS. / TIGE TENDEUR & ÉCROUS ASS.	1
16	--	STICKER - DO NOT LOOSEN / DÉCALQUE - NE PAS DESSERRER	1
17	--	STICKER - CAMSO X4S / DÉCALQUE - CAMSO X4S	1
18	--	STICKER, FRONT LEFT PICTOGRAM / DÉCALQUE PICTOGRAMME AVG	1
19	--	STICKER WARNING / AUTOCOLLANT AVERTISSEMENT	1
20	--	TRACK GUIDE / GUIDE DE CHENILLE -- ATV T4S	1
21	1433-10-0001	HHP, M10-1	1
22	7090-00-0001	S-KIT ATV UTV 2 BEARINGS / S-KIT ATV UTV 2 ROULEMENTS	1



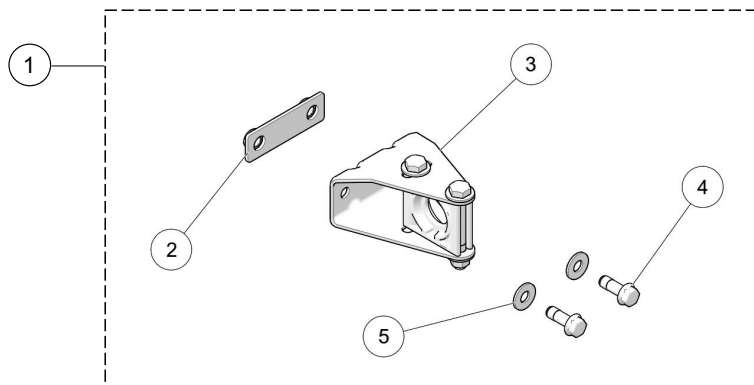
ITEM	PART #	DESCRIPTION	QTY
		CAMSO X4S MY2020 :: REAR RIGHT FRAME	
1	7012-00-6022	S-KIT, FRAME RR CAMSO X4S / S-KIT, CHÂSSIS ARD CAMSO X4S	1
2	--	REAR FRAME, RR / CHASSIS ARRIÈRE, DR	1
3	--	TENSIONER / TENDEUR	1
4	1017-00-0001	FRAME TAIL PLASTIC CAP / CAP DE QUEUE DE CADRE	1
5	1017-00-0010	PLASTIC FRAME CAP 2" / CAP DE CADRE 2"	1
6	1017-00-7150	HUB CAP CAMSO ASS'Y / CAP MOYEU CAMSO ASS.	1
7	--	HFCS, M8-1.25X80, 10.9, ZP, IFI536	1
8	--	HFSCS, M12-1.75X30, 10.9, ZP, TL, DIN 6921	1
9	1049-00-0007	SDSQWS, #12-24X1.5, ZP	4
10	--	SLIDE BUSHING / ESPACEUR	1
11	--	TENSIONER BUSHING / COUSSINET TENDEUR	1
12	--	W, 1.625, 0.515, 11GA.	1
13	--	FNN, M8-1.25, 10, ZP, DIN6926	1
14	1082-00-7050	TENSIONER ROD & NUTS ASS. / TIGE TENDEUR & ÉCROUS ASS.	1
15	--	STICKER - DO NOT LOOSEN / DÉCALQUE - NE PAS DESSERRER	1
16	--	STICKER - CAMSO X4S / DÉCALQUE - CAMSO X4S	1
17	--	STICKER, REAR RIGHT PICTOGRAM / DÉCALQUE PICTOGRAMME ARD	1
18	--	STICKER WARNING / AUTOCOLLANT AVERTISSEMENT	1
19	--	TRACK GUIDE / GUIDE DE CHENILLE -- ATV T4S	1
20	1433-10-0001	HHP, M10-1	1
21	7090-00-0001	S-KIT ATV UTV 2 BEARINGS / S-KIT ATV UTV 2 ROULEMENTS	1



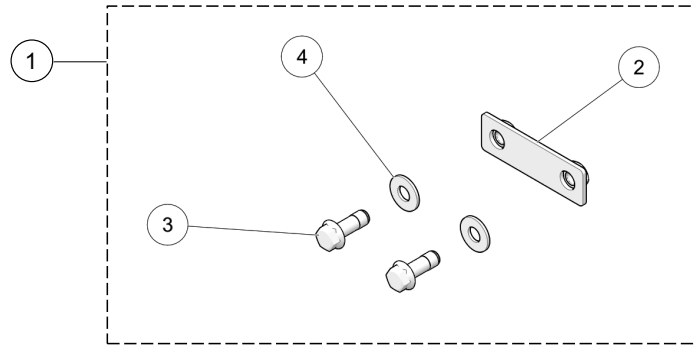
ITEM	PART #	DESCRIPTION	QTY
		CAMSO X4S MY2020 :: REAR LEFT FRAME	
1	7013-00-6022	S-KIT, FRAME RL CAMSO X4S / S-KIT, CHÂSSIS ARG CAMSO X4S	1
2	--	REAR FRAME, RL / CHASSIS ARRIÈRE, GA	1
3	--	TENSIONER / TENDEUR	1
4	1017-00-0001	FRAME TAIL PLASTIC CAP / CAP DE QUEUE DE CADRE	1
5	1017-00-0010	PLASTIC FRAME CAP 2" / CAP DE CADRE 2"	1
6	1017-00-7150	HUB CAP CAMSO ASS'Y / CAP MOYEU CAMSO ASS.	1
7	--	HFCS, M8-1.25X80, 10.9, ZP, IFI536	1
8	--	HFSCS, M12-1.75X30, 10.9, ZP, TL, DIN 6921	1
9	1049-00-0007	SDSQWS, #12-24X1.5, ZP	4
10	--	SLIDE BUSHING / ESPACEUR	1
11	--	TENSIONER BUSHING / COUSSINET TENDEUR	1
12	--	W, 1.625, 0.515, 11GA.	1
13	--	FNN, M8-1.25, 10, ZP, DIN6926	1
14	1082-00-7050	TENSIONER ROD & NUTS ASS. / TIGE TENDEUR & ÉCROUS ASS.	1
15	--	STICKER - DO NOT LOOSEN / DÉCALQUE - NE PAS DESSERRER	1
16	--	STICKER - CAMSO X4S / DÉCALQUE - CAMSO X4S	1
17	--	STICKER, REAR LEFT PICTOGRAM / DÉCALQUE PICTOGRAMME ARG	1
18	--	STICKER WARNING / AUTOCOLLANT AVERTISSEMENT	1
19	--	TRACK GUIDE / GUIDE DE CHENILLE -- ATV T4S	1
20	1433-10-0001	HHP, M10-1	1
21	7090-00-0001	S-KIT ATV UTV 2 BEARINGS / S-KIT ATV UTV 2 ROULEMENTS	1



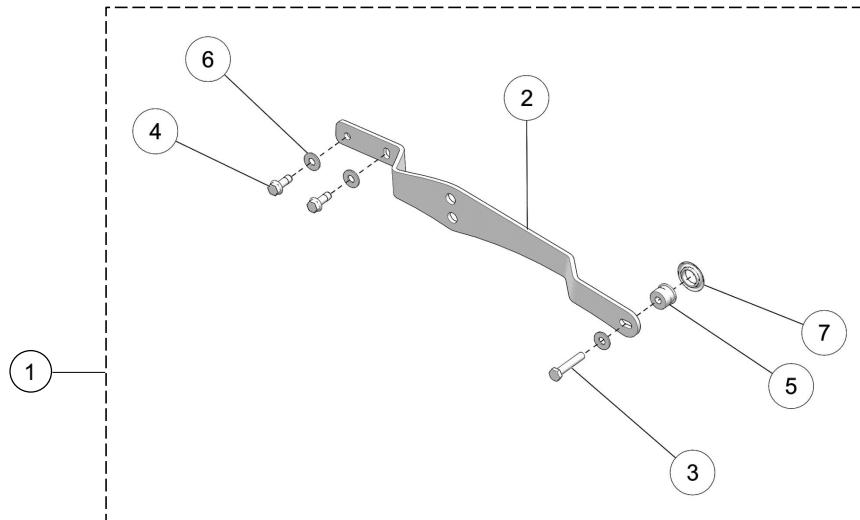
ITEM	PART #	DESCRIPTION	QTY
		CAMSO ATV T4S MY2020 :: STABILIZING ROD, ATV	
1	7001-00-7504	S-KIT STABILIZING ROD - ATV / S-KIT BRAS STABILISATEUR - ATV	1
2	--	SHORT ANTI-ROTATION ROD / TIGE ANTI-ROTATION COURTE	1
3	1033-AS-0025	STABILIZ. ROD SHORT BOLT KIT / ENS. BOUL. COURT BRAS STABIL.	1
4	1036-12-D050	HFSCS, M12-1.75X50, 8.8, ZP, FULL THREAD	1
5	1047-12-1090	X-LONG ROD END / TIGE À OEIL X-LONGUE	1
6	1050-00-0081	T-BUSHING / BAGUE EN T	1
7	1080-00-0054	COMPRESSION SPRING / RESSORT COMPRESSION - 138/285 LBS/IN	1
8	1093-00-7050	RUBBER DAMPER / AMORTISSEUR DE CAOUTCHOUC	1



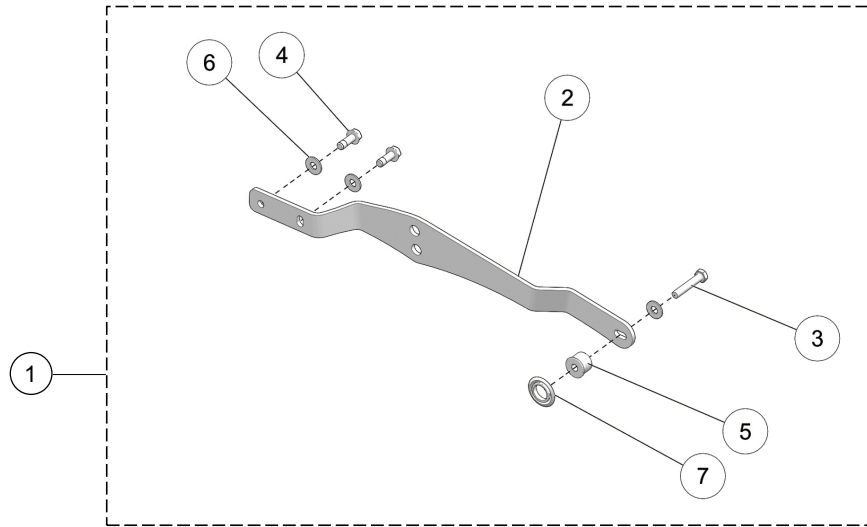
ITEM	PART #	DESCRIPTION	QTY
		CAMSO ATV-UTV 2020 :: ANTI-ROTATION, INDEPENDENT SUSPENSION	
1	7015-00-8250	S-KIT ANTI-ROTATION IND. SUSPENSION / S-KIT ANTIROT. SUSP. IND.	1
2	--	BACK PLATE / PLAQUE DE FIXATION	1
3	--	ANTI-ROTATION BRACKET IND SUSP / ATTACHE ANTI-ROTATION SI	1
4	1036-10-4030	HFSCS, M10-1.5X30, 10.9, ZP, TL, DIN 6921	2
5	1060-00-0004	W, 7/16X1.0X0.072, 8, ZP, USS	2



ITEM	PART #	DESCRIPTION	QTY
		CAMSO ATV-UTV MY2020 :: BACK PLATE	
1	7015-00-7026	S-KIT ANTI-ROTATION IND. SUSPENSION / S-KIT ANTIROT. SUSP. IND.	1
2	--	BACK PLATE / PLAQUE DE FIXATION	1
3	1036-10-4030	HFSCS, M10-1.5X30, 10.9, ZP, TL, DIN 6921	2
4	1060-00-0004	W, 7/16X1.0X0.072, 8, ZP, USS	2



ITEM	PART #	DESCRIPTION	QTY
		CAMSO X4S 2020 :: LH ANTI-ROTATION BRACKET, RIGID SUSPENSION	
1	7015-00-6008	S-KIT, ANTI-ROT., LH - BRACKET RS / ATTACHE GA - ANTI-ROT. SR	1
2	--	LH ANTI-ROTATION BRACKET (RS) / ANCRAGE ANTI-ROTAT. GA (SR)	1
3	1033-10-0055	HCS, M10-1.5X55, 8.8, ZP, DIN931	1
4	1036-10-4030	HFSCS, M10-1.5X30, 10.9, ZP, TL, DIN 6921	2
5	--	SPACER WHEEL Ø202MM ASSY / ESPACEUR ROUE Ø202MM	1
6	1060-00-0004	W, 7/16X1.0X0.072, 8, ZP, USS	3
7	1093-00-7009	WHEEL SEAL / JOINT D'ÉTANCHÉITÉ -- (25ID X 42OD)	1



ITEM	PART #	DESCRIPTION	QTY
		CAMSO X4S 2020 :: RH ANTI-ROTATION BRACKET, RIGID SUSPENSION	
1	7015-00-6018	S-KIT, ANTI-ROT., RH - BRACKET RS / ATTACHE DR - ANTI-ROT. SR	1
2	--	RH ANTI-ROTATION BRACKET (RS) / ANCRAGE ANTI-ROTAT. DR (SR)	1
3	1033-10-0055	HCS, M10-1.5X55, 8.8, ZP, DIN931	1
4	1036-10-4030	HFSCS, M10-1.5X30, 10.9, ZP, TL, DIN 6921	2
5	--	SPACER WHEEL Ø202MM ASSY / ESPACEUR ROUE Ø202MM	1
6	1060-00-0004	W, 7/16X1.0X0.072, 8, ZP, USS	3
7	1093-00-7009	WHEEL SEAL / JOINT D'ÉTANCHÉITÉ -- (25ID X 42OD)	1