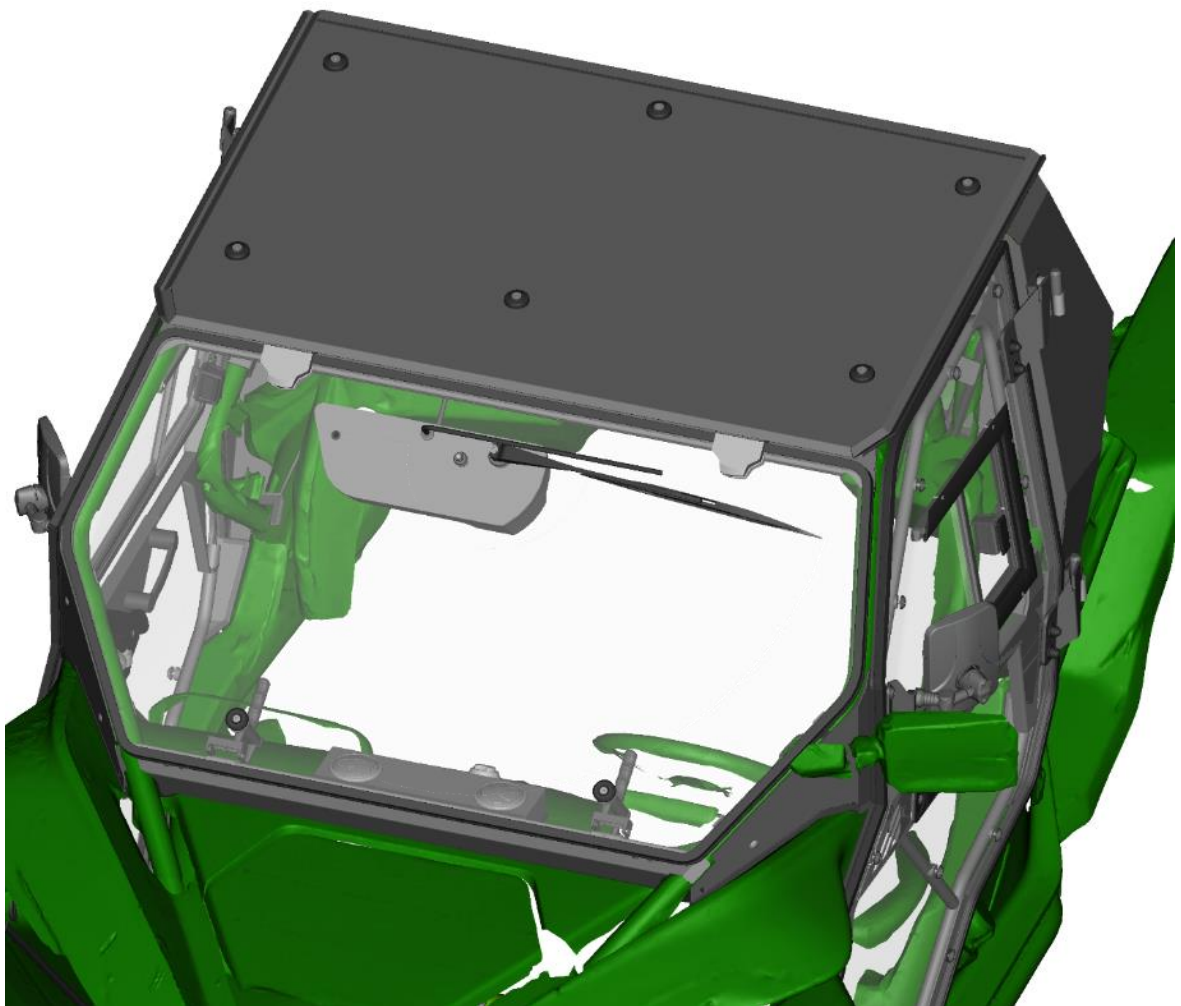




INSTALLATION INSTRUCTIONS

CF MOTO
Z FORCE 950/1000



SAFETY INSTRUCTIONS

Warning: Failure to heed all safety and operating instructions and warnings regarding use of this product can result in serious bodily injury.

READ PROPERLY COMPLETE ASSEMBLY INSTRUCTIONS BEFORE STARTING OF ASSEMBLY

Install all parts indicated in assembly instructions. Failure to fully assemble product before use could result in personal injury.

Assembly of product requires use of hand or power tools. If you are not experienced in using these types of tools, have product dealer do the install for you.

Some parts contain sharp edges, wear protective gloves if necessary.

Always keep your assembly area clean, uncluttered and well lit.

Keep visitors and children a safe distance away from the assembly area. Visitors should wear the same safety equipment described under.

Never operate your UTV with the cab doors open. Failure to properly latch the doors before moving the vehicle could result in serious injury.

Dress for safety. DO NOT wear loose clothing, gloves, neckties or jewelry if using power tools to assemble this product.

Insert all nut covers after you finish installation.

Never drive your UTV with the cab front window in open position. Failure to properly latch/lock front window before driving the vehicle could result in serious injury.

Please be careful not to break the plastic washers, if you're tightening screws with plastic washers use max torque of 3.7 foot-pound force (5 Nm)!!!

WARNING: For safety purposes, if the DFK Cab doors are removed, it is mandatory that the OEM manufactured Half Doors or Nets are **REINSTALLED** before operating the vehicle.

MAINTENANCE AND CLEANING

To clean polycarbonate surface use soapy water solution or other subtle means.

Dirt and dust wash by gently water stream and swipe only with wet or damp means in the direction from top to bottom.

The recommended frequency of cleaning of polycarbonate part is about 1 time per month or according to the actual degree of pollution.

*Do not use detergents that could scratch the surface plates.
(abrasives, harsh fabrics, etc.)*

*Do not use solvents or alkaline detergents or cleaners with ammonia
(ammonium hydroxide).*

Do not remove the impurities from the surface of the razor blades or other sharp items.

Do not clean cabin when the polycarbonate plates are heated by the sun.

Do not use the squeegee, it could be scratched surface plates.

Do not clean the water current strength greater than 50 bar (WAP)

The manufacturer is not responsible for scratching the surface in case of failure to comply with the above instructions.

All bolted connections of cab must be by user at regular intervals checked and tightened.

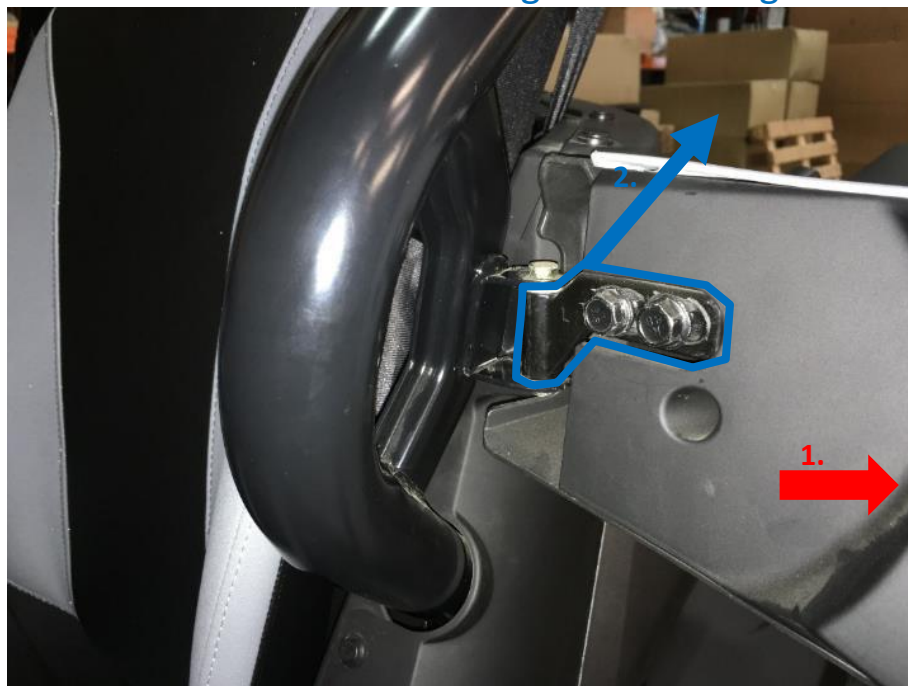
PREPARATION FOR INSTALLATION:

Uninstall all additional systems from the roller cages (work lights, rear mirrors, drink holders etc.) Uninstall original door on both side.



It is strongly recommended to take out the door from the hinges and then uninstall door hinge from vehicle.

Detail view onto the original door hinge.

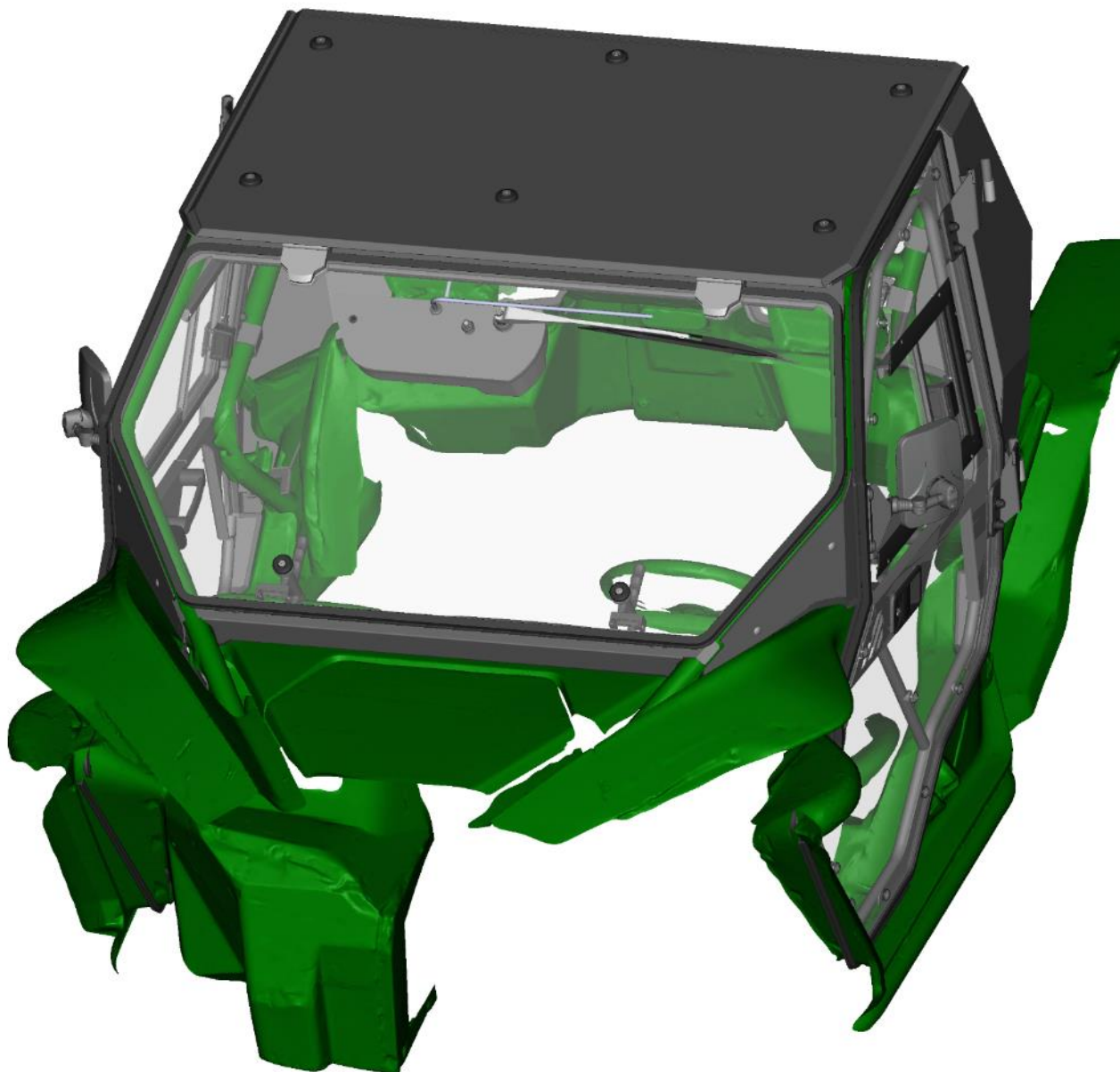


Uninstall the original door stop assembly from both sides.



SAVE THE ORIGINAL DOOR, HINGES AND DOOR STOP.

5

CAB PREVIEW

6

HEATER INSTALLATION

Uninstall the floor tunnel cover. SEE NEXT PAGES



Take out the the side cover of the floor tunnel.



VIEW ONTO THE ORIGINAL FIXING POINTS



VIEW ONTO THE ORIGINAL FIXING POINTS



VIEW ONTO THE ORIGINAL FIXING POINTS



DETAIL VIEW ONTO UNMOUNTED GEAR SHIFT HEAD



Place the first part of the heater holder on the UTV frame inside the central tunnel.



10

Attach the bracket with the holder, washer and screw.



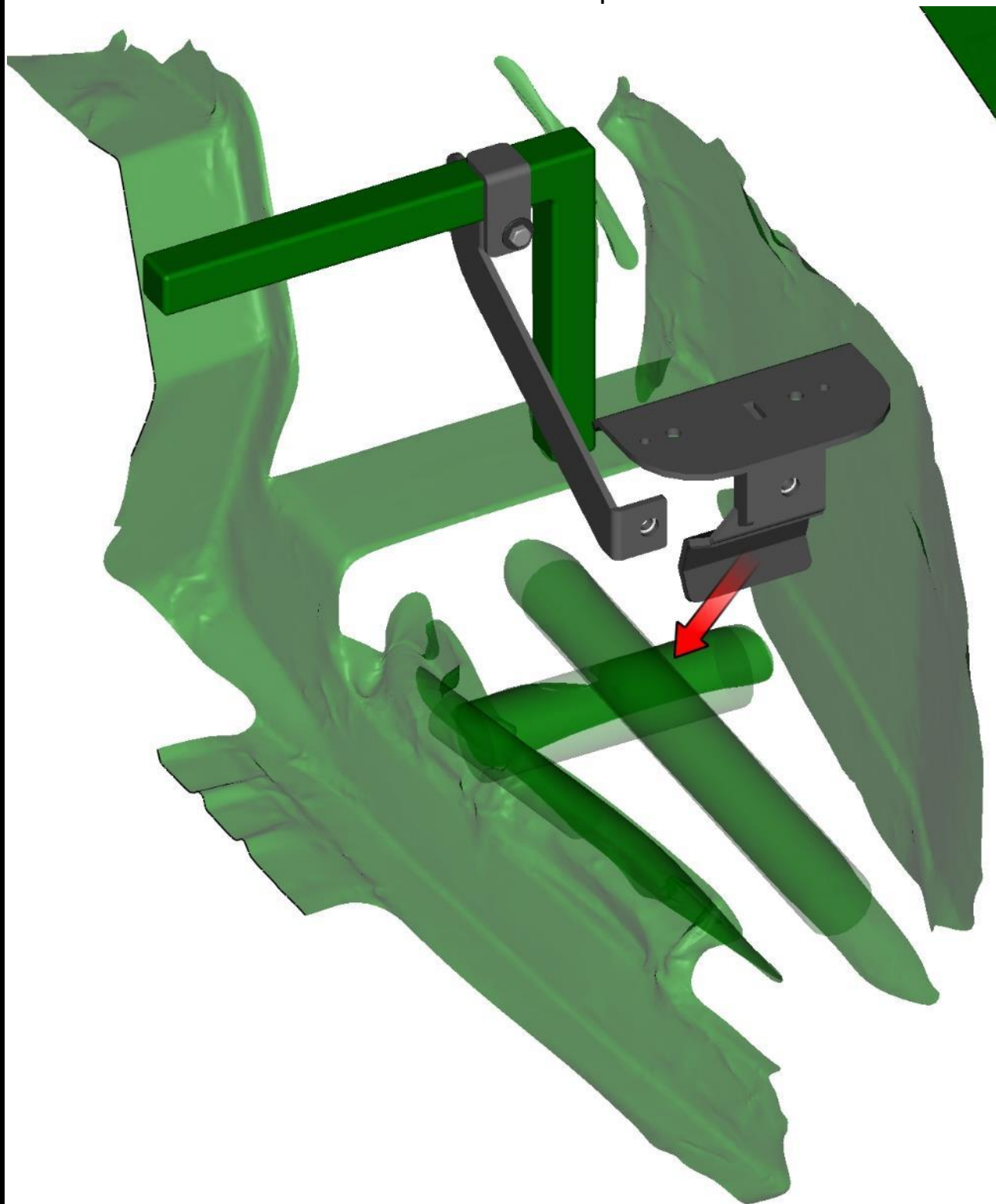
11

View on installed first part of the heater holder.



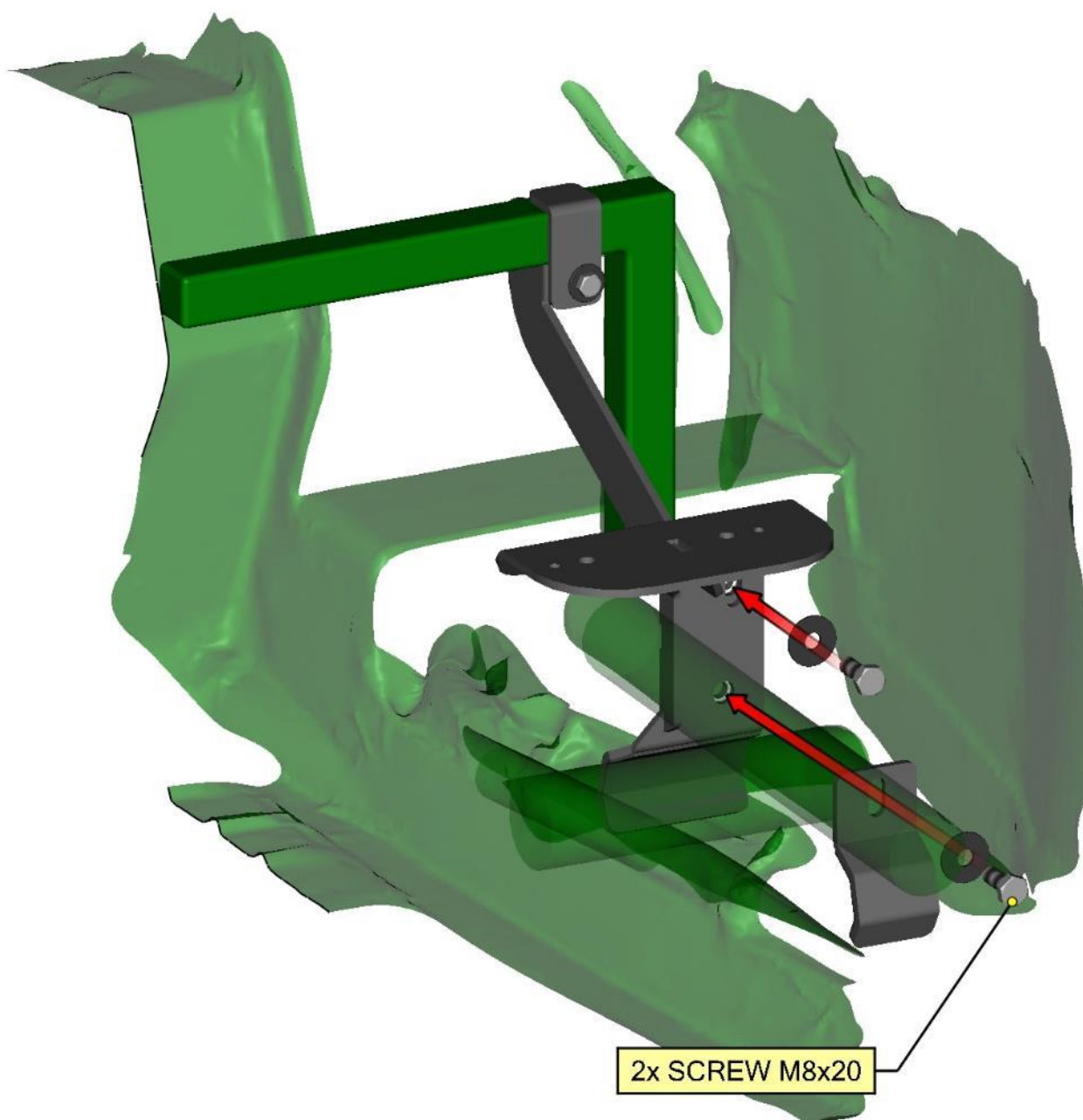
12

Place the second part of the heater holder on the UTV frame tube inside the central tunnel space.



13

Attach the second part of the heater holder on the UTV frame tube with the holder, nut and screw. Assemble the heater holders together with includes fixing assembly.



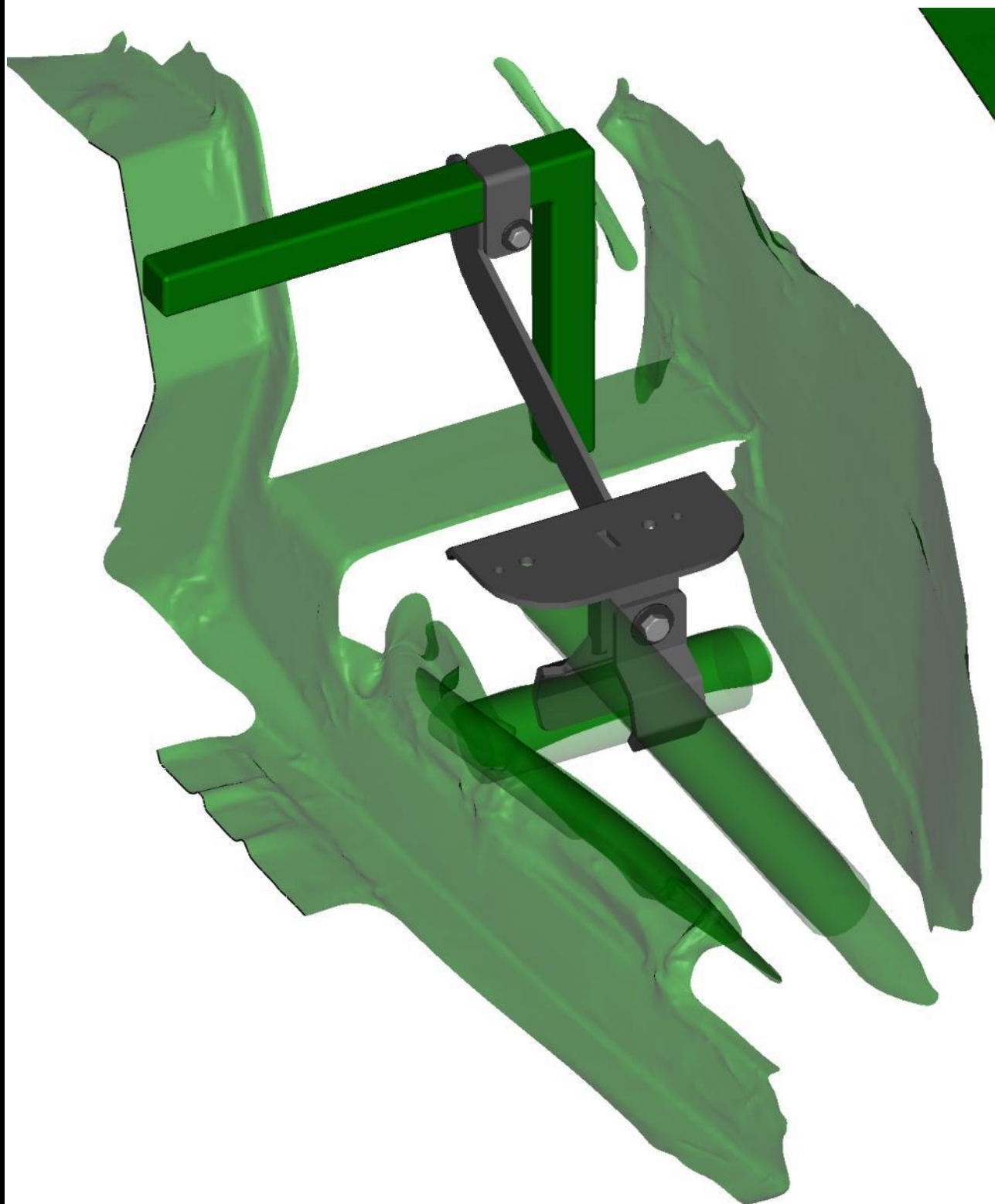
14

Detailed view.



15

The heater holder prepared for heater installation.



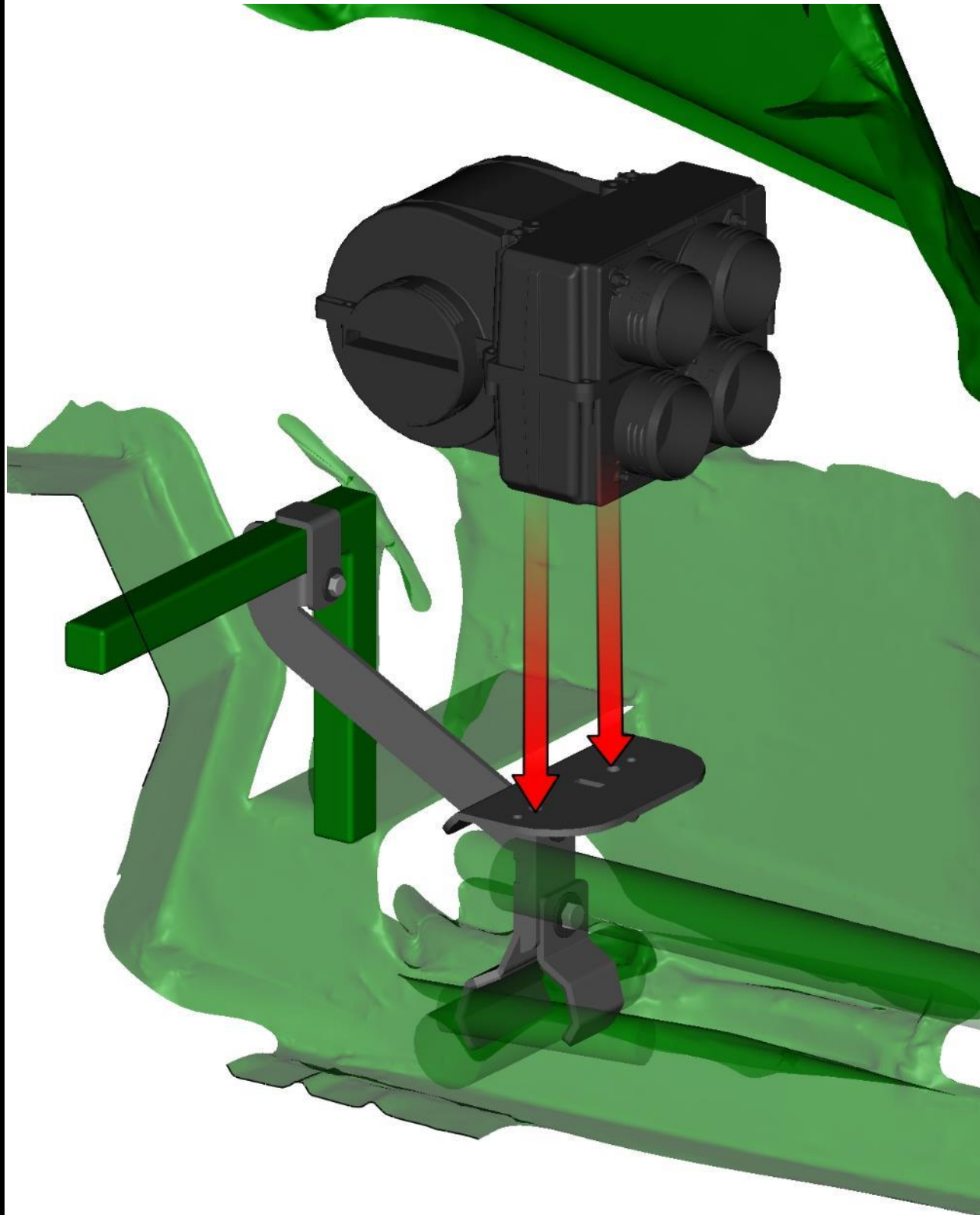
16

Photo of mounted heater holder.



17

Place the heater on the heater holder in accordance with the holes.



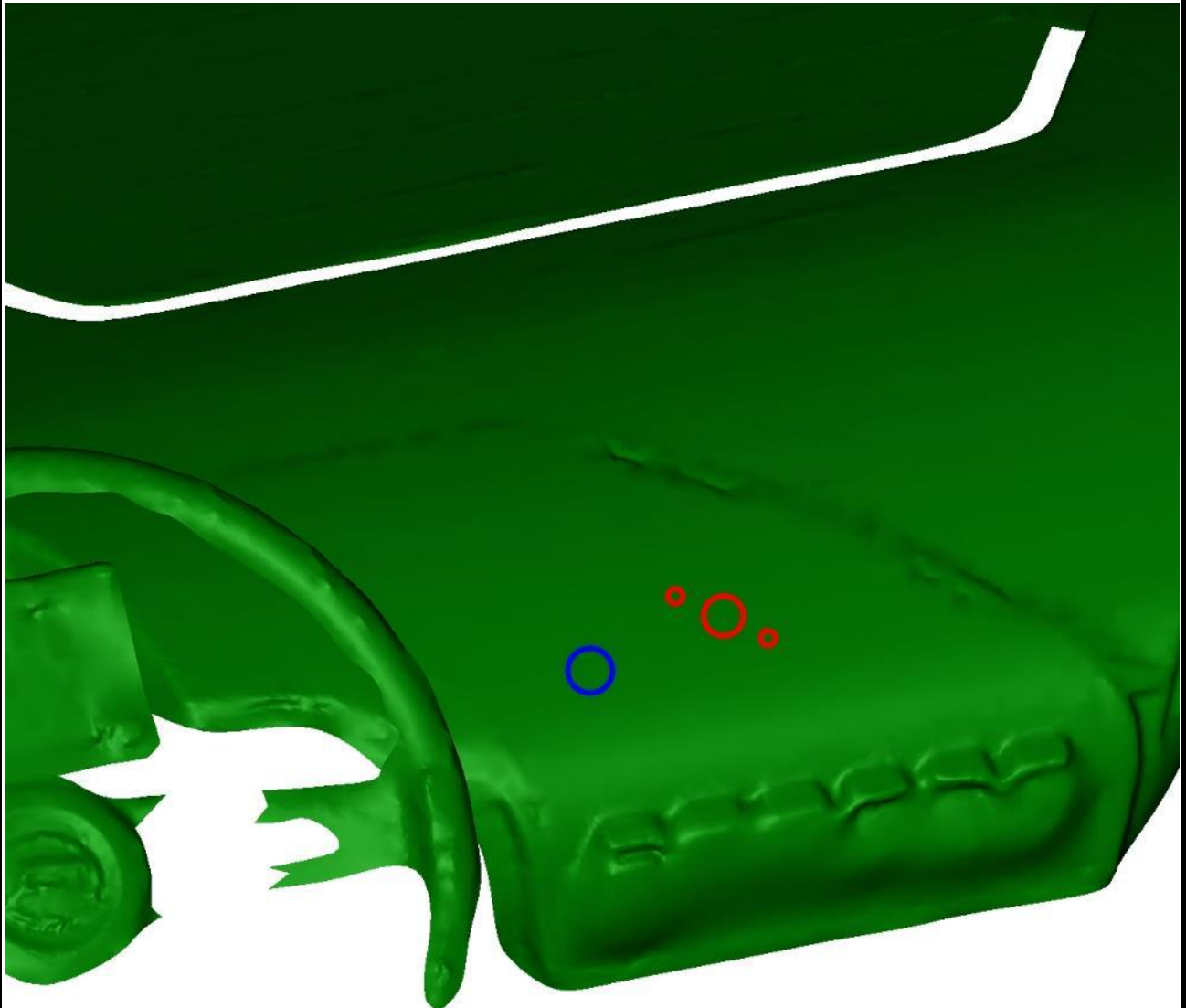
18

Fix the heater with included washers and screws. Use screwdrivers to adjust the heater to correct position.

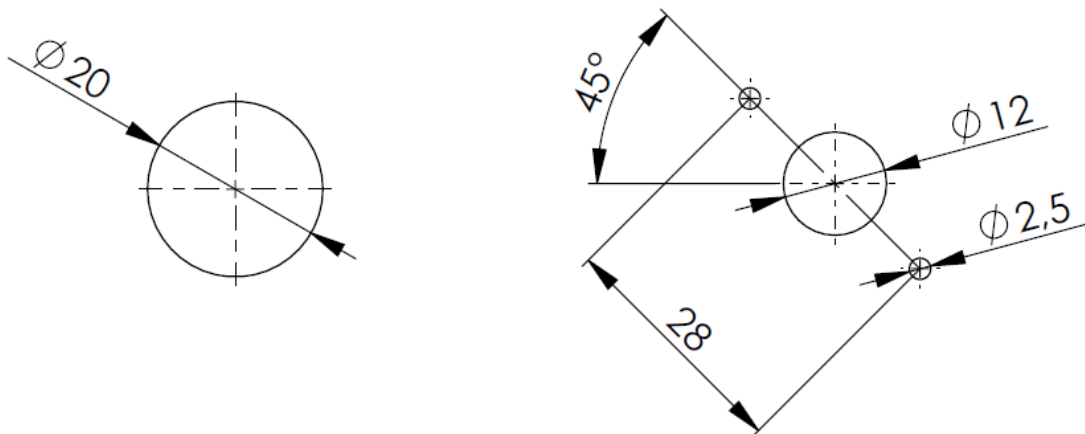


19

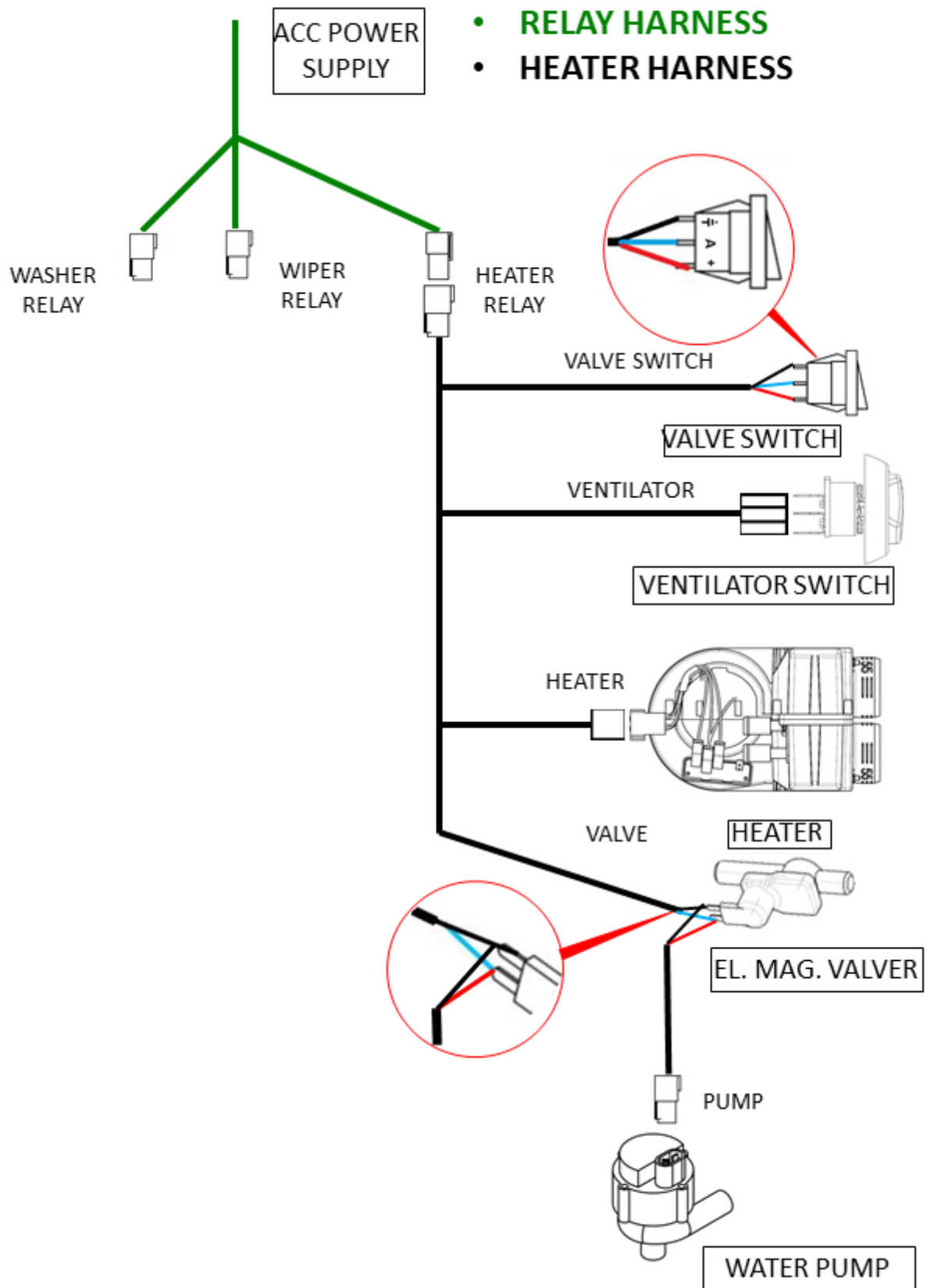
Drill holes to the dashboard above the UTV original switches for the electromagnetic valve switch (blue circle) and the heater ventilator switch (red circles).



20

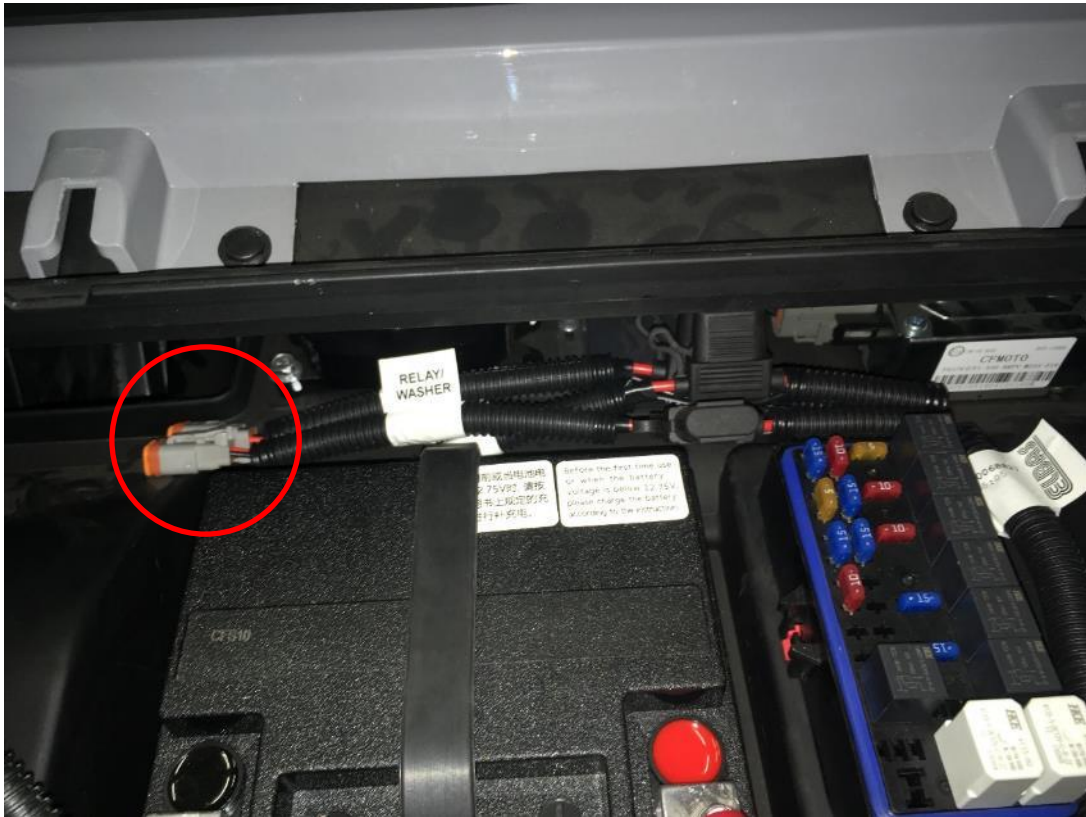


Scheme of the heater harness connection.

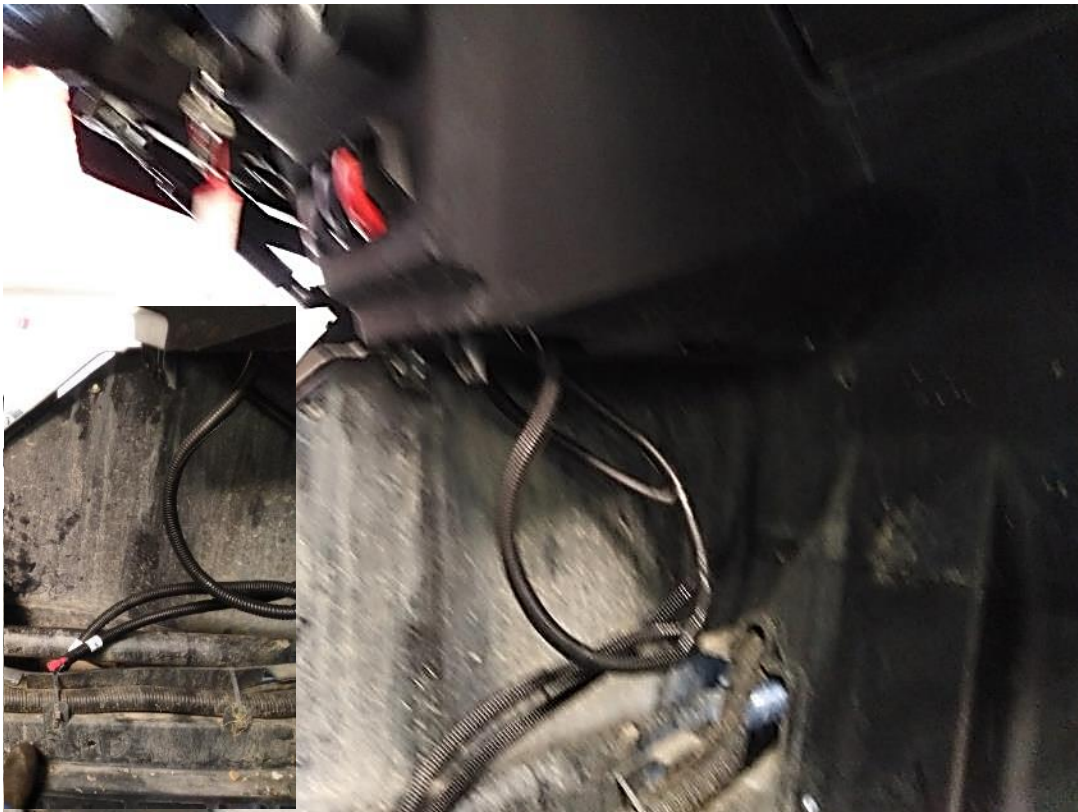


21

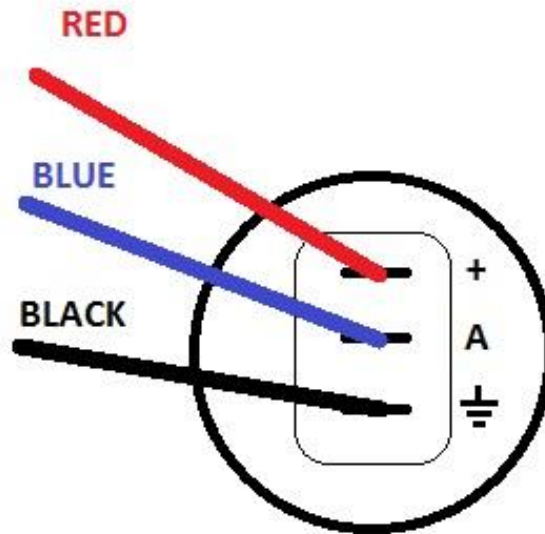
Connect the heater harness with the ACC power supply heater relay branch.



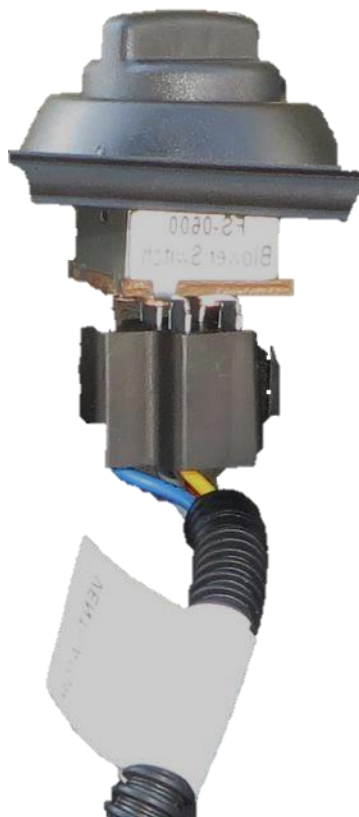
Route the heater harness to the central tunnel.



Connect the electromagnetic valve switch with the heater harness.



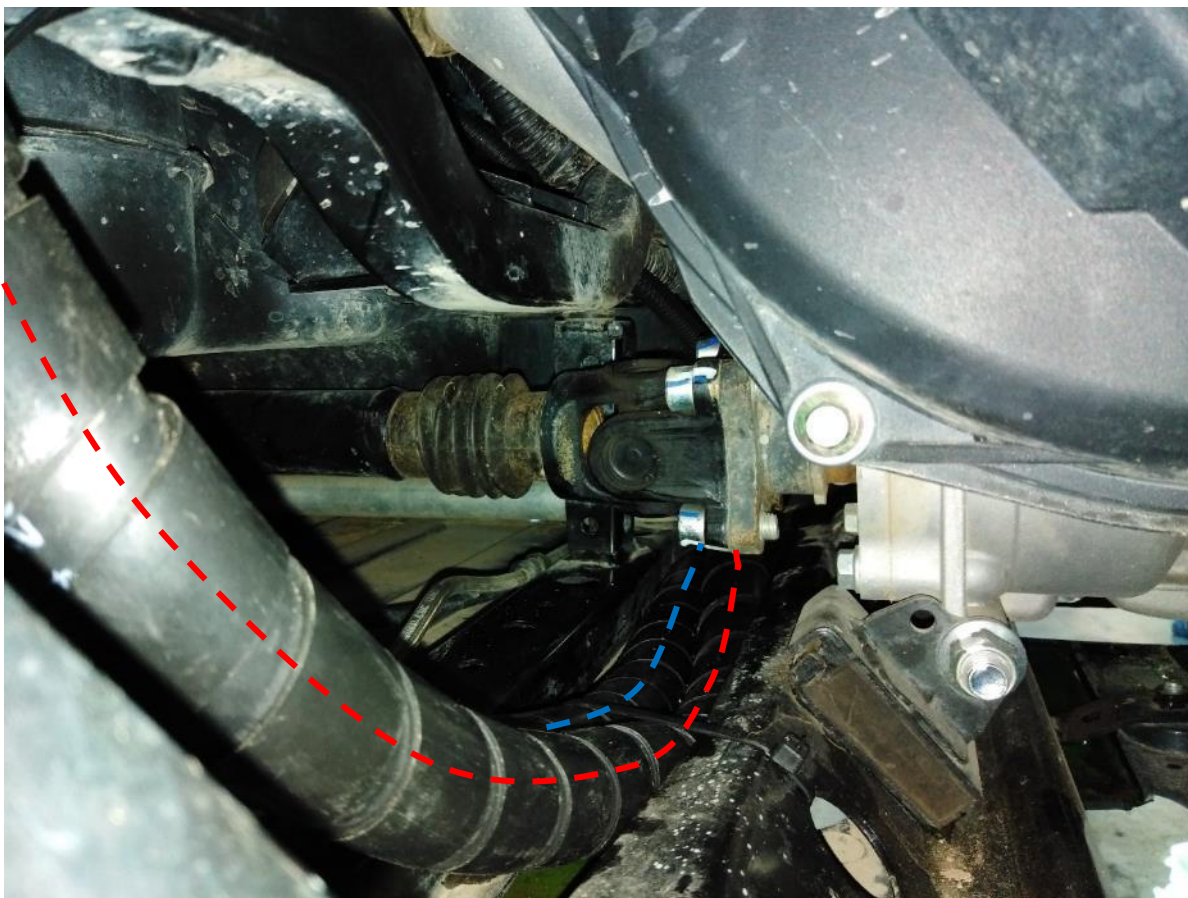
Connect the heater ventilator switch with the heater harness.



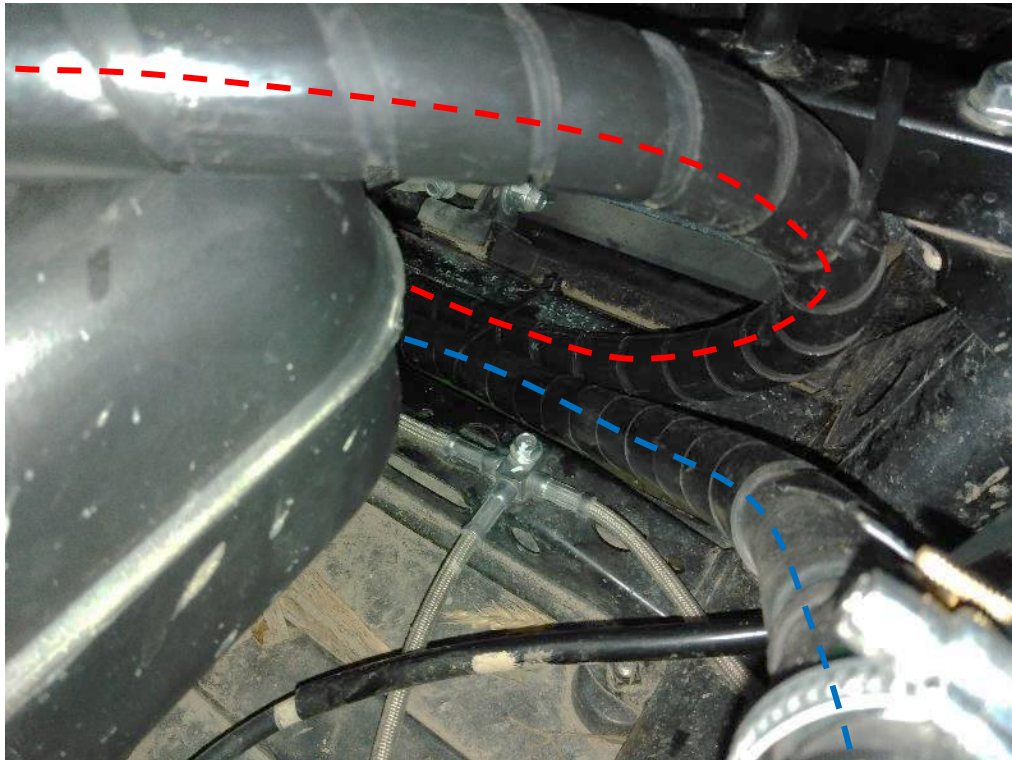
Mount the switches in the prepared holes in dashboard.



Route the heater water hoses from the heater to the engine space inside the central tunnel.



Route the heater water hoses from the heater to the engine space inside the central tunnel.

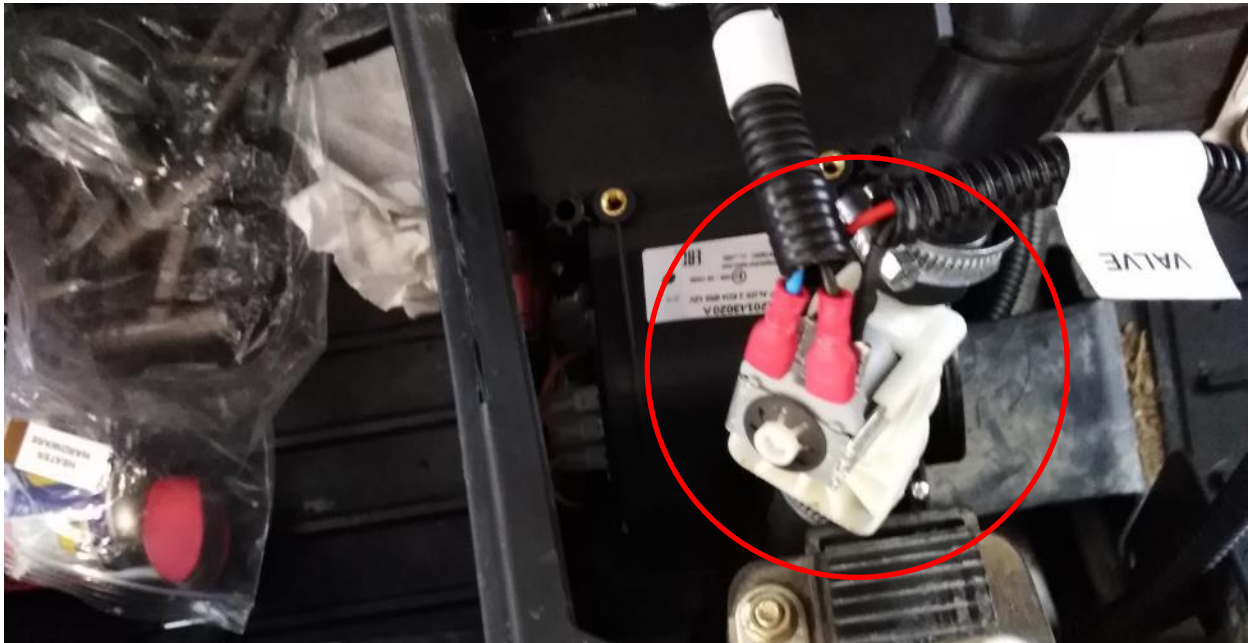


Install the bleeding valve on the heater output water hose in the under seats space.

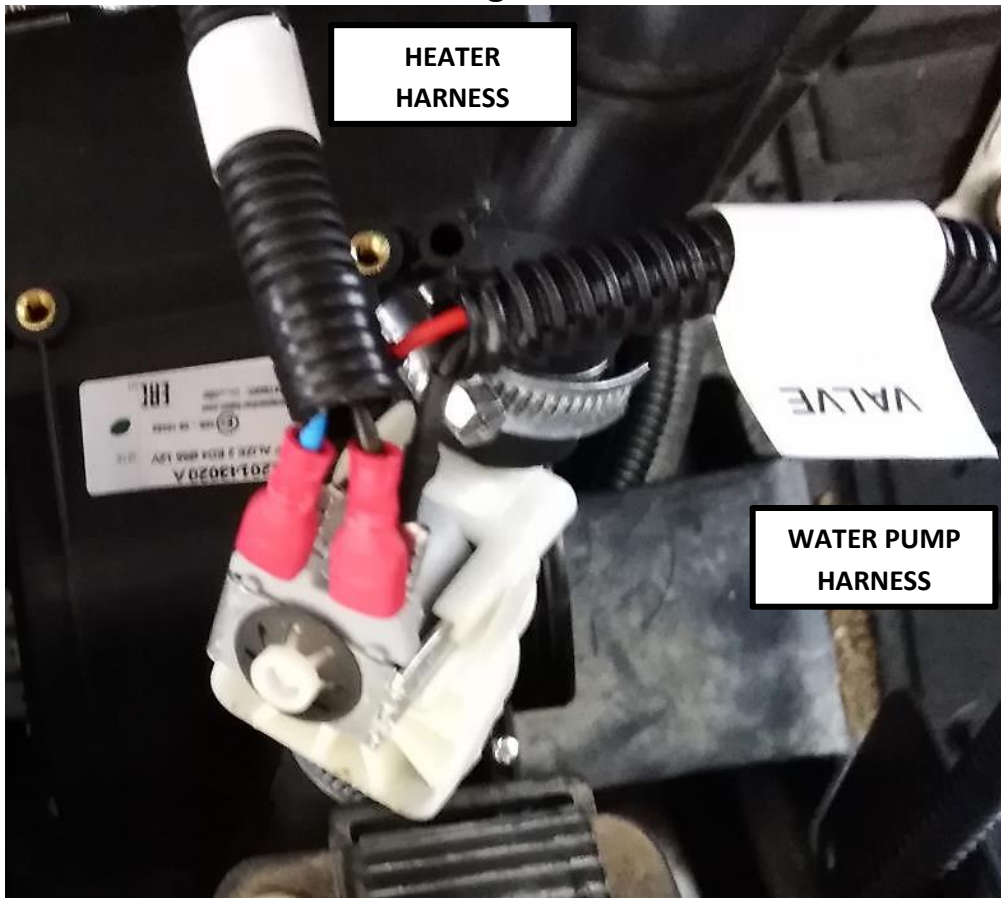


25

Install the electromagnetic valve on the hot water hose near heater with included tightening straps.



Connect the heater harness and the water pump harness with the electromagnetic valve.



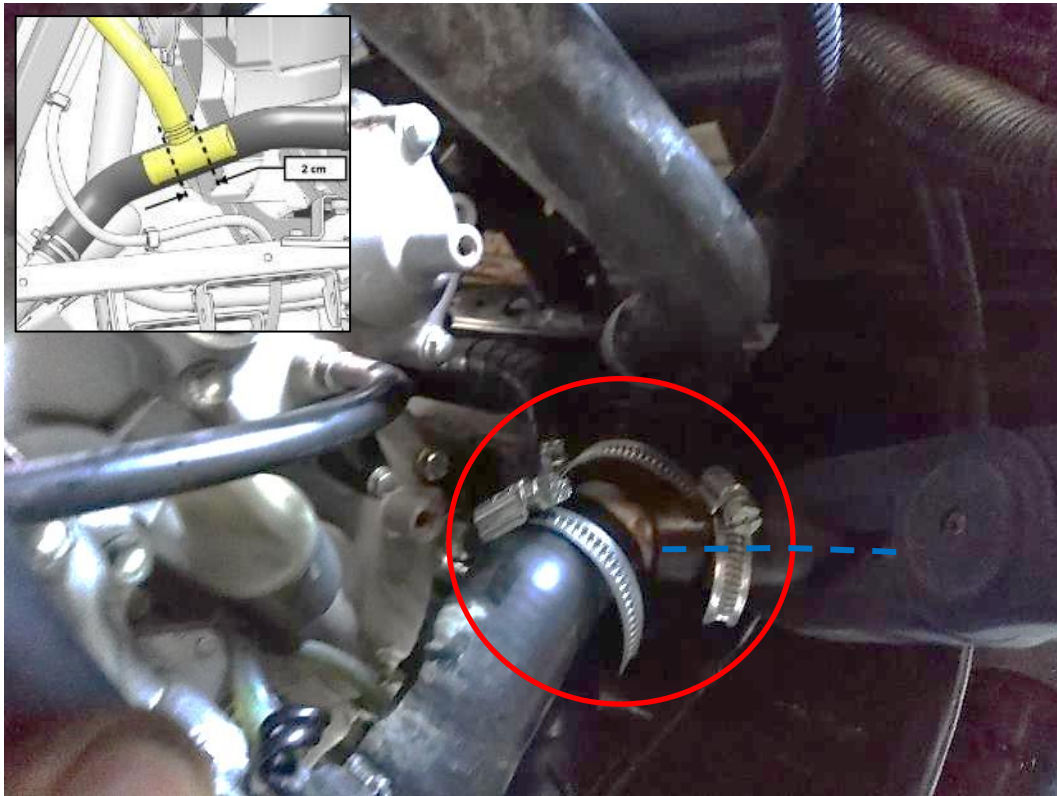
Connect the heater water hoses to the heater.



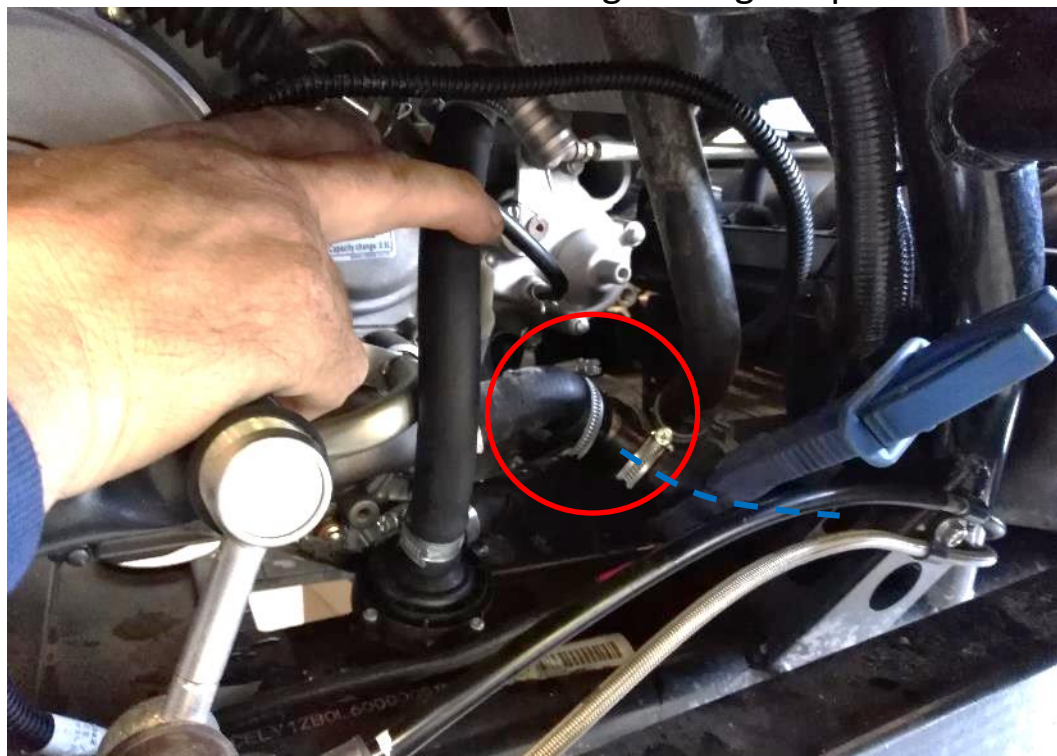
Attach the hoses with included tightening straps.



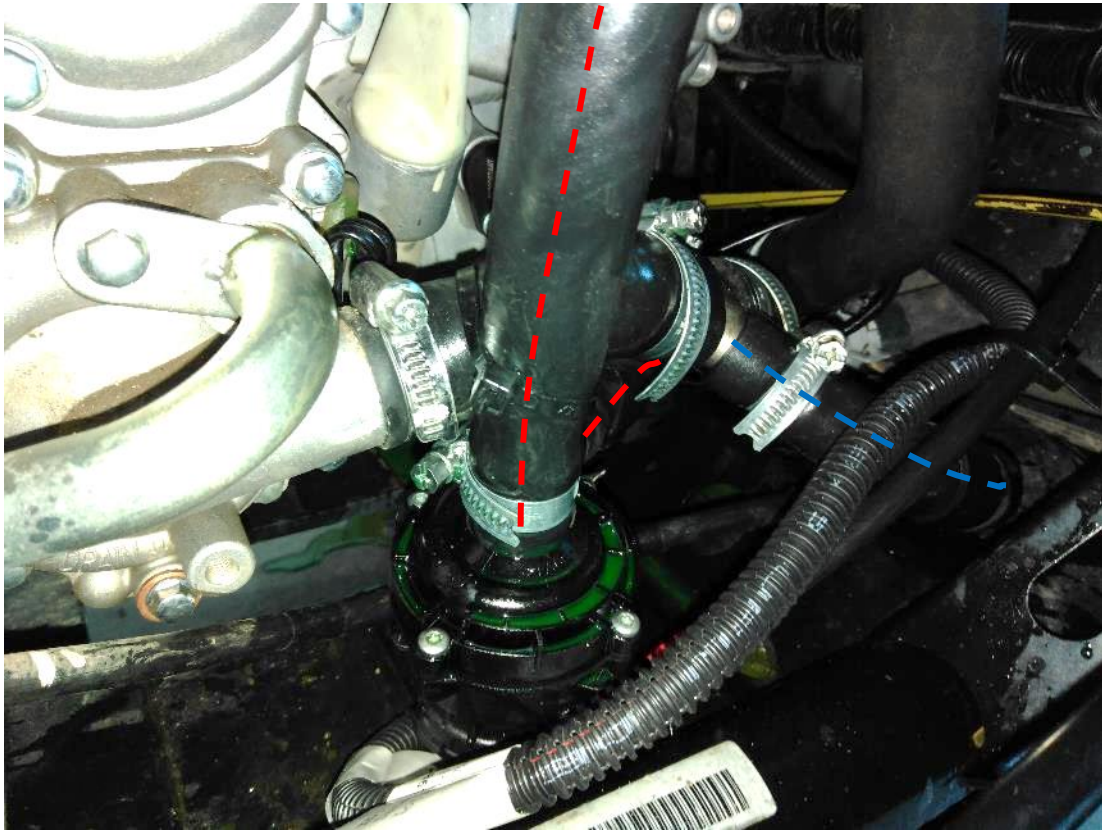
Secure the original cooling system hose with clamp. Cut the hose between clamps. Cut a 2 cm long piece of hose.



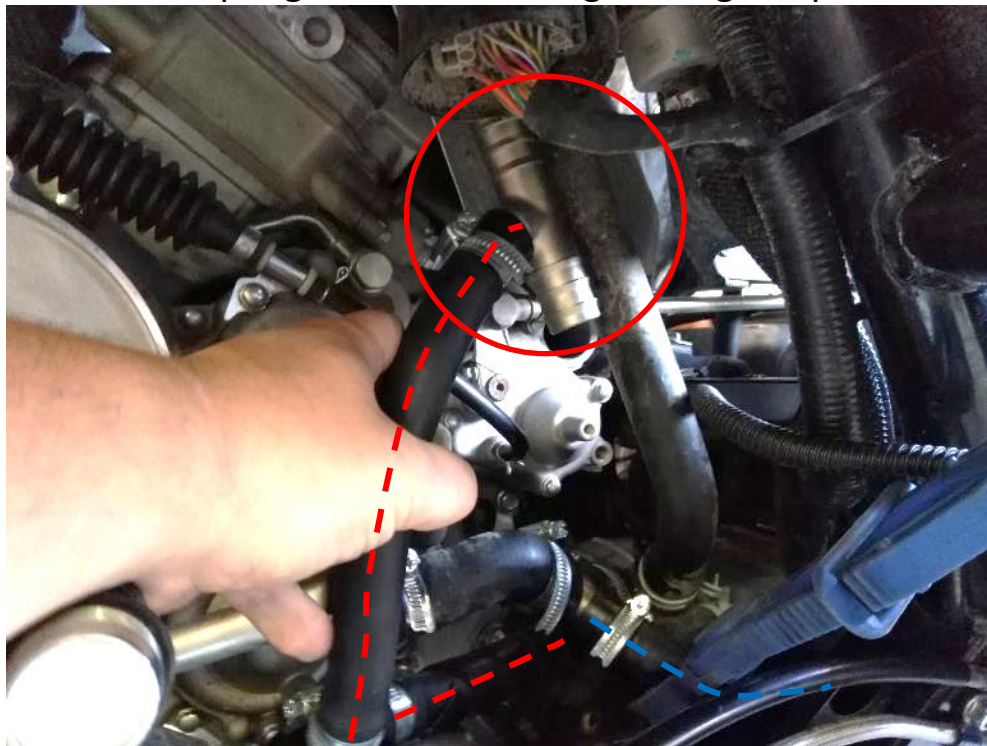
Install the “Y” coupling onto the both end of the cutted hose. Attach the both end of hose with tightening straps.



Install the water pump on the hot heater water hose. Attach the water pump with included tightening straps.



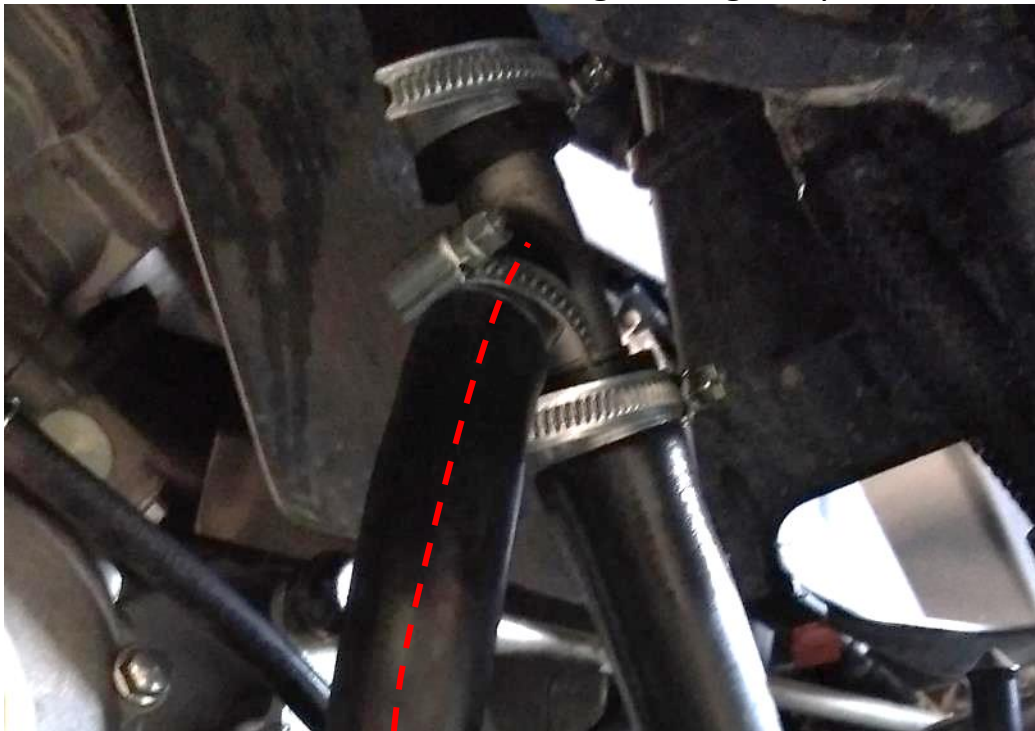
Mount the "Y" coupling on the heater hot water hose. Attach the "Y" coupling with included tightening strap.



Secure the original cooling system hose with clamp. Cut the hose between clamps. Cut a 2 cm long piece of hose.



Install the “Y” coupling onto the both end of the cutted hose. Attach the both end of hose with tightening straps.



Connect the water pump harness to the water pump.



Install the heater air hoses to the front heater box adapter. Attach the heater air hoses with included Al tape.



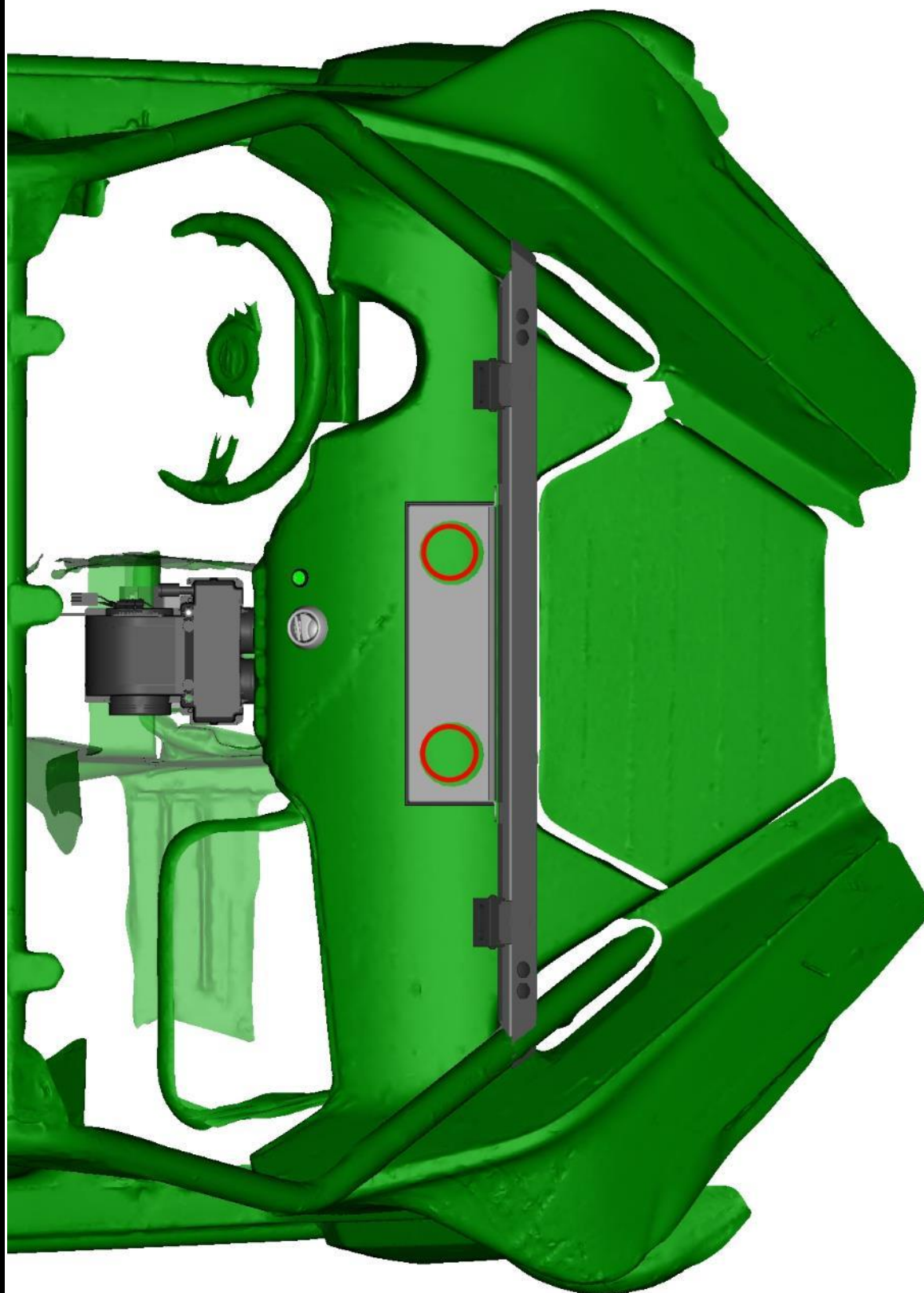
31

Place the heater air vents holder on the dashboard in accordance with the holes on the front bottom ledge.



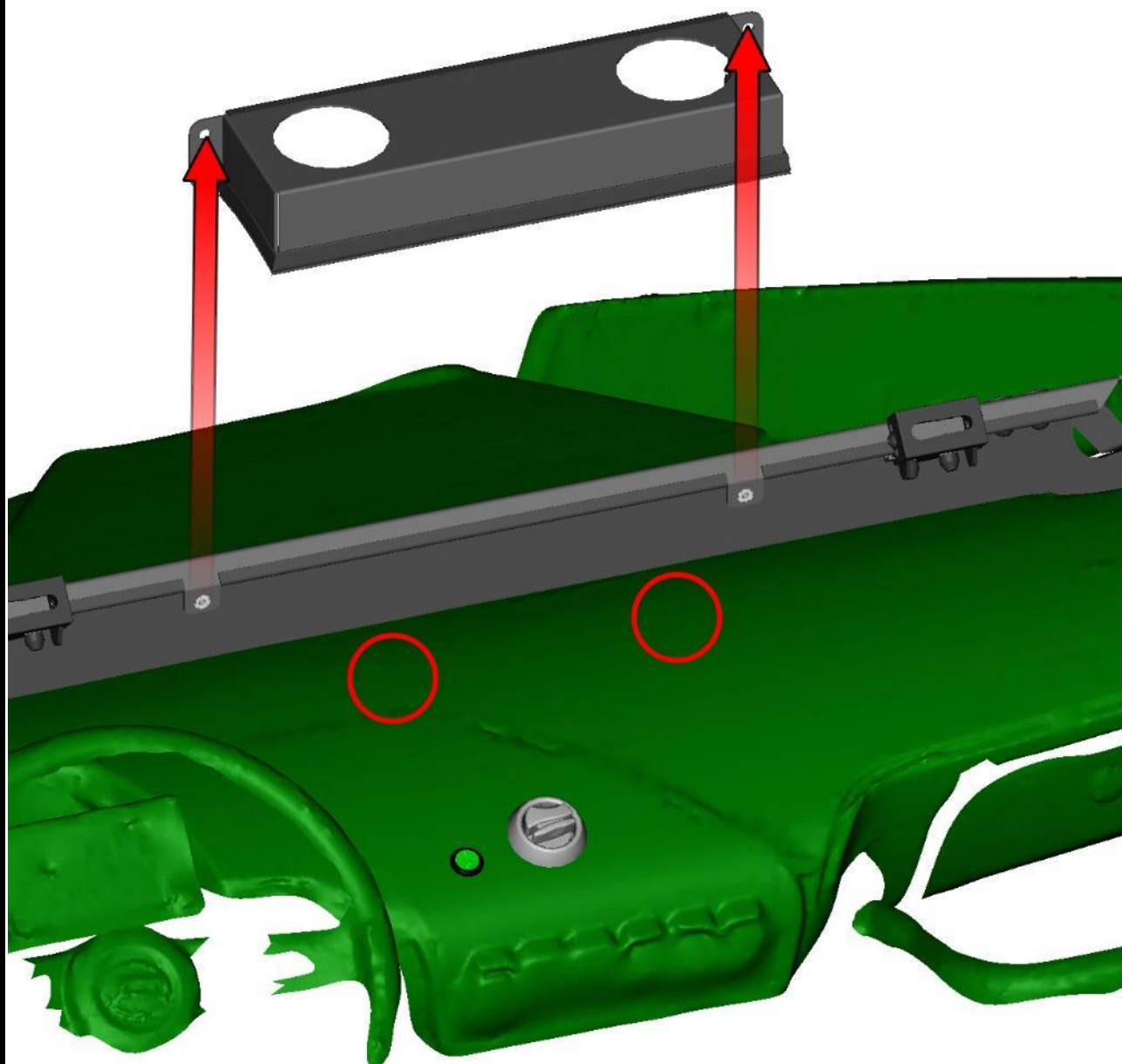
32

Mark the position of the holes in the air vents holder on dashboard.



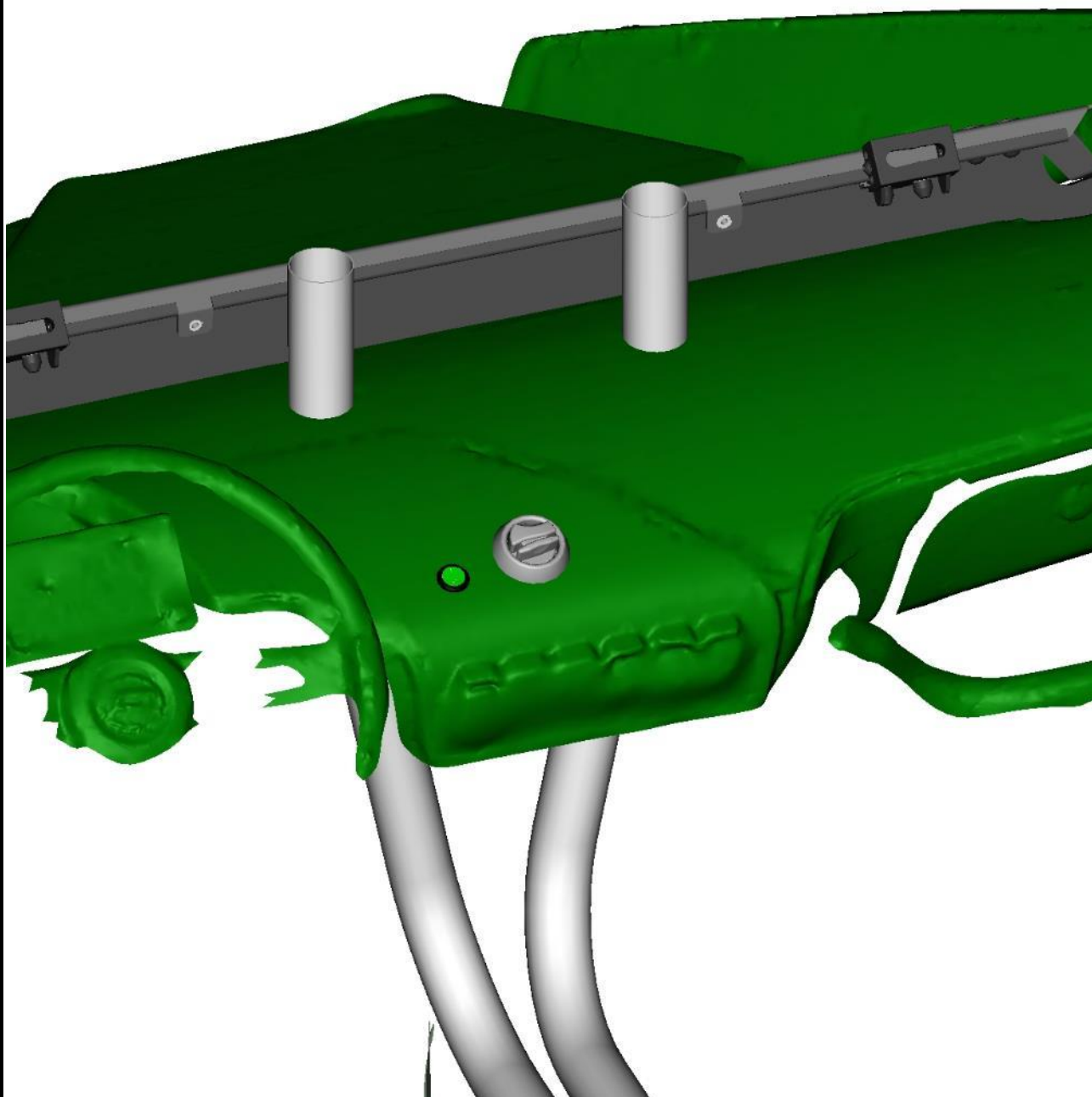
33

Remove the air vents holder and drill two holes \varnothing 45 mm on marked positions for the heater air hoses.



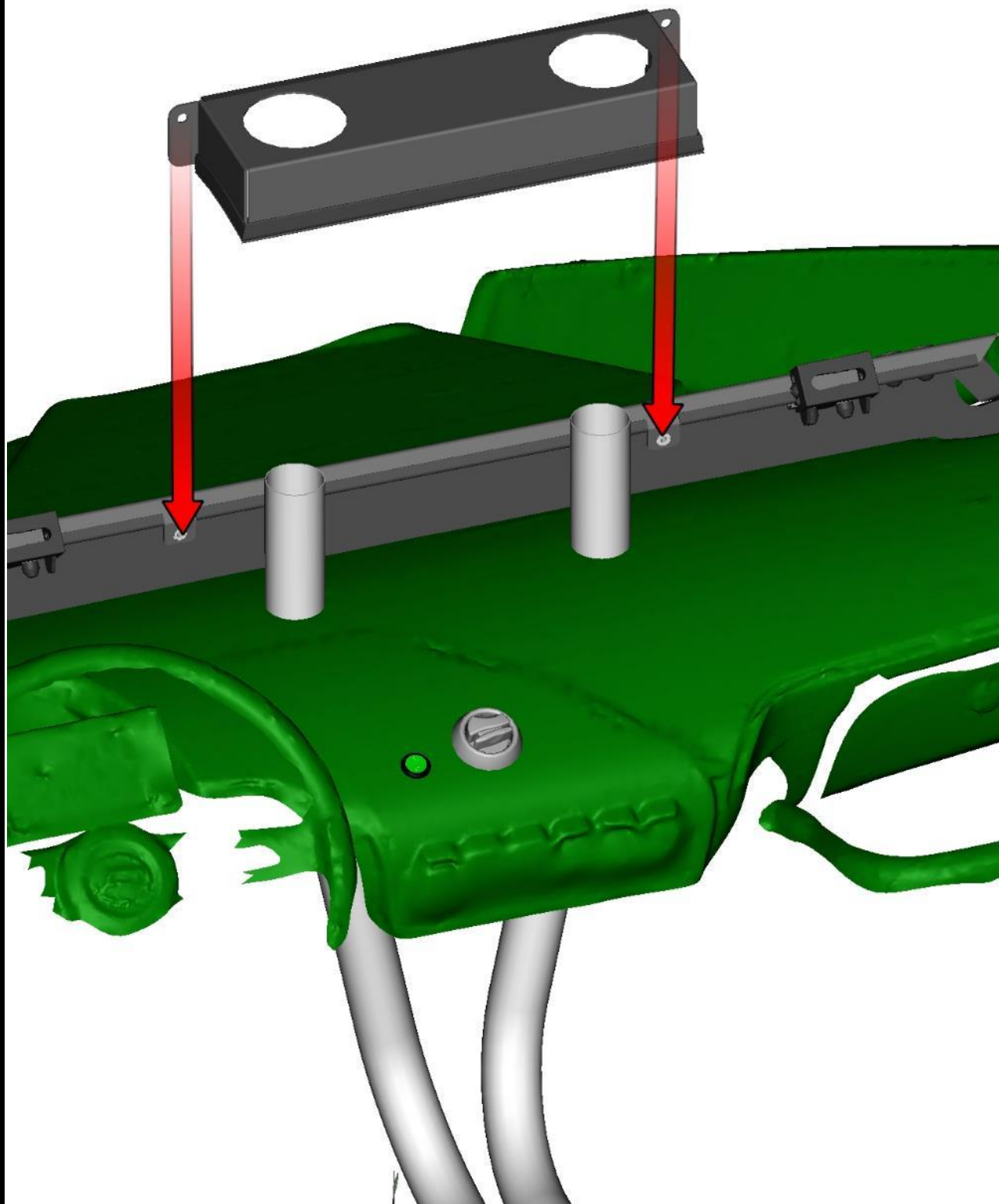
34

Route the heater air hoses through the prepared holes in the dashboard.



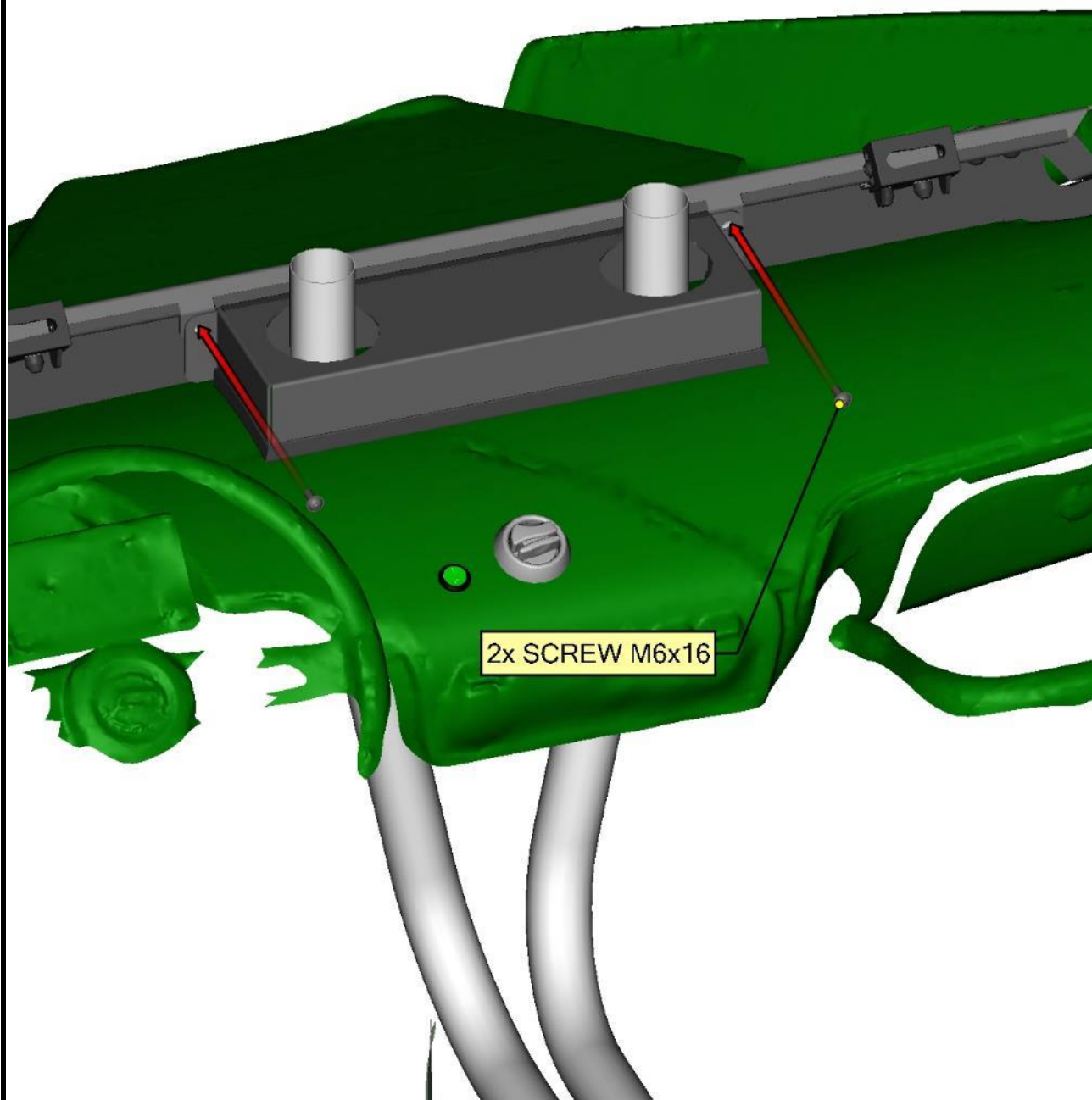
35

Place the heater air vents holder on the dashboard in accordance with the holes on the front bottom ledge.



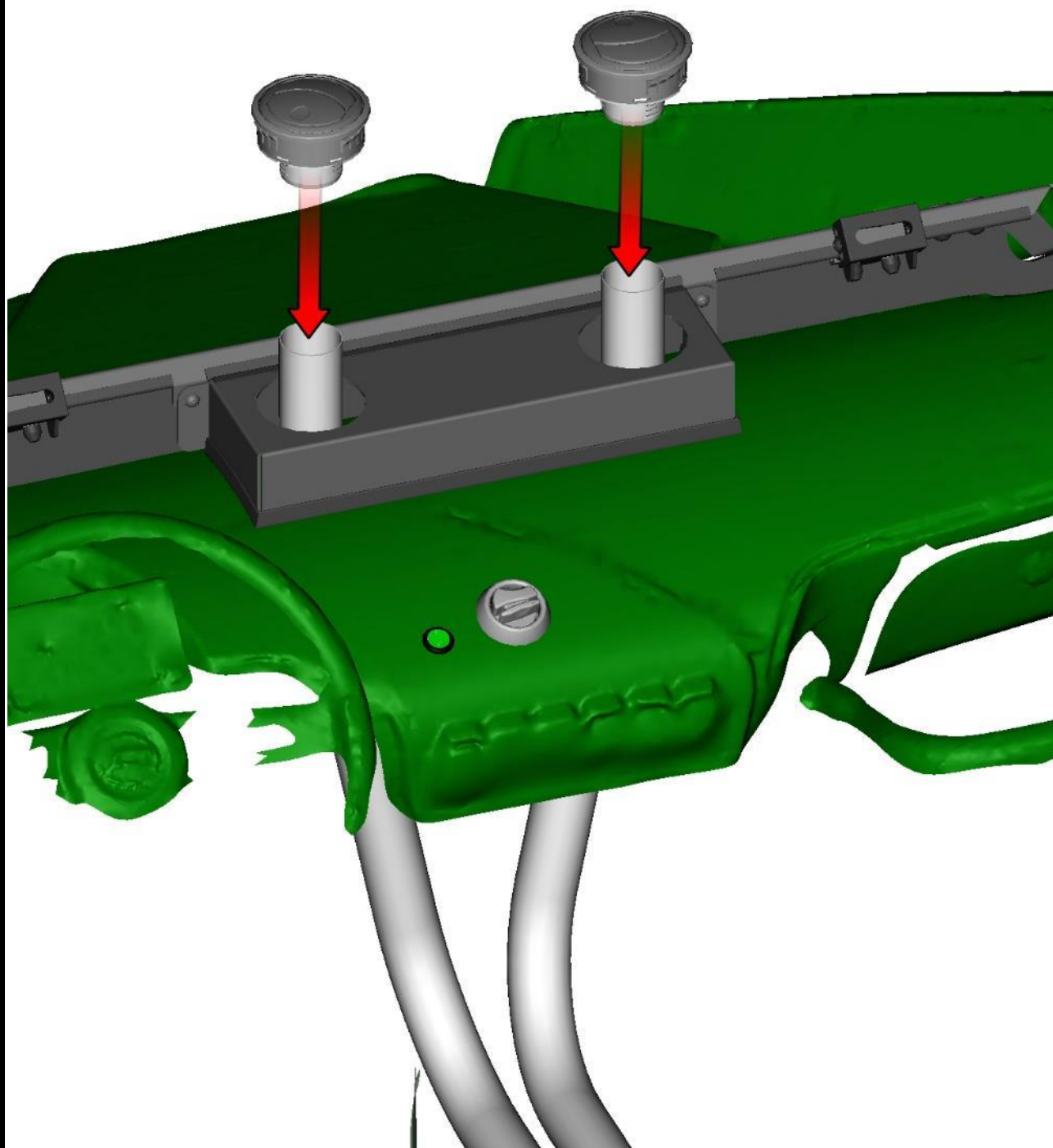
36

Fix the heater air vents holder with included screws.



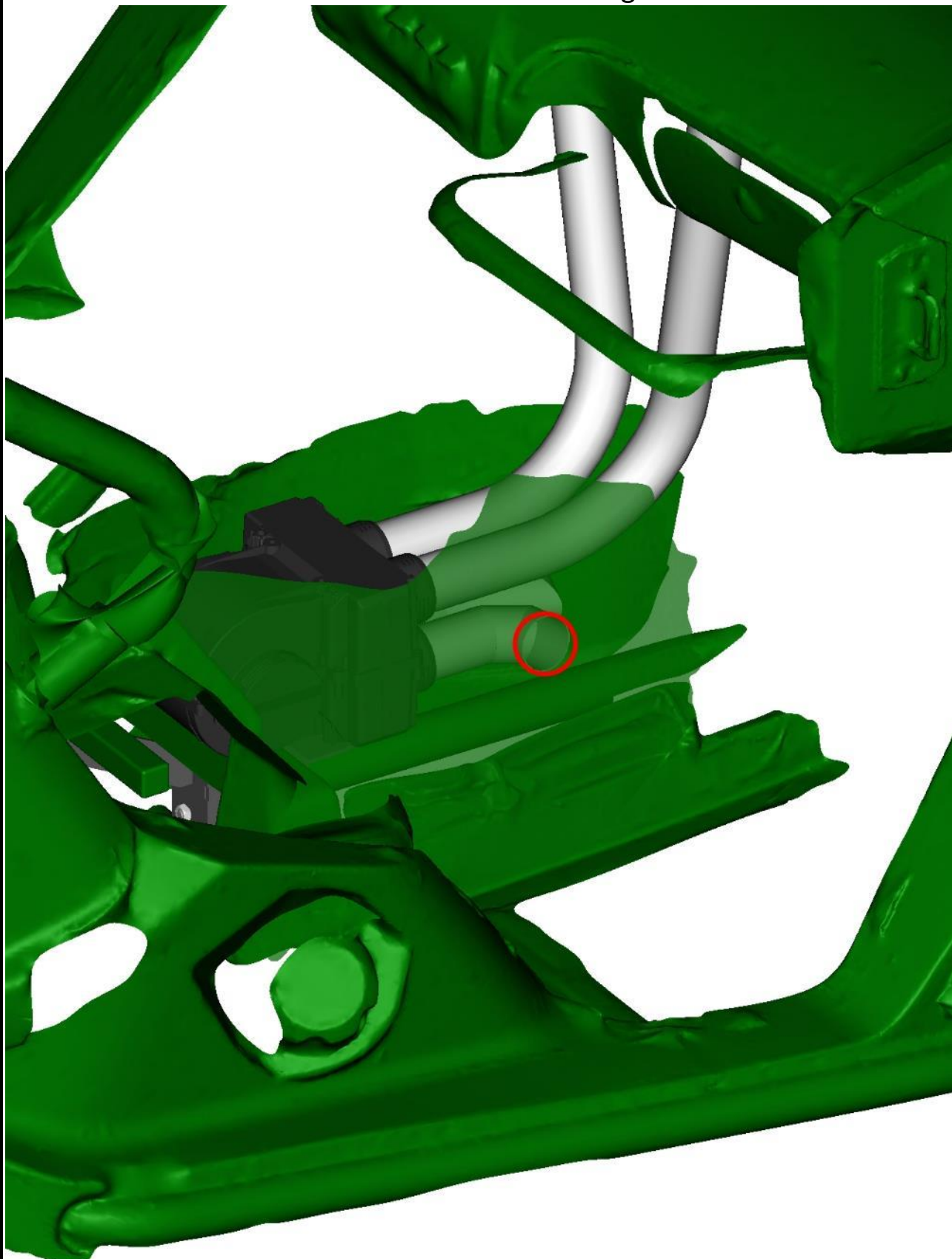
37

Install the air vents on the heater air hoses. Attach the air vents with included tightening straps.



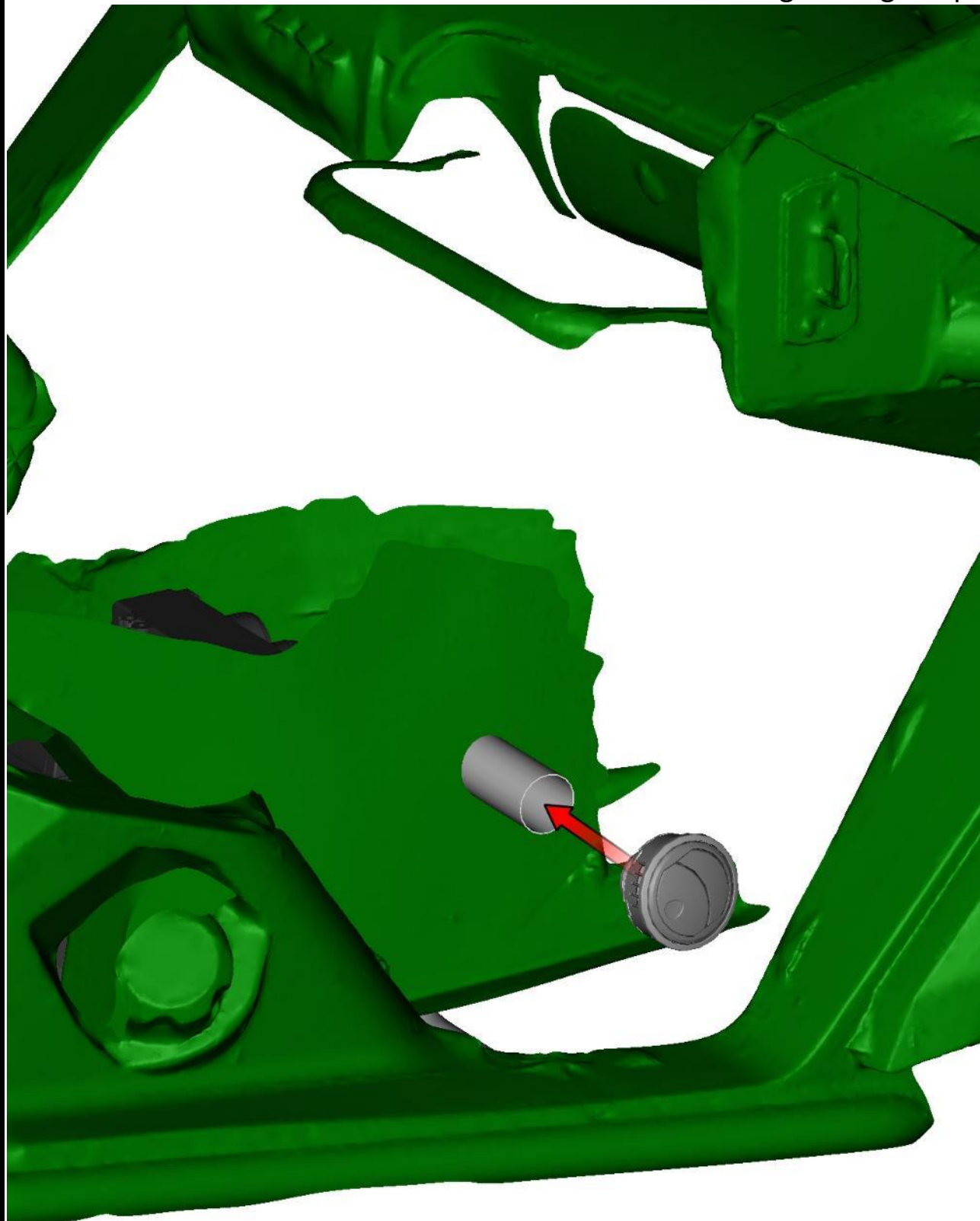
38

Drill the hole \varnothing 77 mm for the ait vent to the right central tunnel cover.



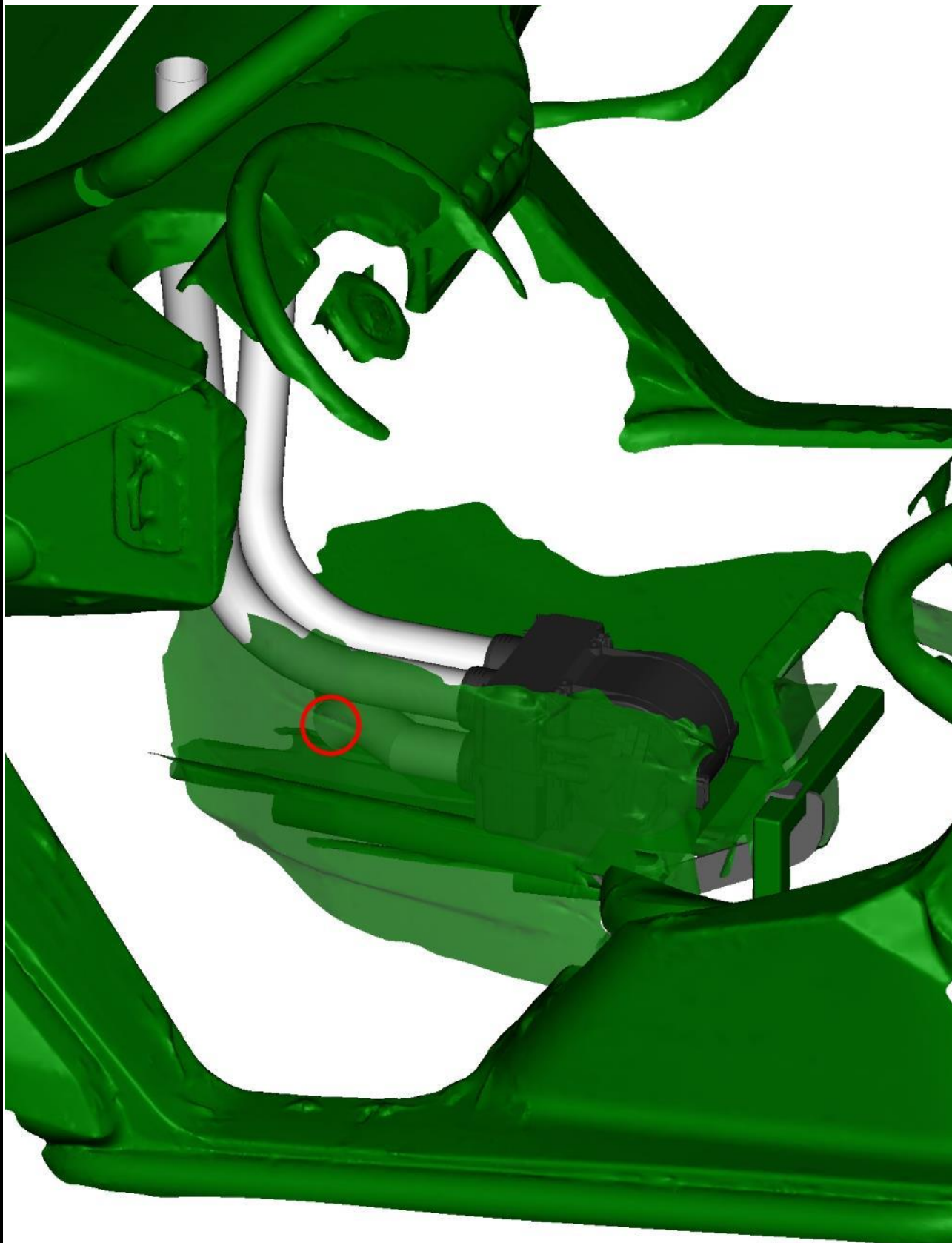
39

Route the heater air hose through the prepared hole. Install the air vent on the heater air hose. Attach the air vent with included tightening strap.



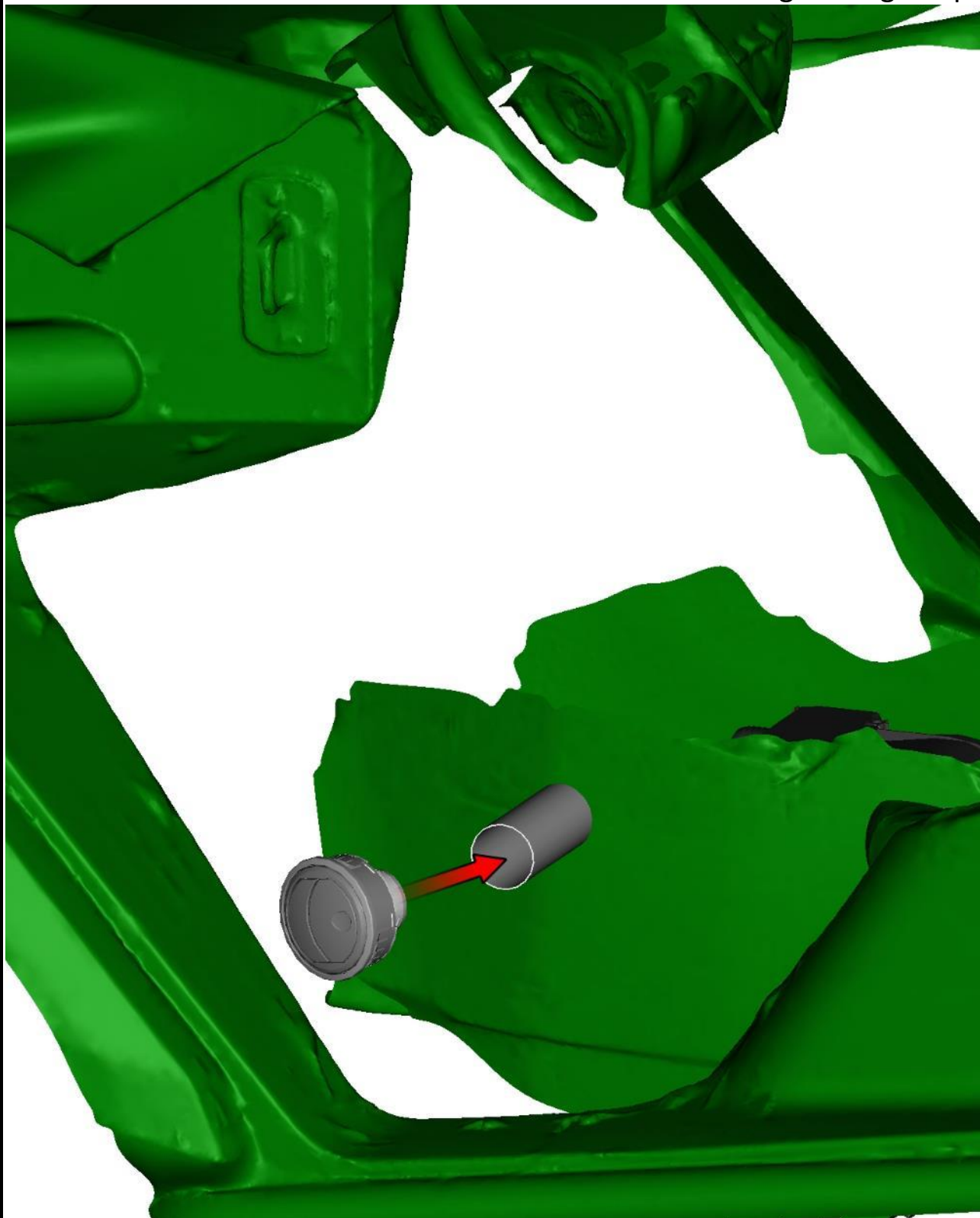
40

Drill the hole \varnothing 77 mm for the ait vent to the left central tunnel cover.



41

Route the heater air hose through the prepared hole. Install the air vent on the heater air hose. Attach the air vent with included tightening strap.



42

Reinstall the plastic central tunnel cover.



Mount the gear shift head.



ELECTROINSTALLATION 1.

Install the washer tank with holder onto the vehicle frame under the driver seat.



Run the washer harness from the washer tank to the central floor tunnel.



44

Run the washer harness from the floor tunnel to the front right side of the vehicle.



45

Run the washer harness through the original hole to the front dashboard.



46

Run the washer harness branch "washer relay" to the battery space.



47

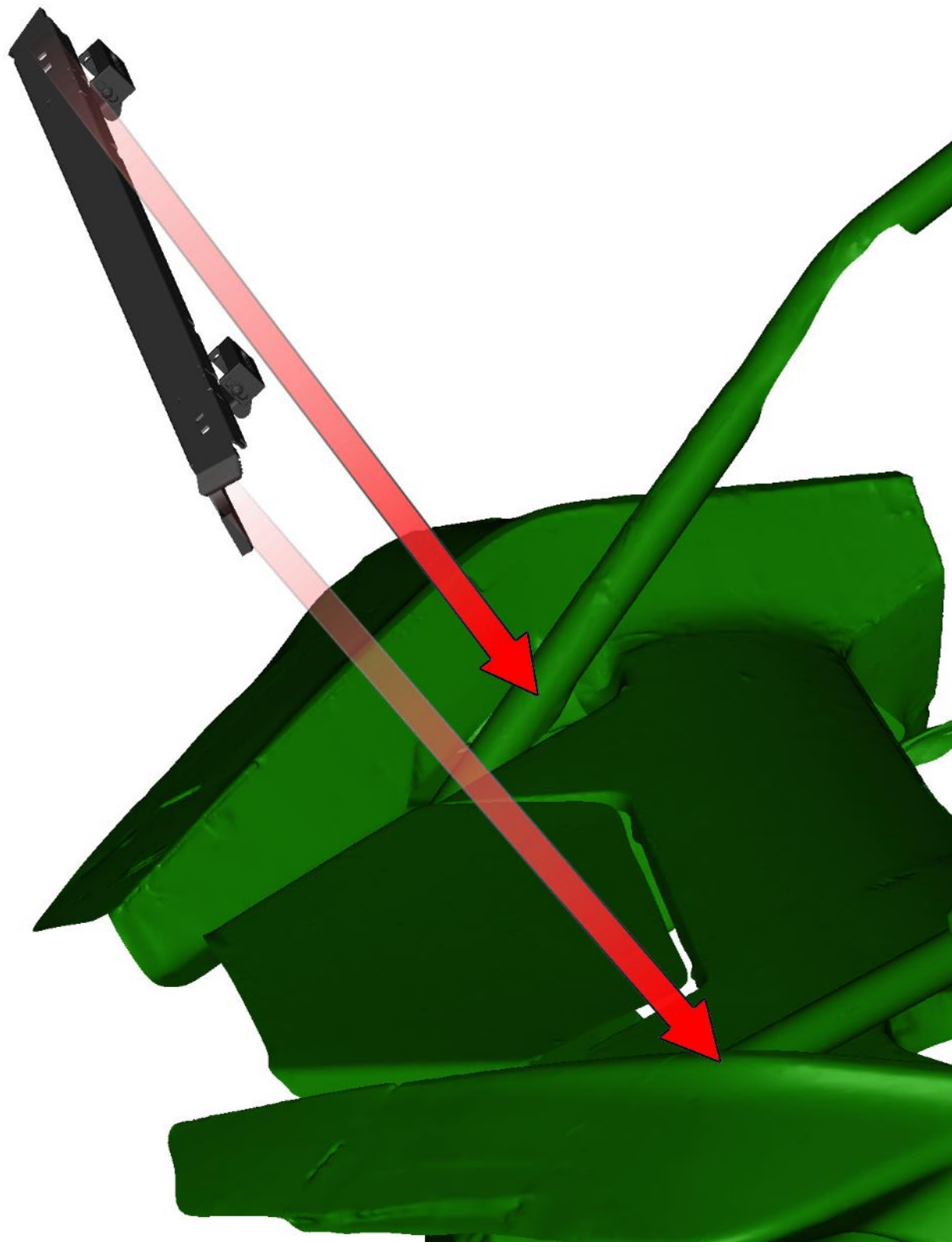
Place the relay harness into the battery space.



48

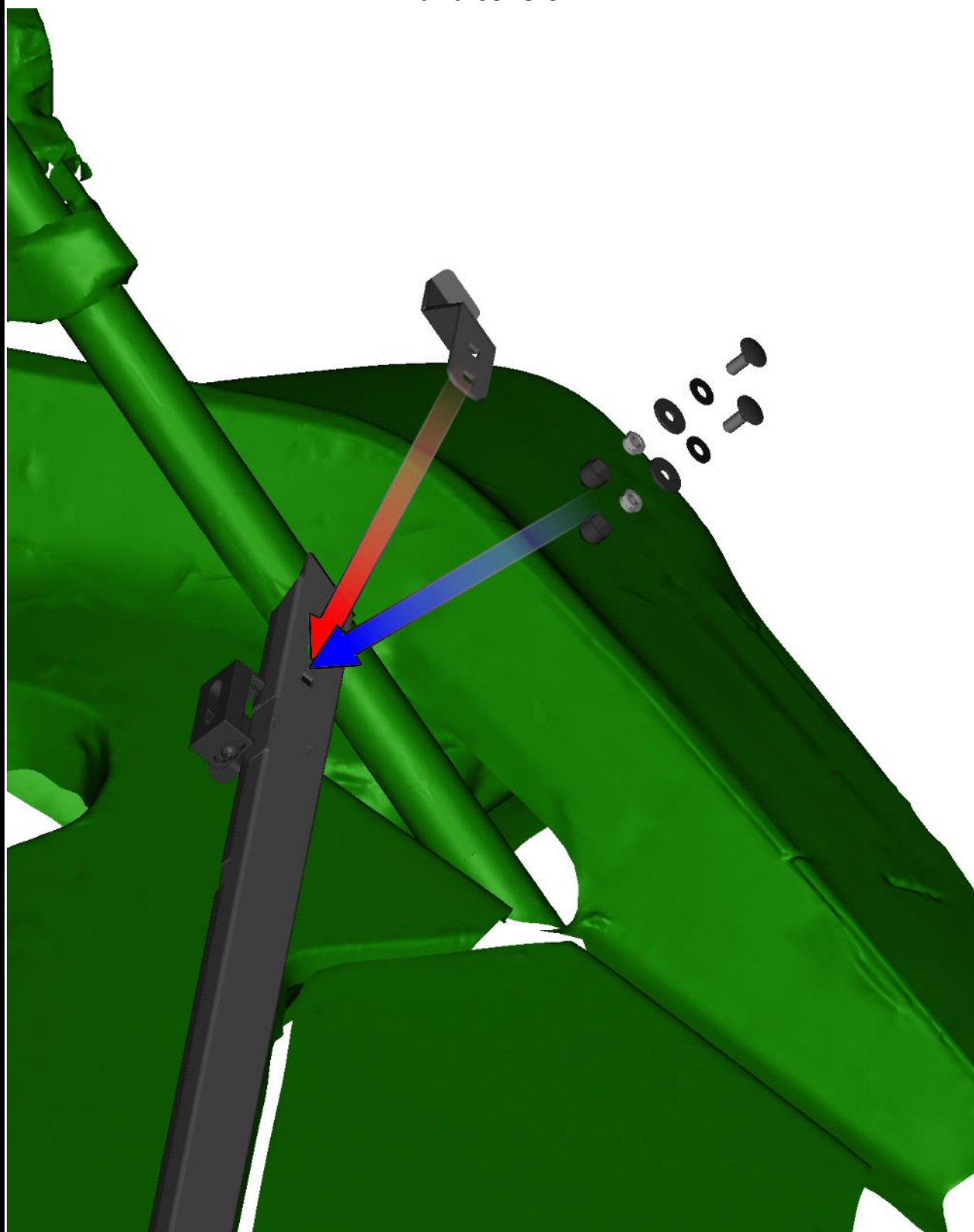
FRONT PANEL

Place the front bottom ledge onto the vehicle frame.



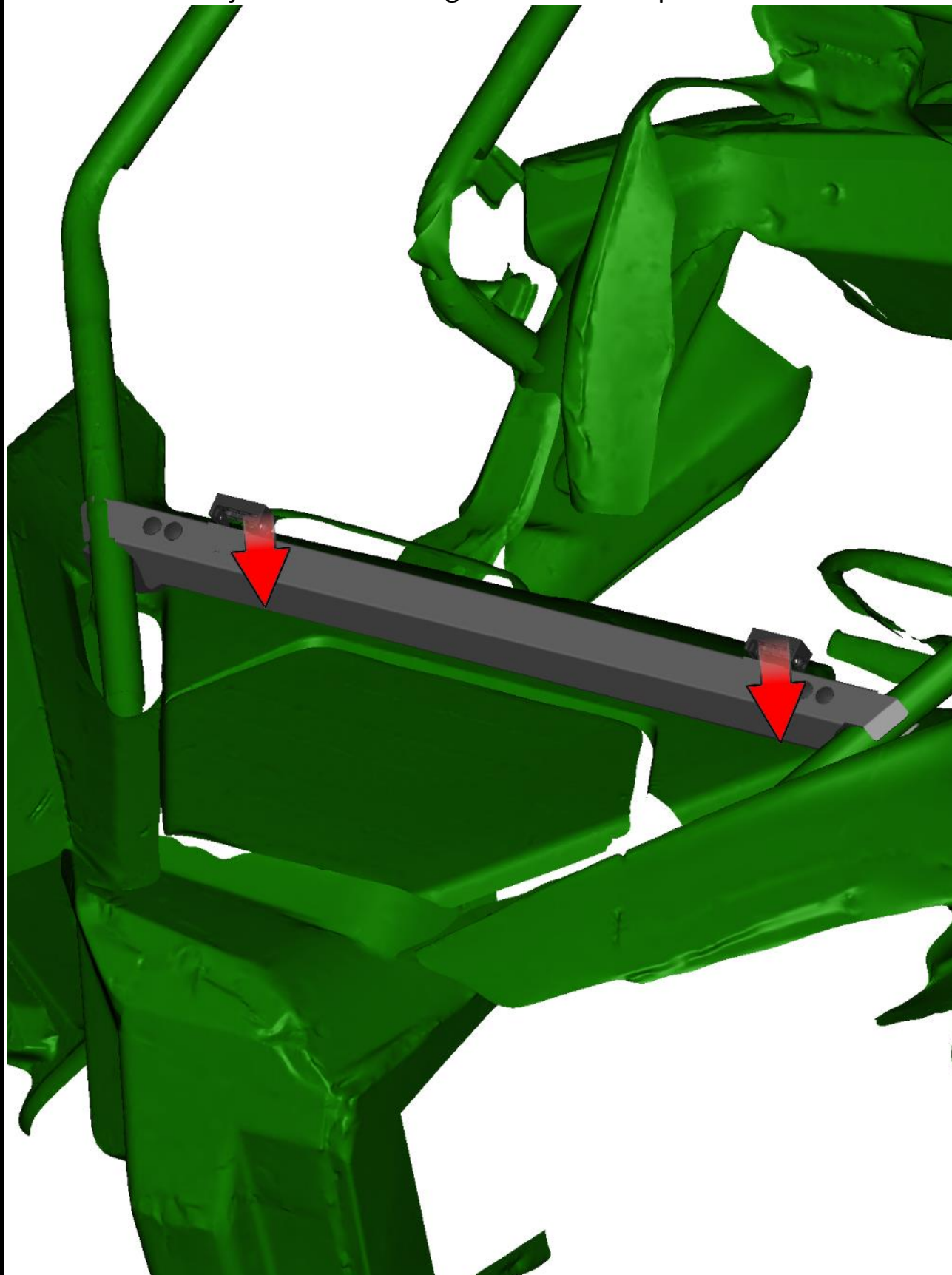
49

Place the bottom holders onto the bottom ledge on both sides. Fix the holders with the ledge to the frame by included screws, washers, nuts and covers.



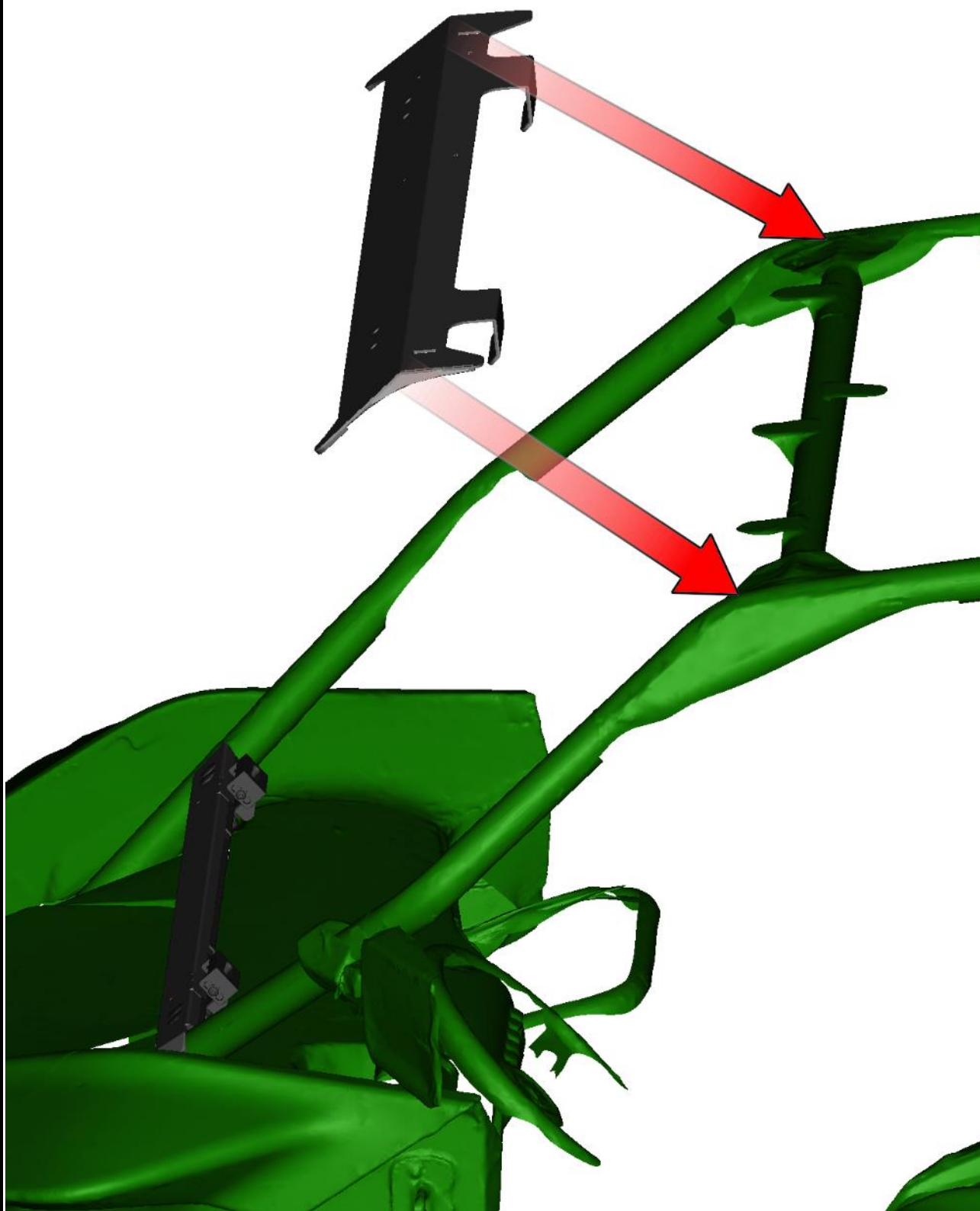
50

Adjust the front ledge to the center position.



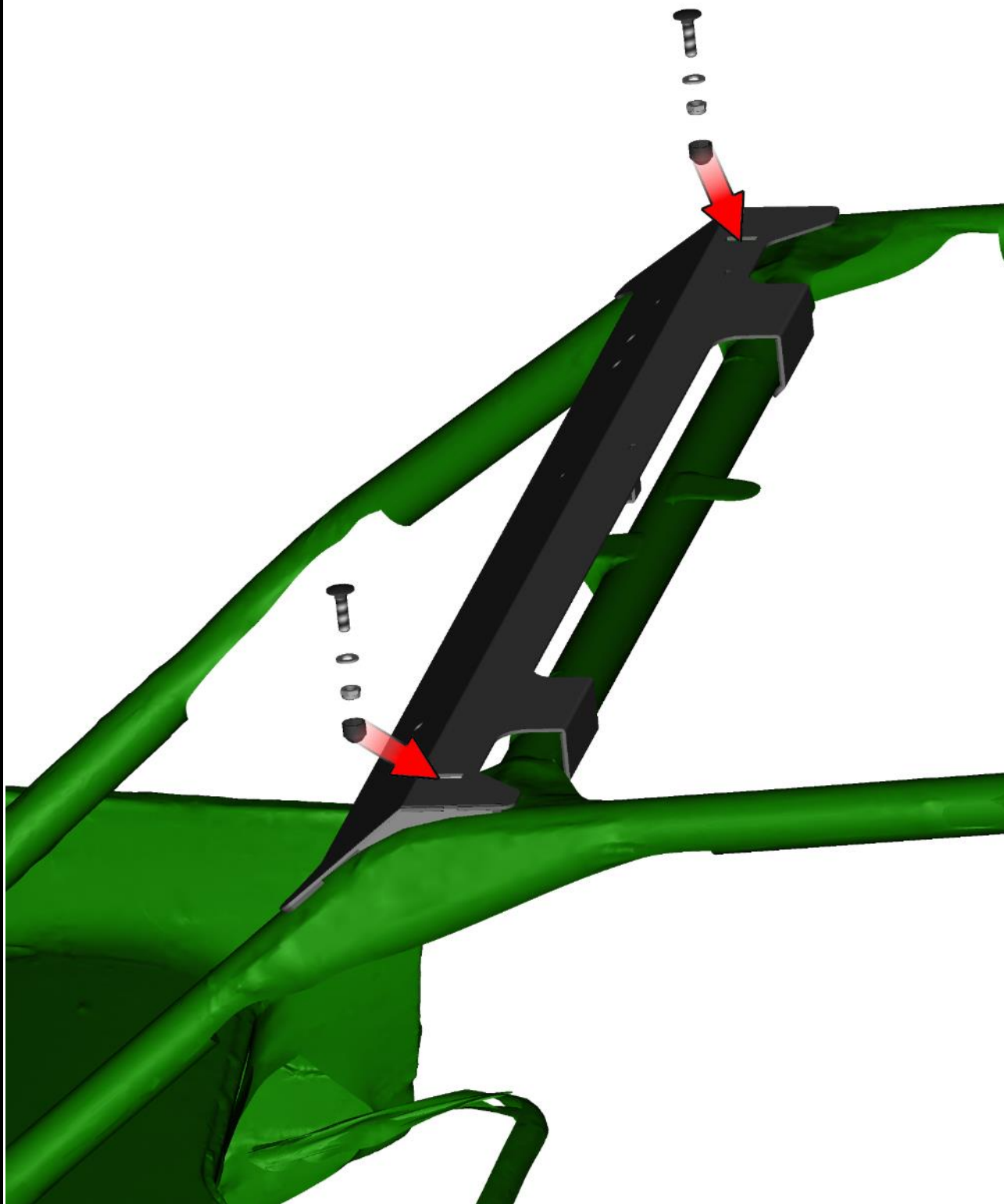
51

Place the upper ledge onto the vehicle frame.



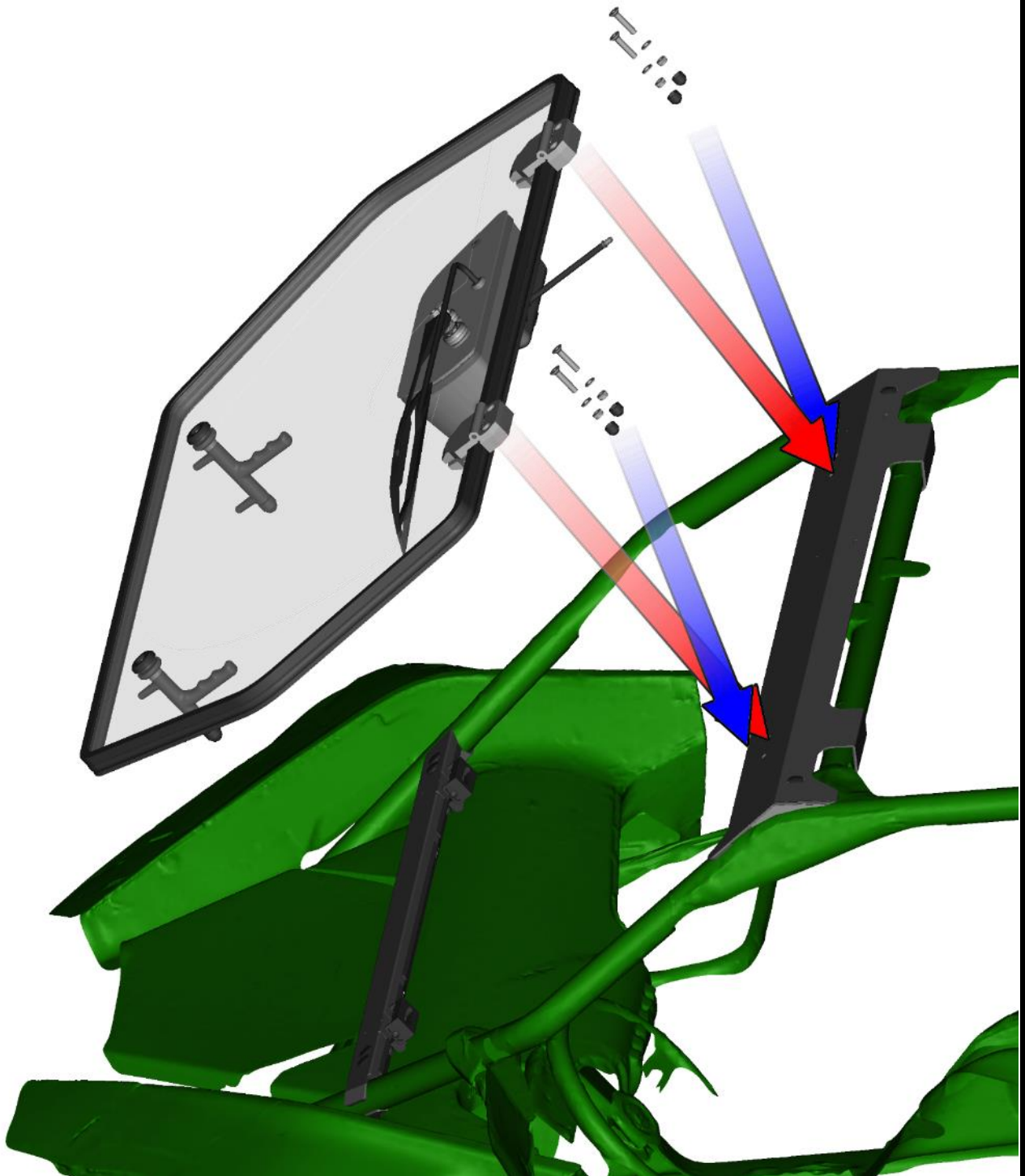
52

Fix the upper ledge with the vehicle frame by included screws, washers, nuts and covers.



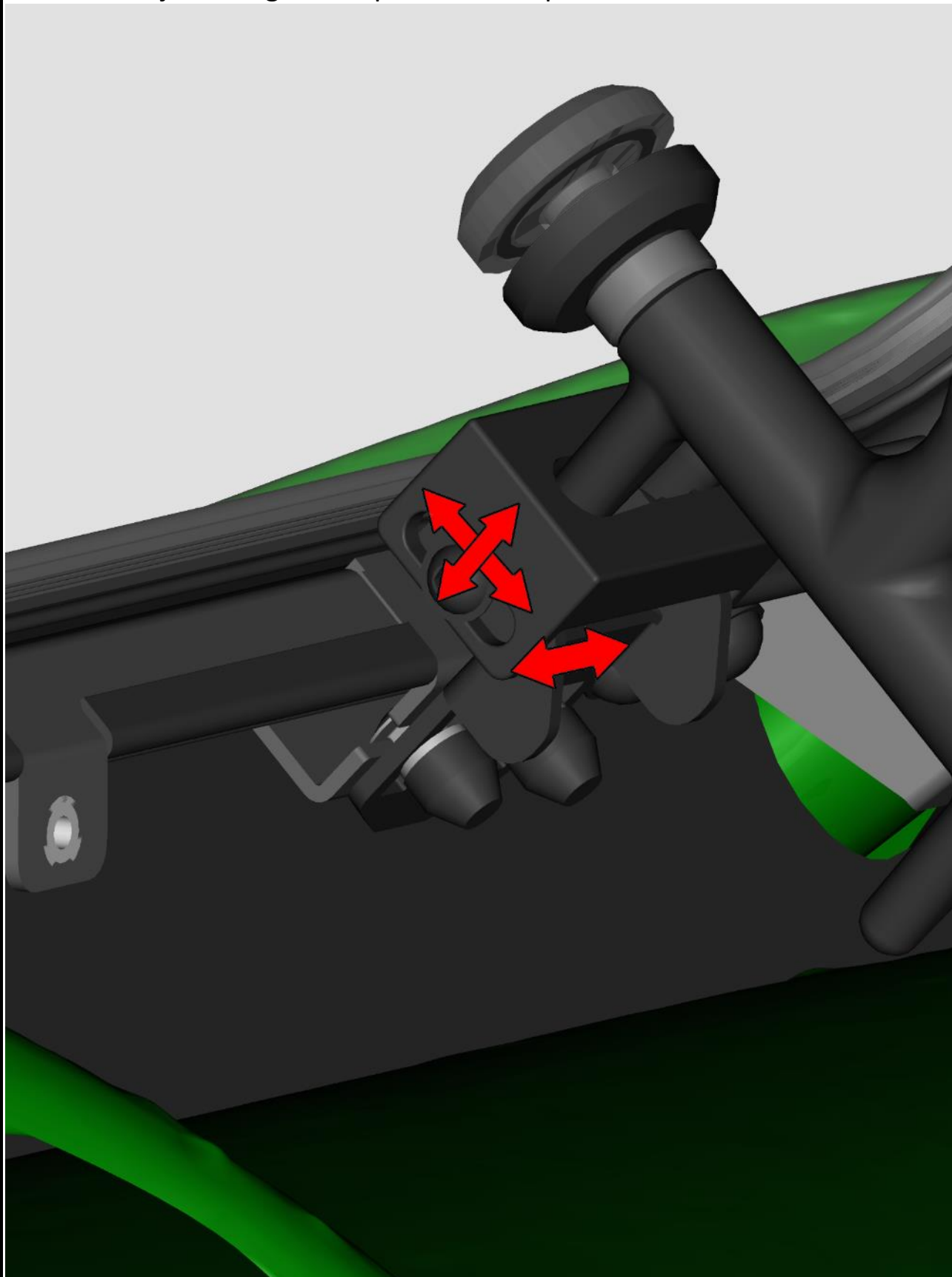
53

Place the front window with hinges onto the front upper ledge.
Fix the hinges with the ledge by included screws, washers, nuts and covers.



54

Adjust the glass stop to the best position on both sides.



55

ELECTROINSTALLATION 2.

Place the wiper harness into the battery space.
Run the wiper harness and washer harness from the battery space to the front right inner part of the cabine.



56

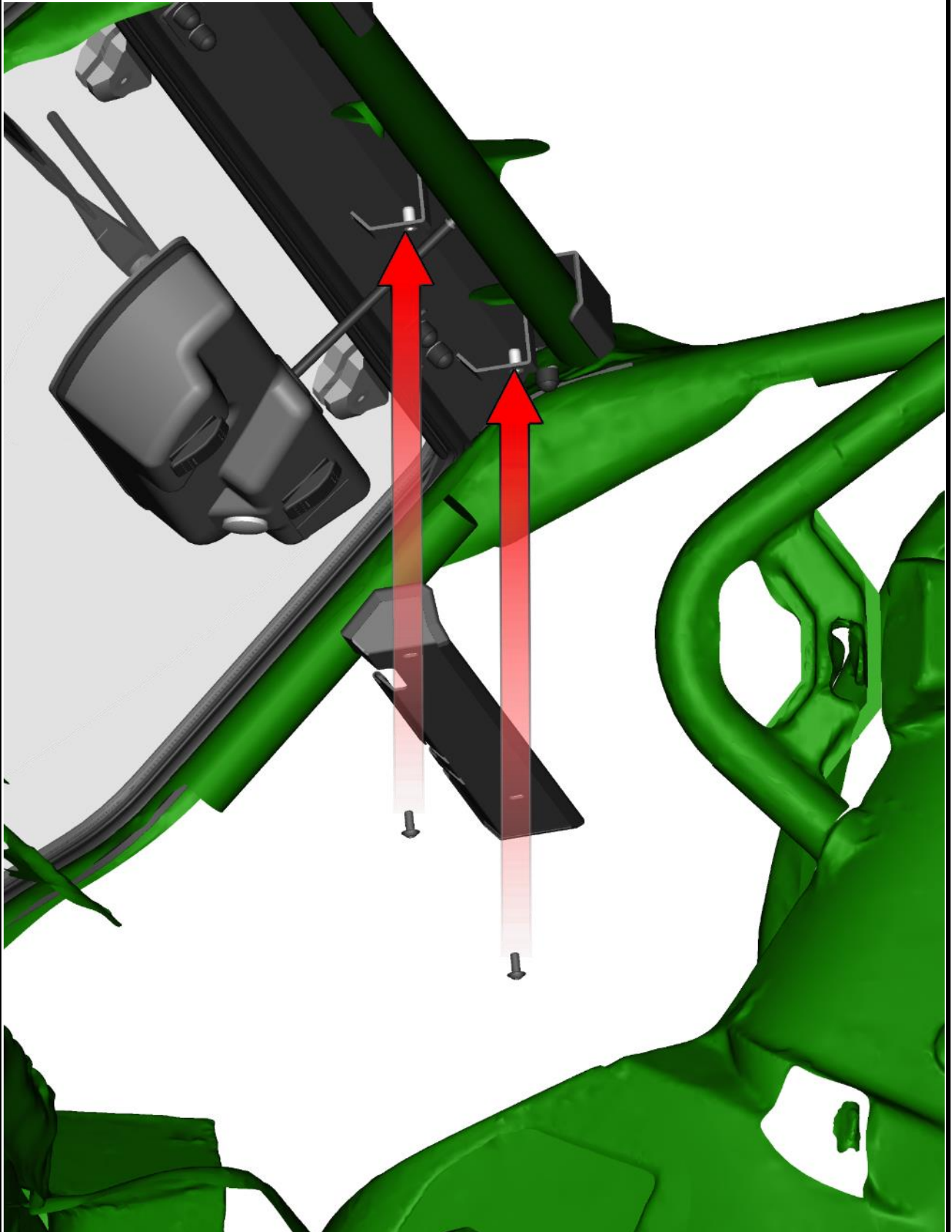
Run the wiper harness and the washer harness around the vehicle frame to the front upper part.



Connect the the washer harness, washer hose and wiper harness with the wiper mottor assembly harness.

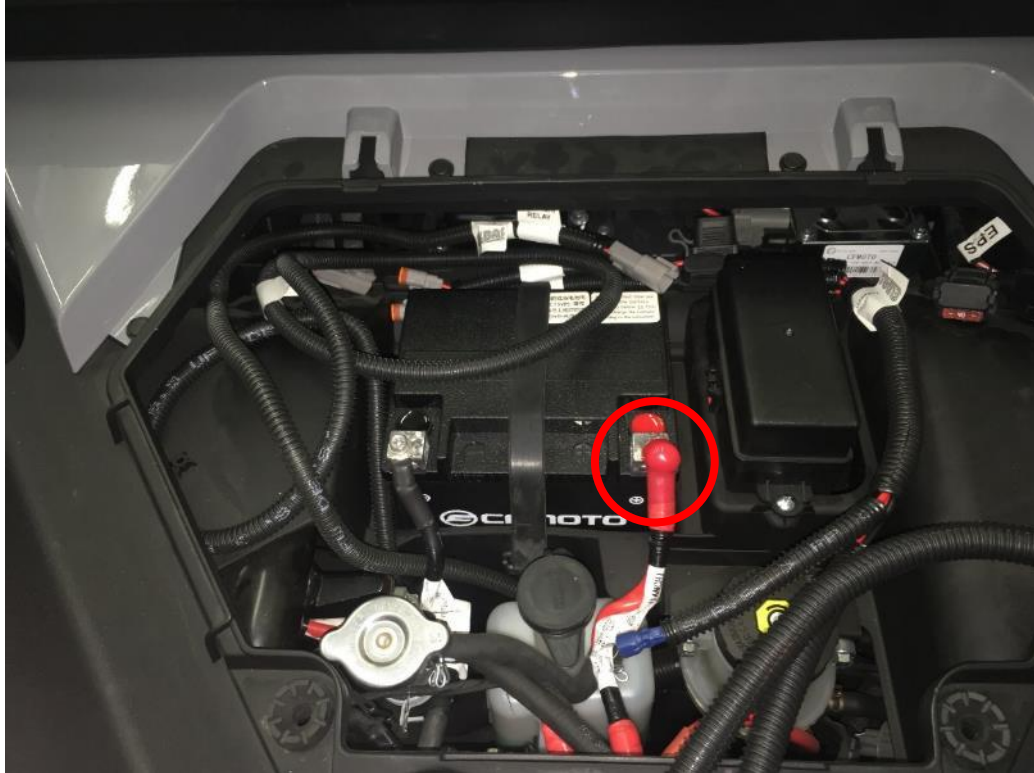


Place the harness cover onto the front upper ledge.
Fix the cover with the ledge by included screws.

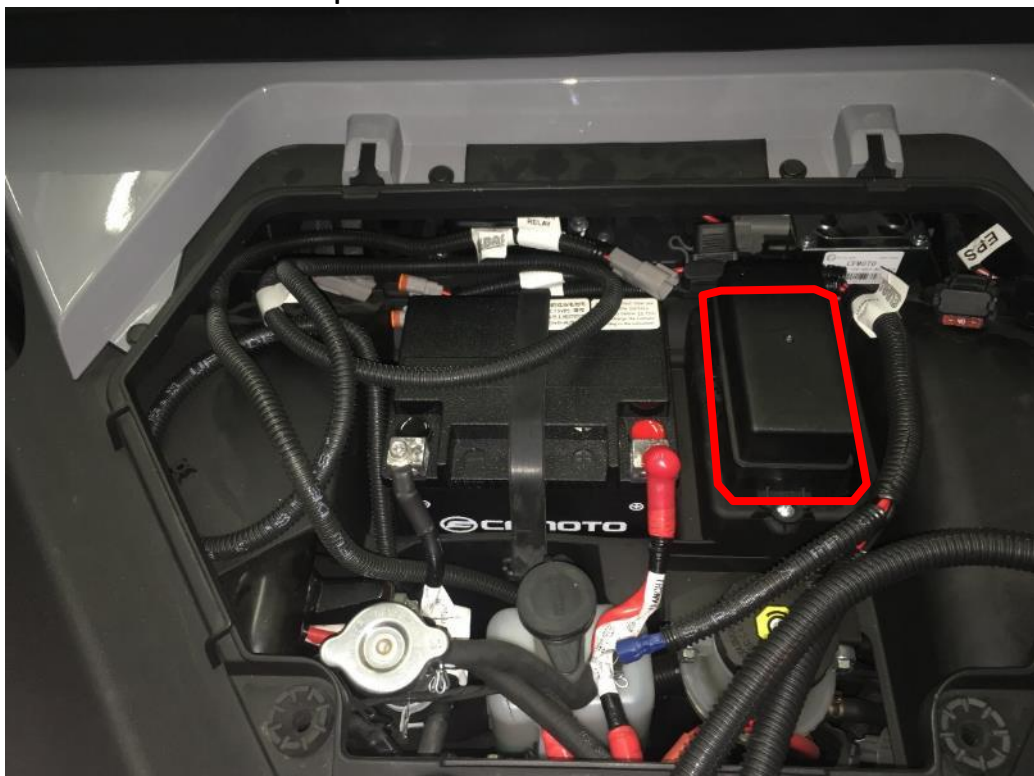


58

Connect the relay harness with the battery.
Red wire has to be connected to battery contact “+” (red circle).
Black wire has to be connected to battery contact “-”.



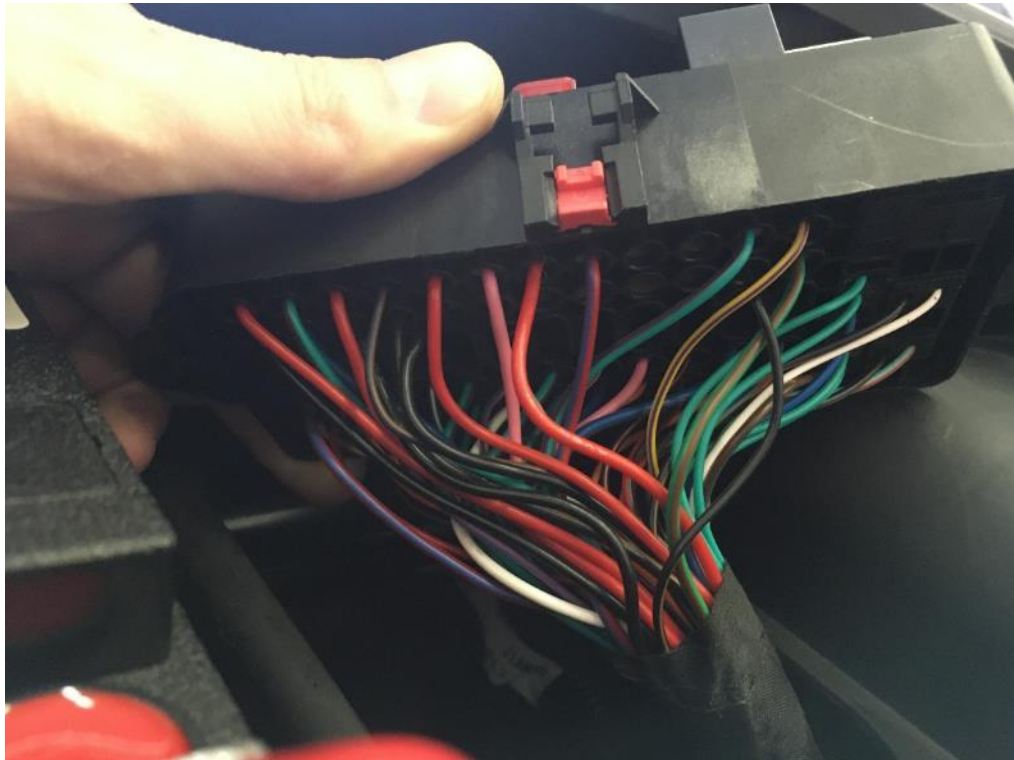
Open the fuse box cover.



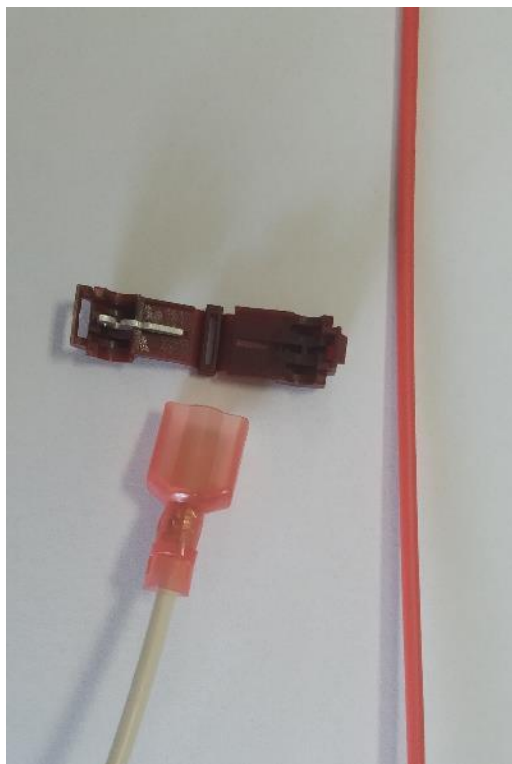
Take out the fuse box.



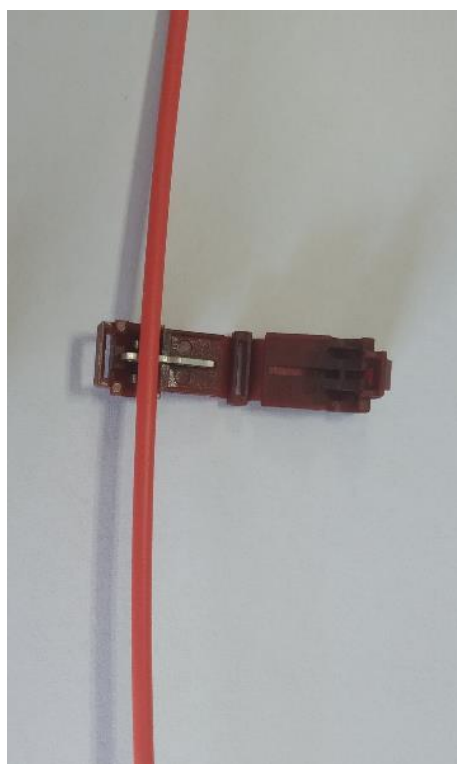
Find the original wire with + 12V ACC. Install the the included tap connector onto the wire +12V ACC. SEE NEXT PAGES



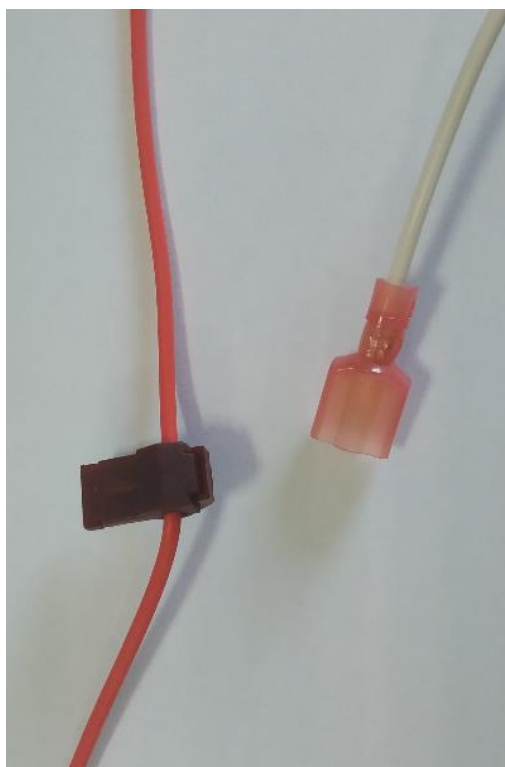
1.



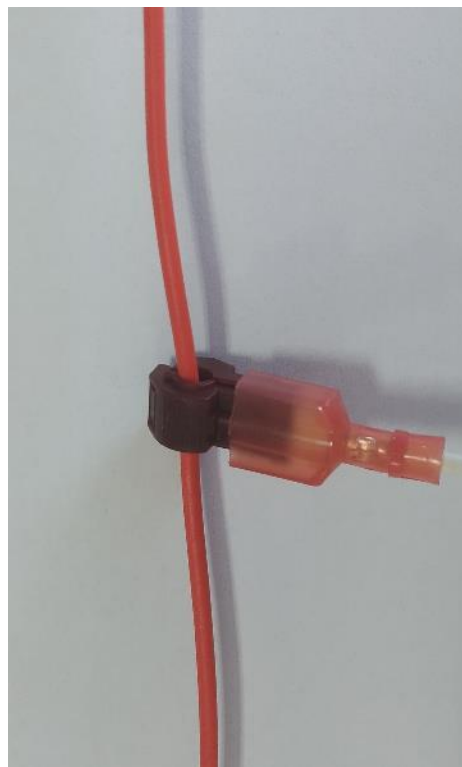
2.



3.



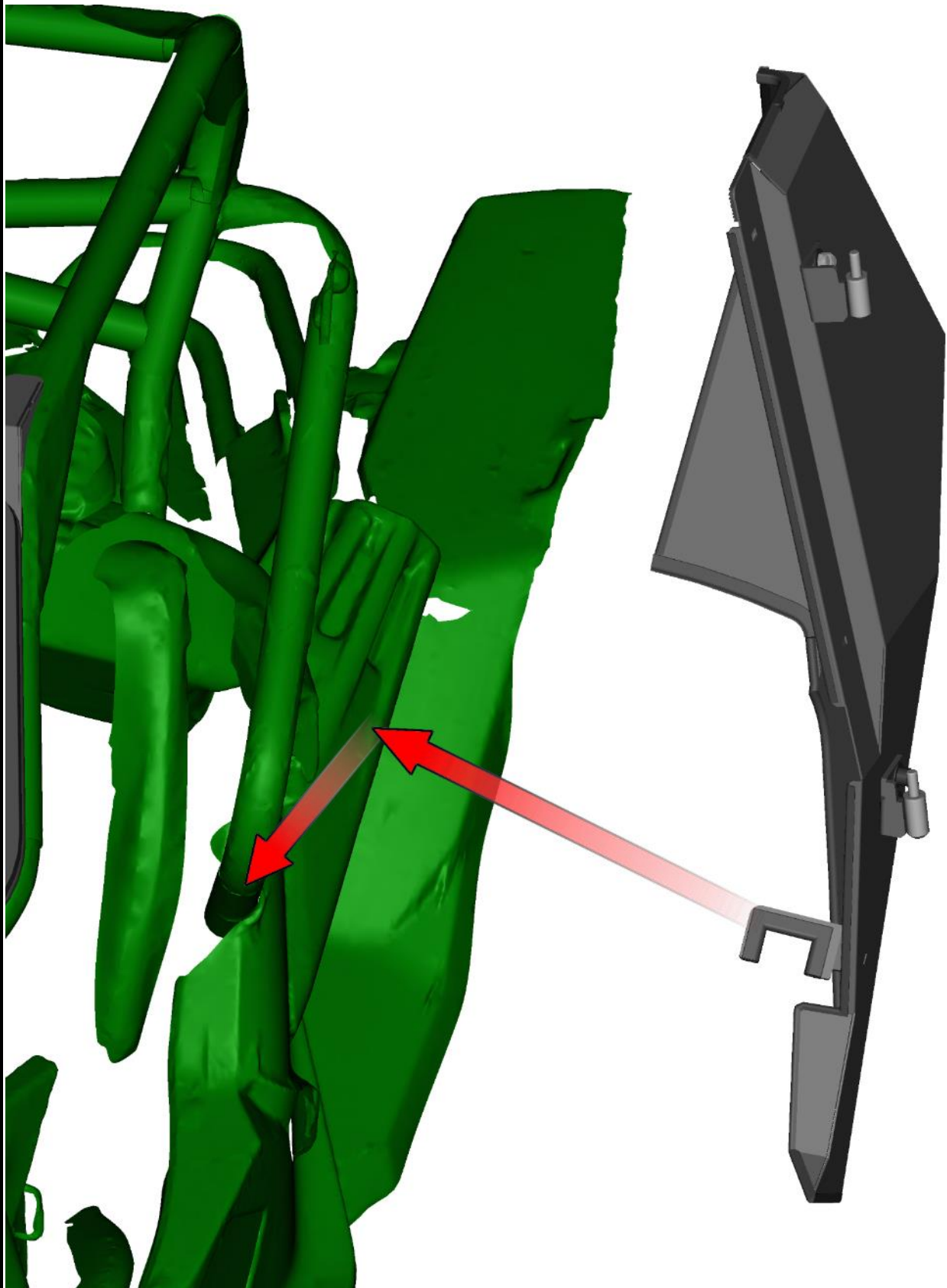
4.



61

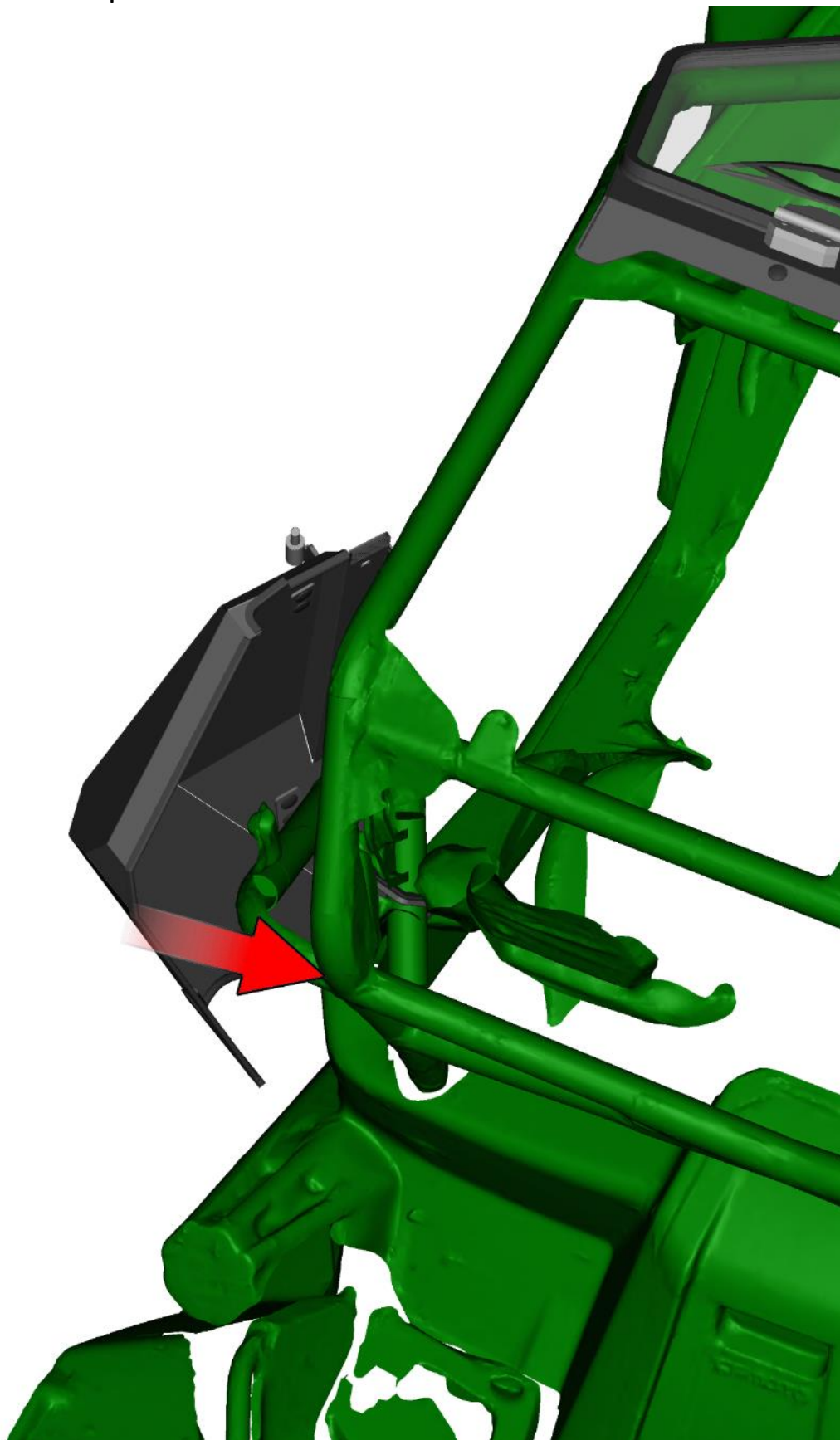
LEFT DOOR + RIGHT DOOR 1.

Place the left door base hook onto the vehicle frame.



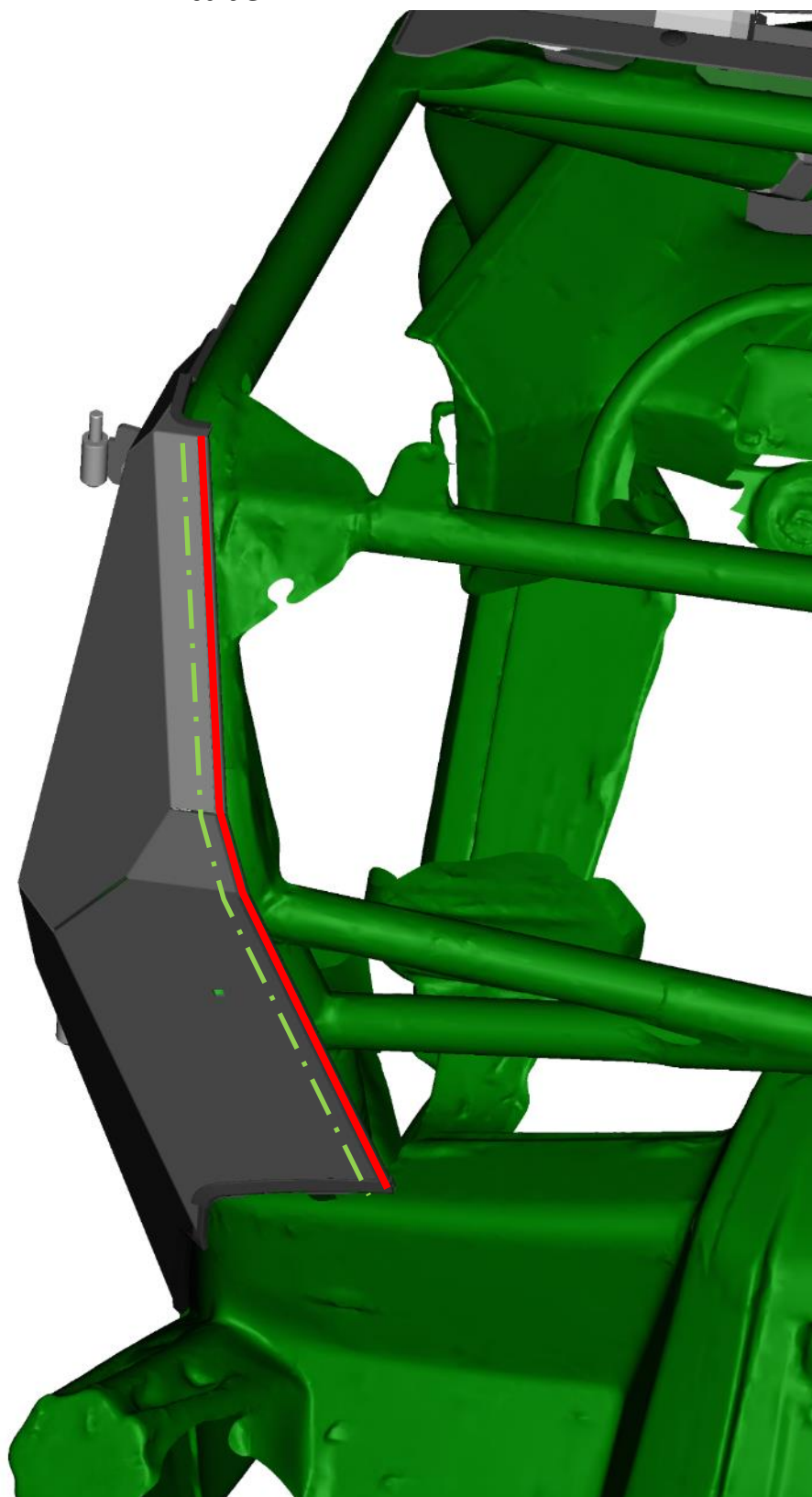
62

Turn and push the base onto the vehicle frame.



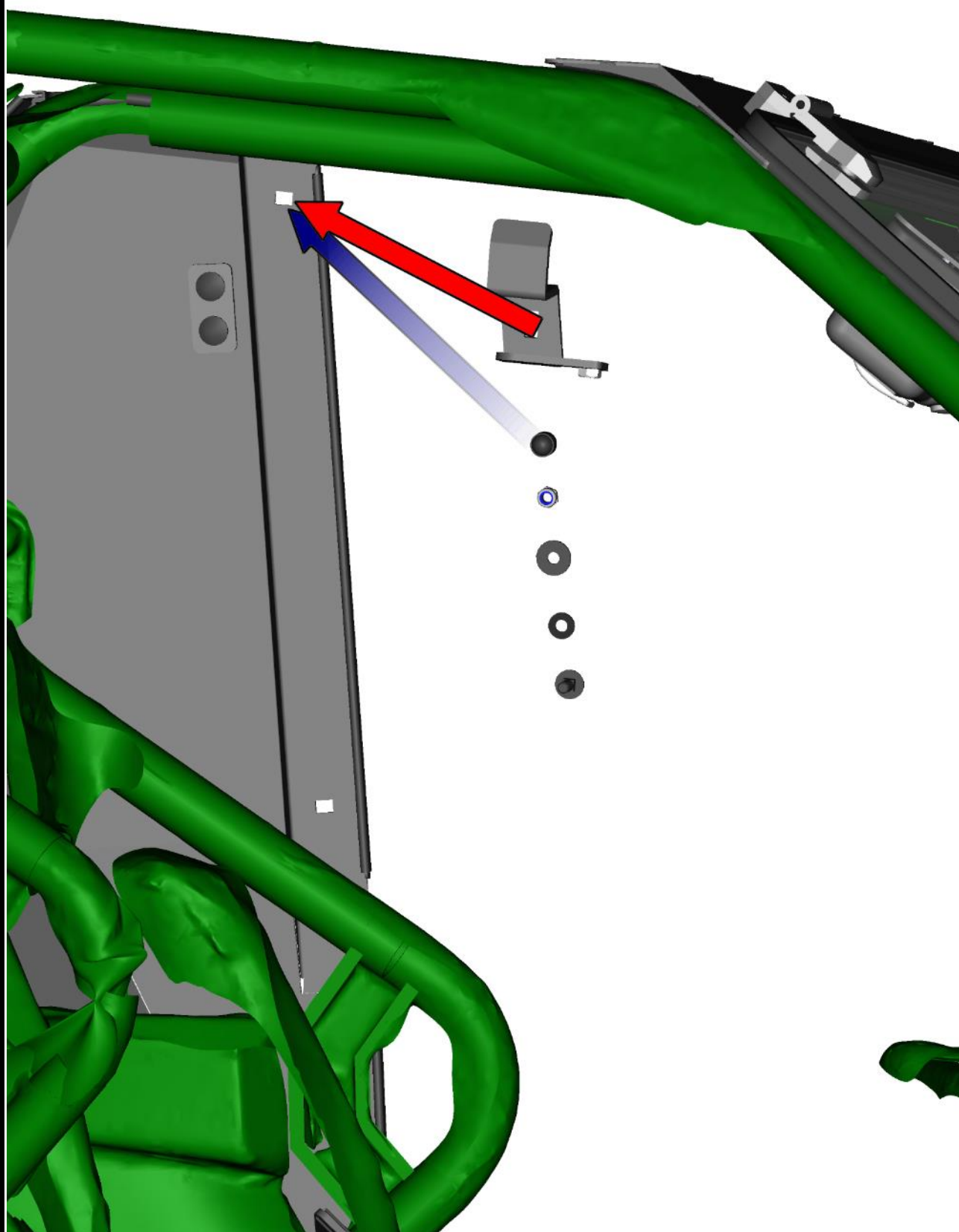
63

Adjust the door base to the best position. Rear edge (red line) of the door base has to seat above the central axis (green line) of the vehicle frame tube.



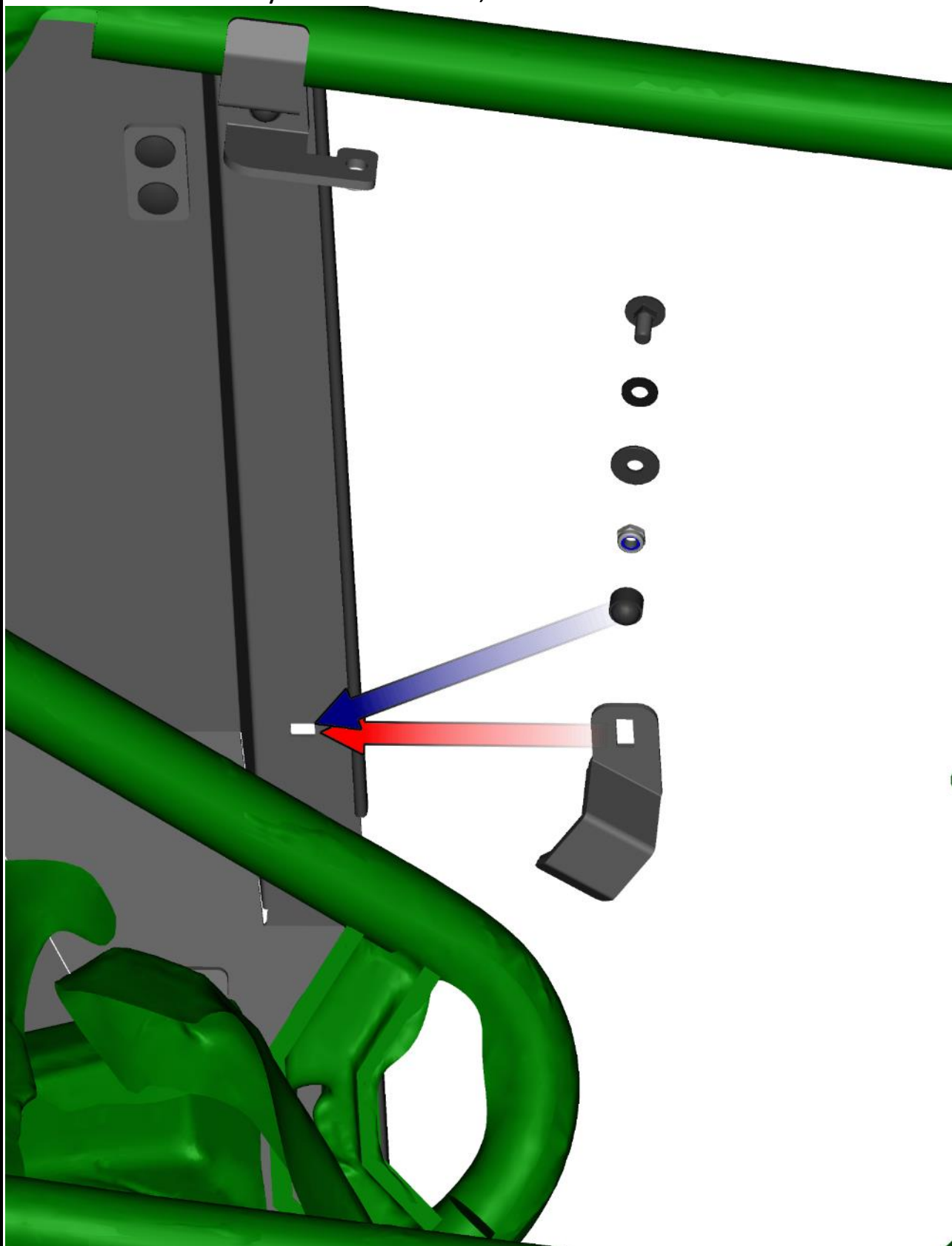
64

Place the left upper holder onto the door base. Fix the holder with the base by included screw, washer nut and cover.



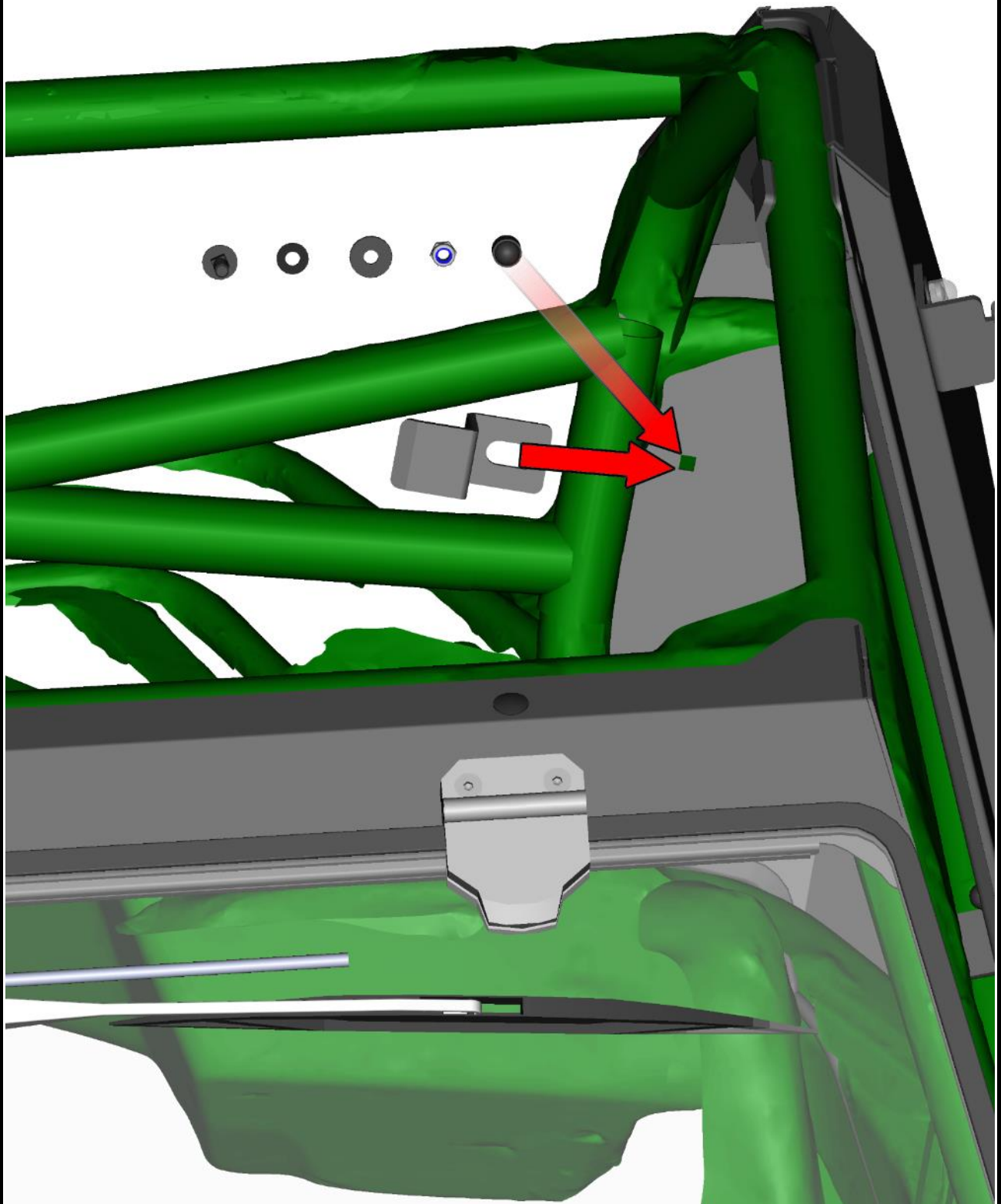
65

Place the left bottom holder onto the door base. Fix the holder with the base by included screw, washer nut and cover.



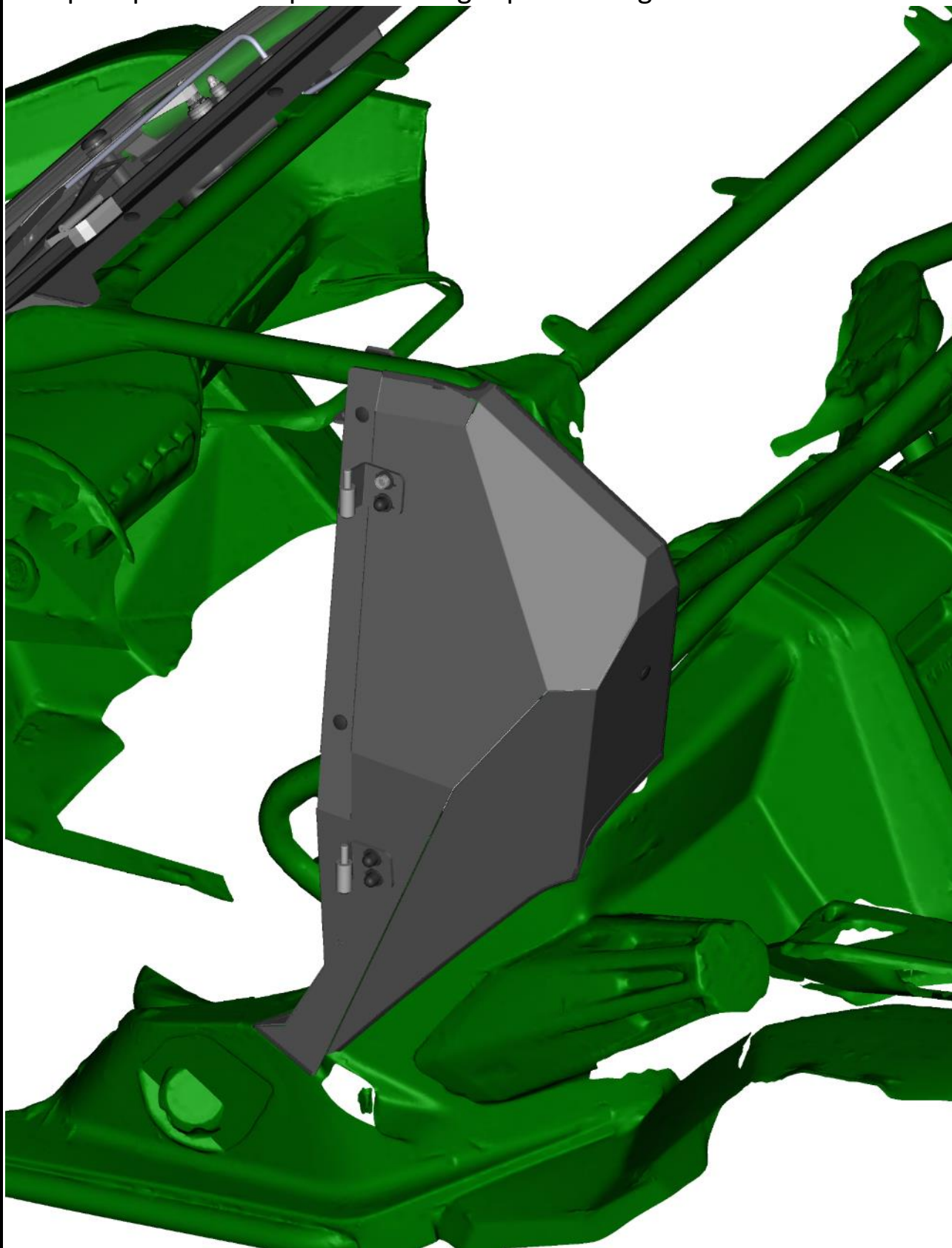
66

Place the left rear holder onto the door base. Fix the holder with the base by included screw, washer nut and cover.



67

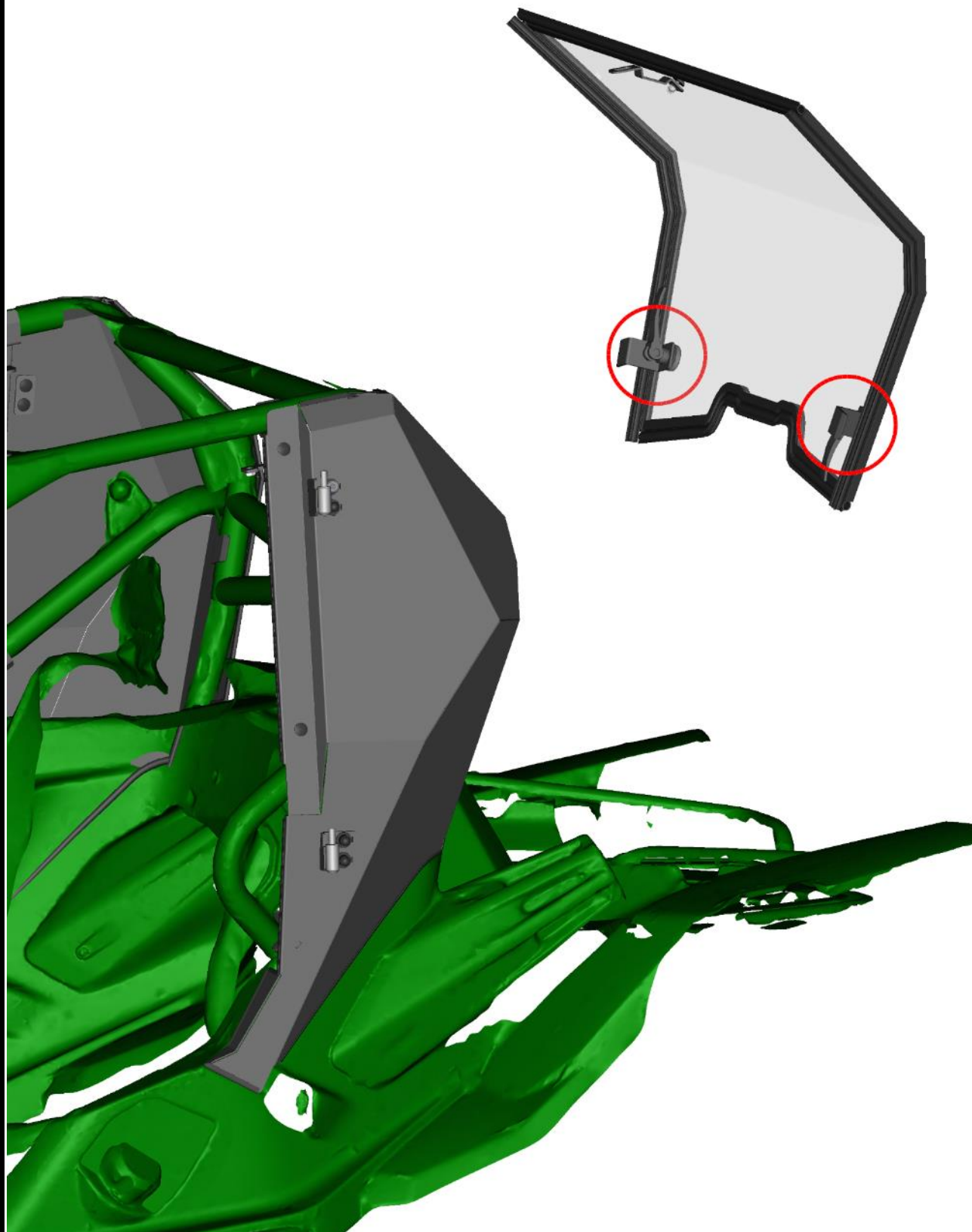
Adjust the door base to the best position and tighten holder nuts hard.
Repeat previous steps with the right parts on right side of the vehicle.



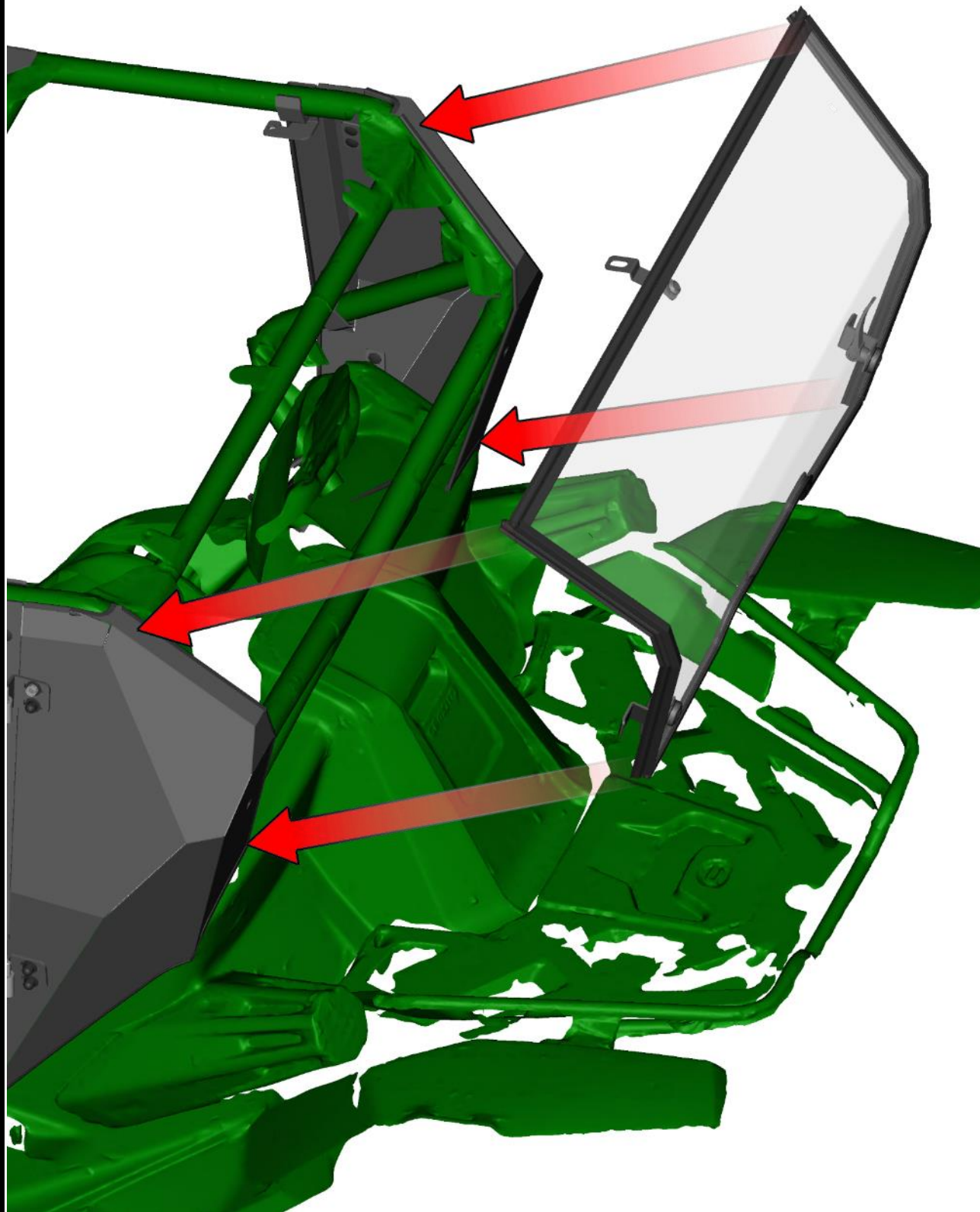
68

REAR PANEL

Loose holder screws and adjust the rear holders to the neutral position.

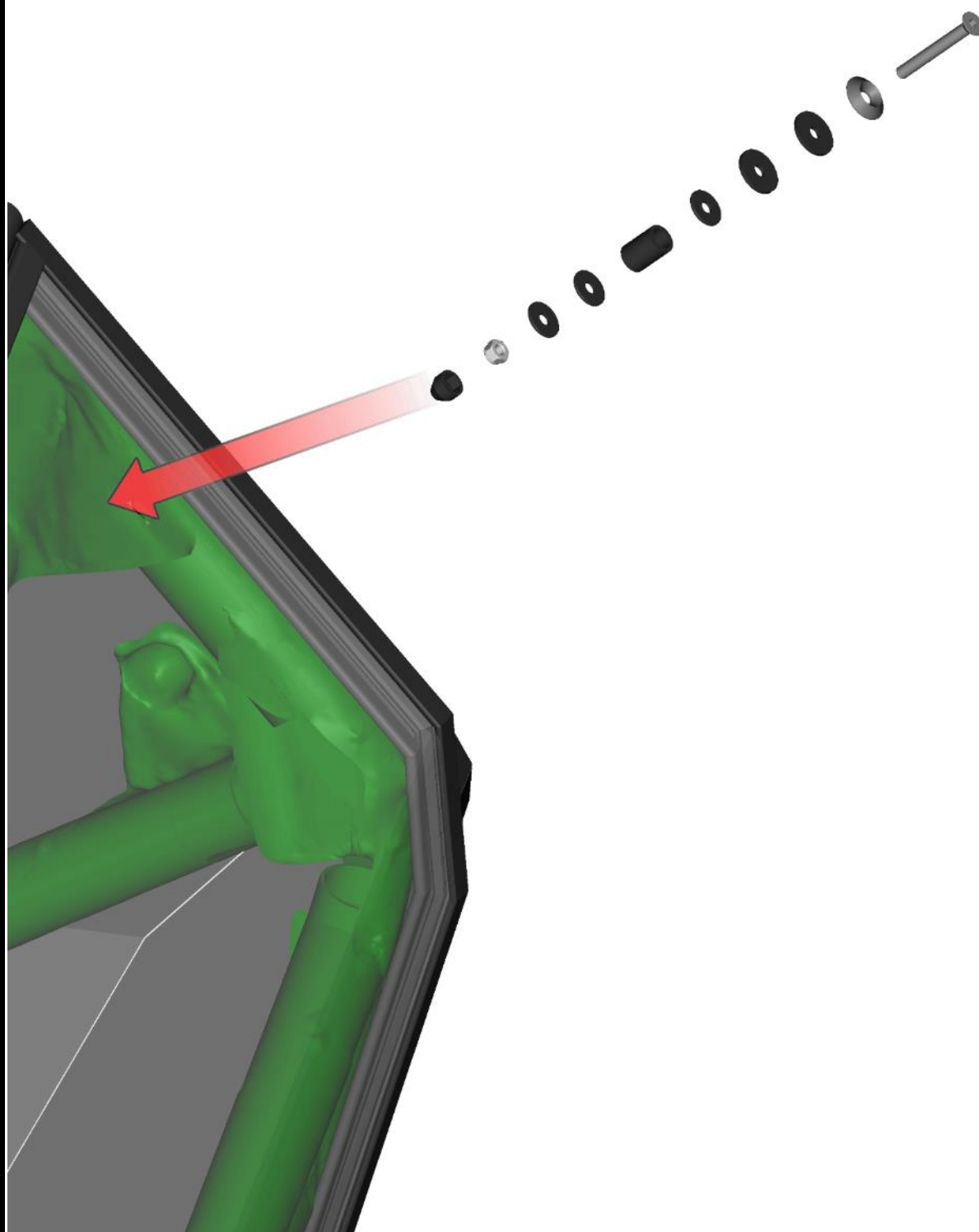


Place the rear window onto the door base.

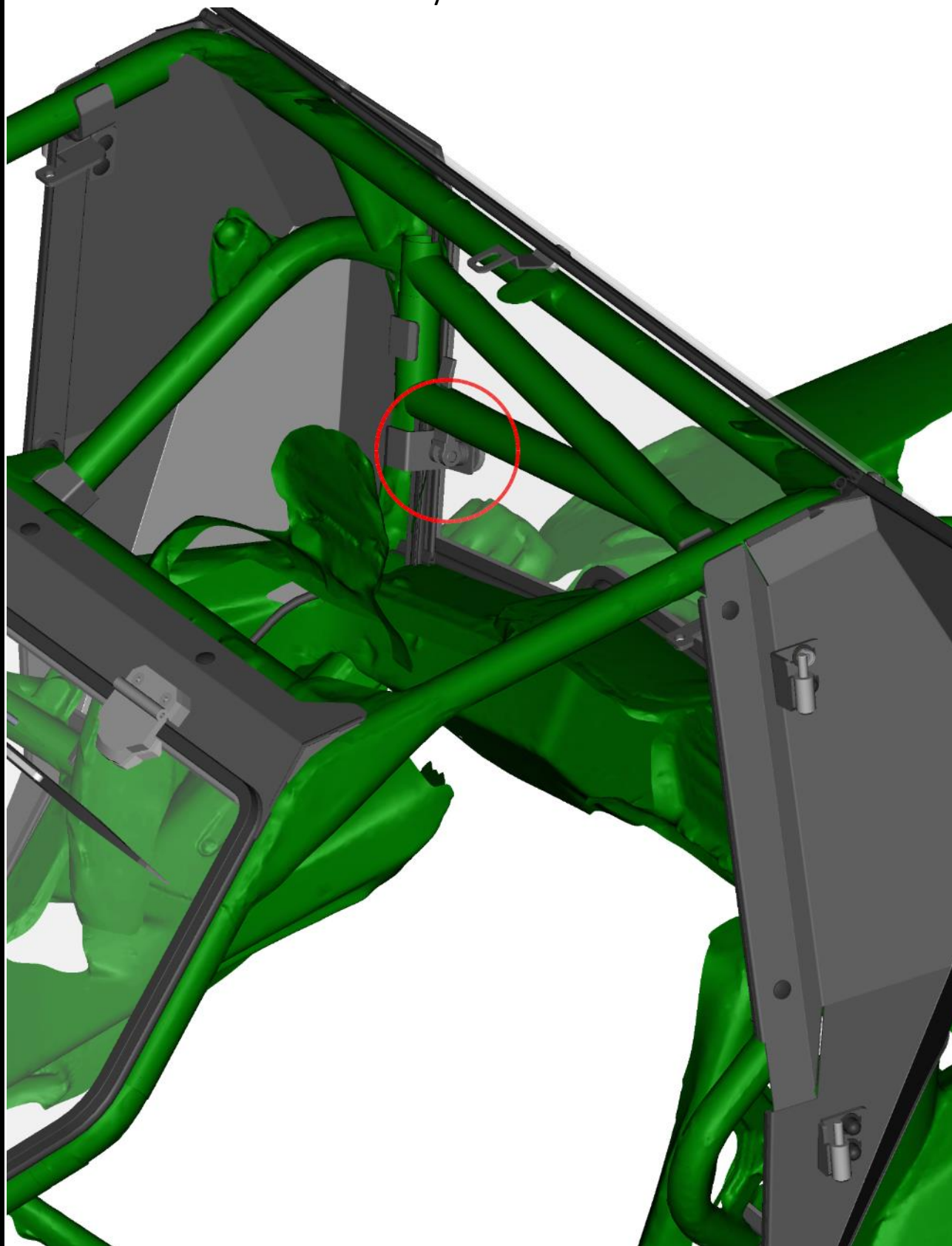


70

Fix the rear window with the vehicle frame on both sides by included screw, washers, tube, nut and cover.



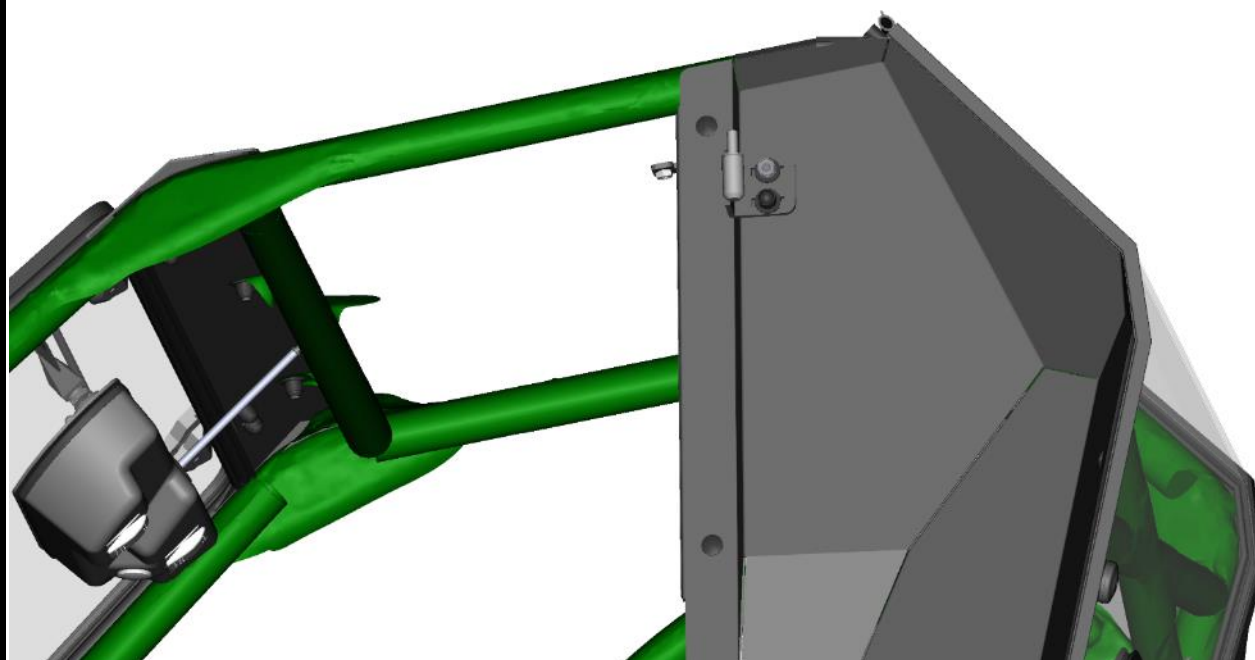
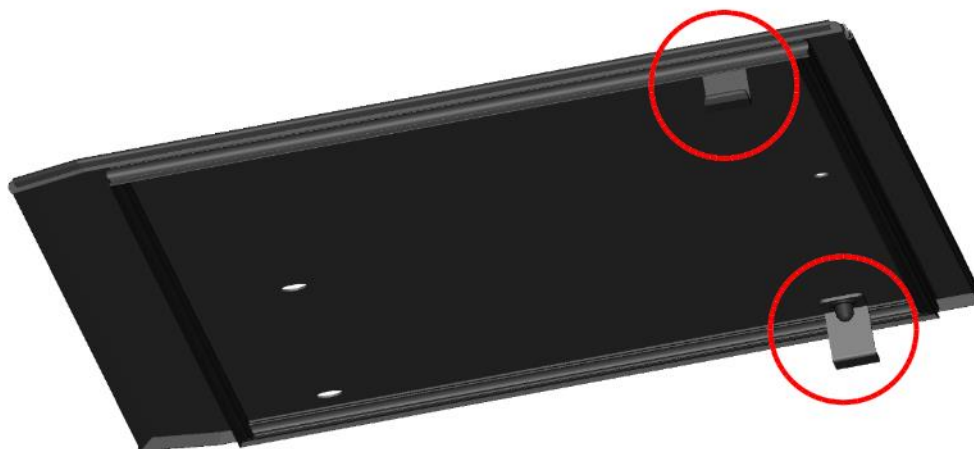
Adjust the rear holders back to correct position and tighten holder screws correctly on both sides.



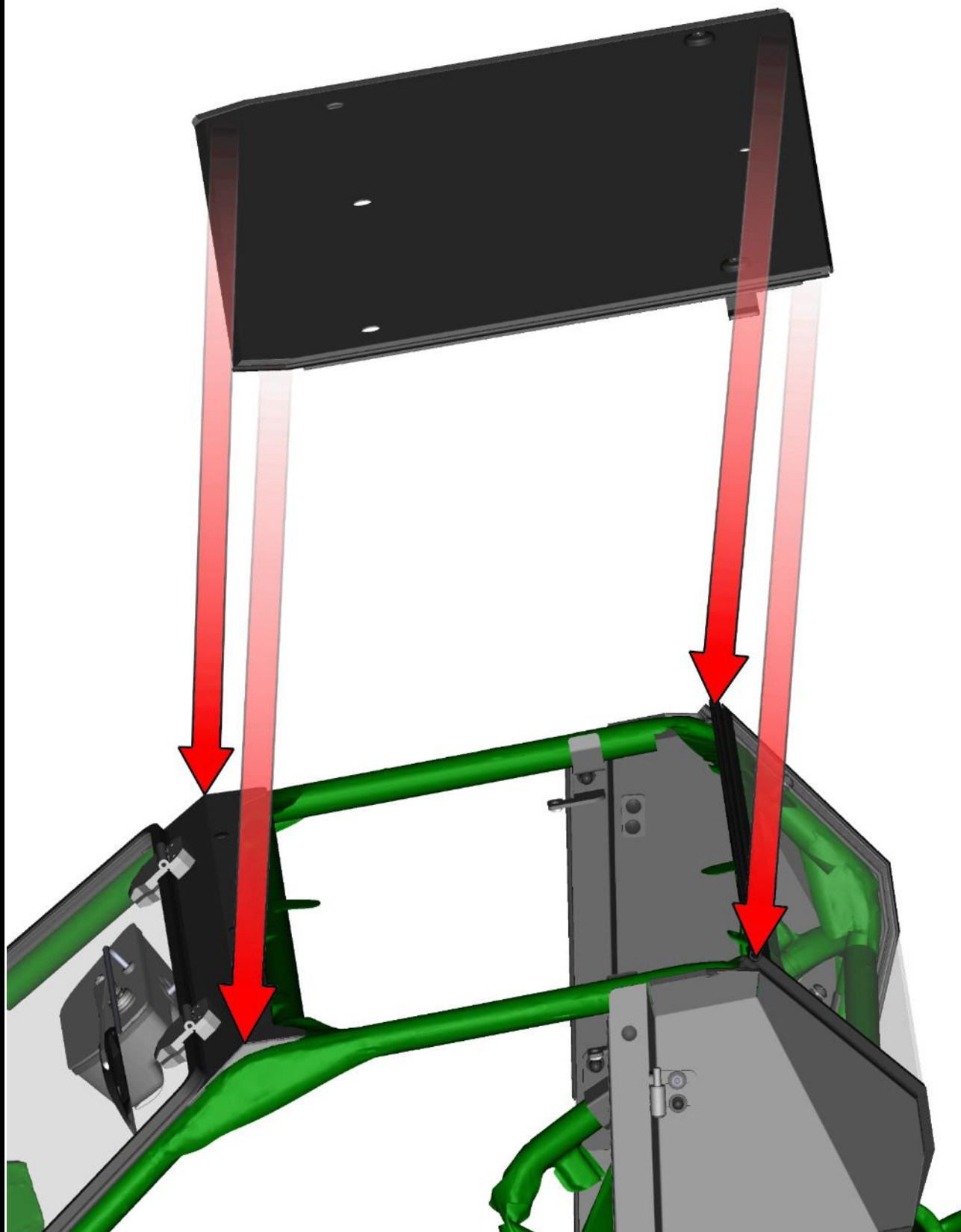
72

ROOF

Loose the holder screws and adjust the roof holders to neutral position.

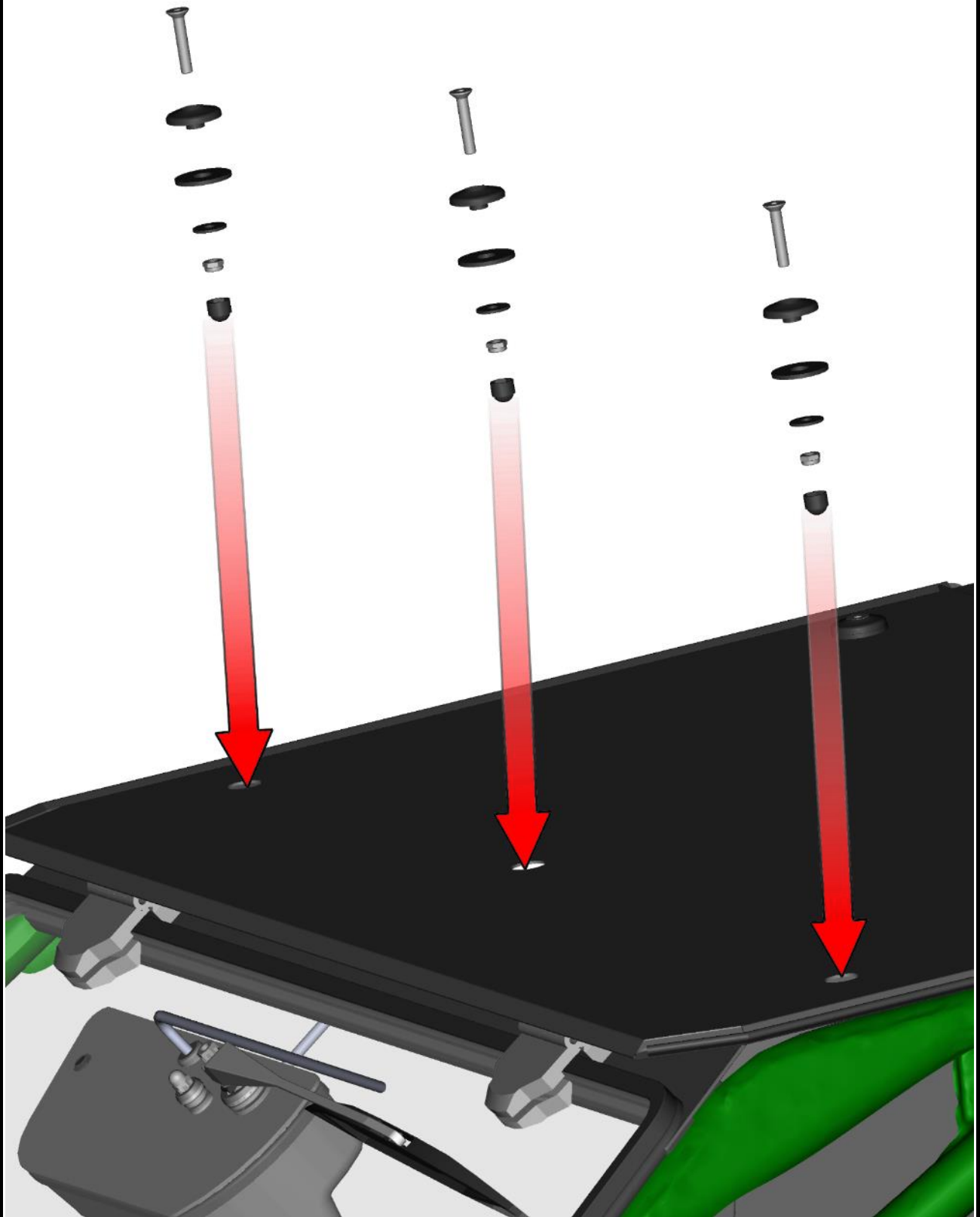


Place the roof onto the front upper ledge and onto the rear window.



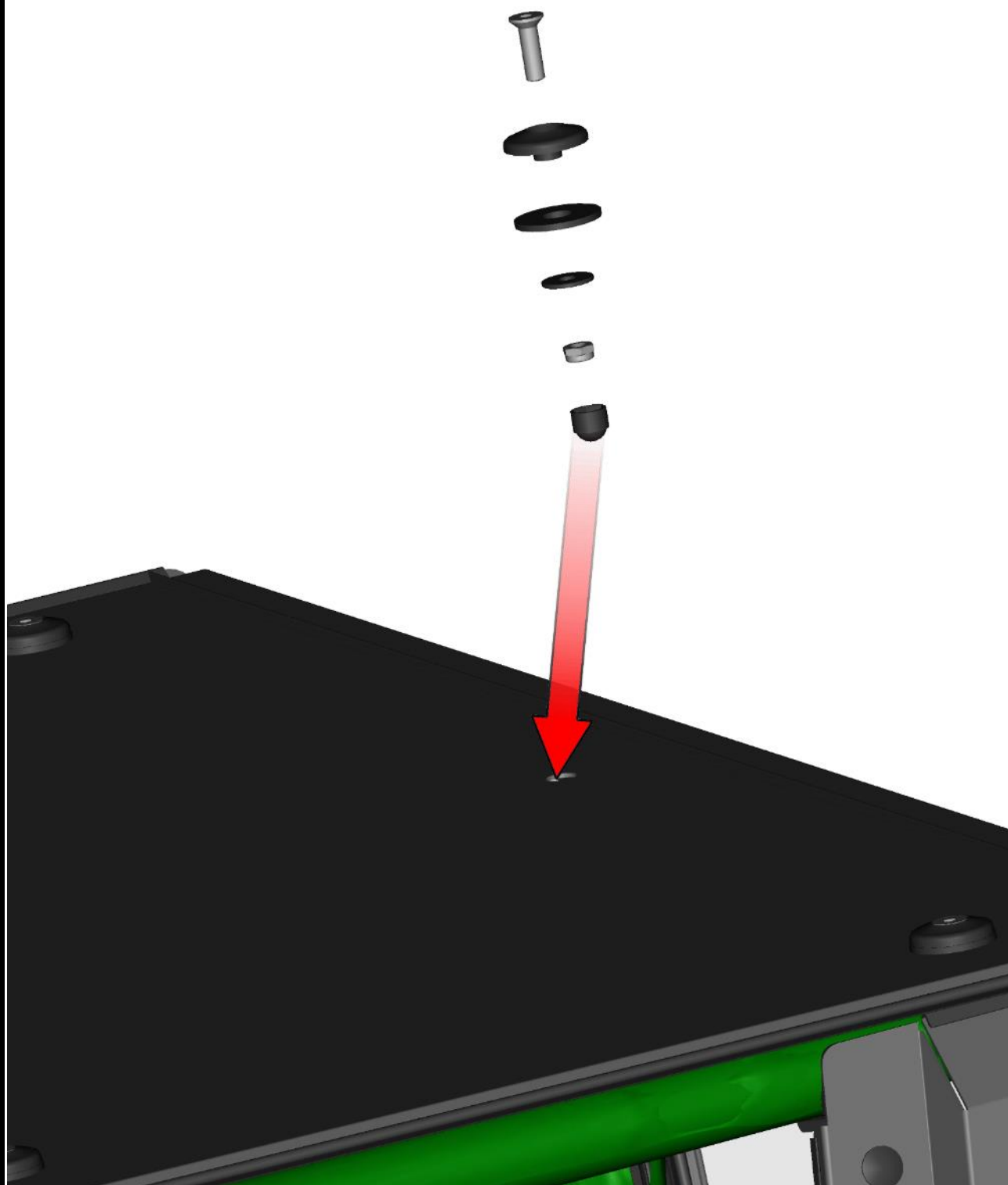
74

Adjust the roof to the correct position in accordance with the vehicle frame holes. Fix the roof with the vehicle frame by included screws, washers, nuts and covers.



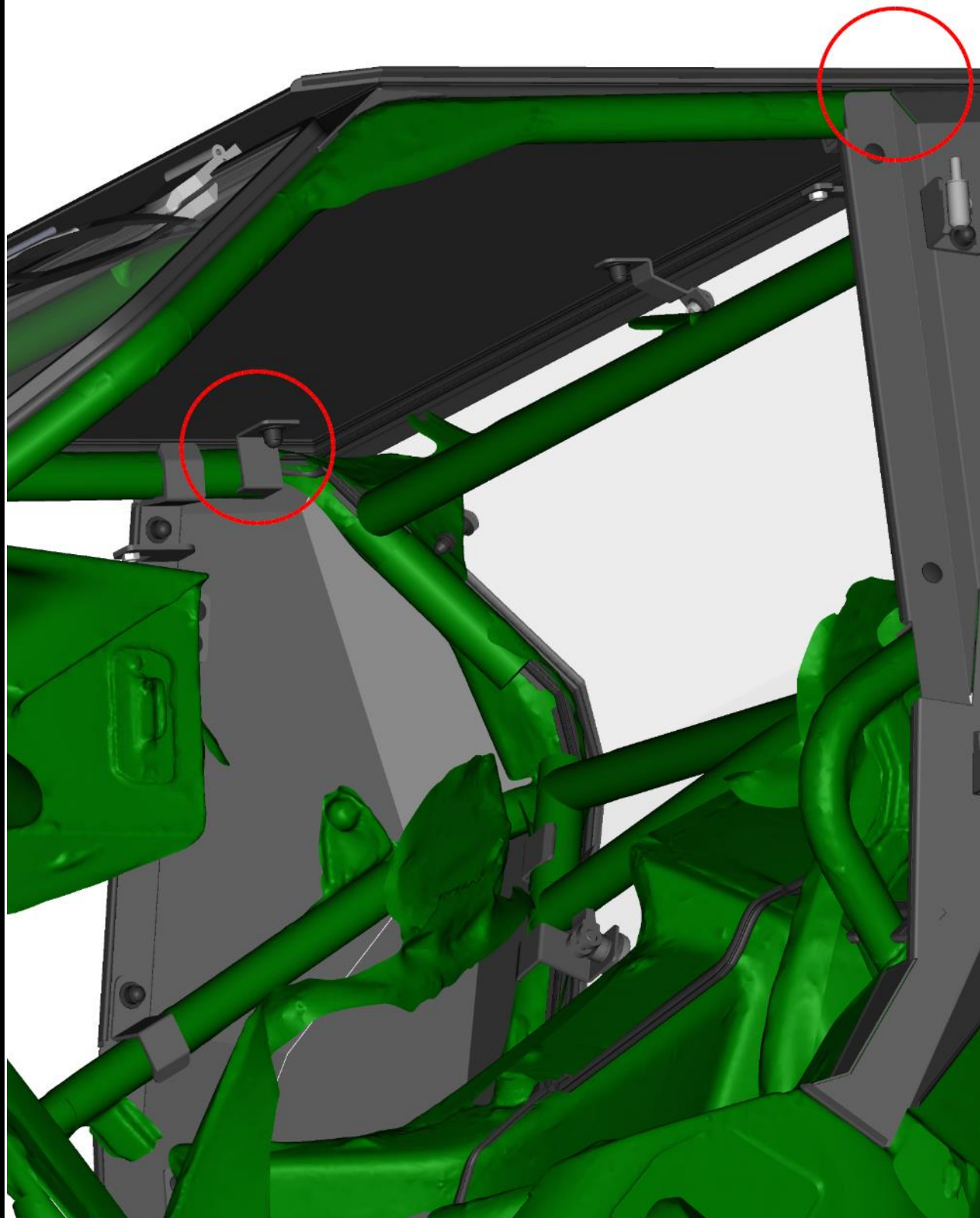
75

Fix the rear holder to the roof by included screw, washers, nut and cover.



76

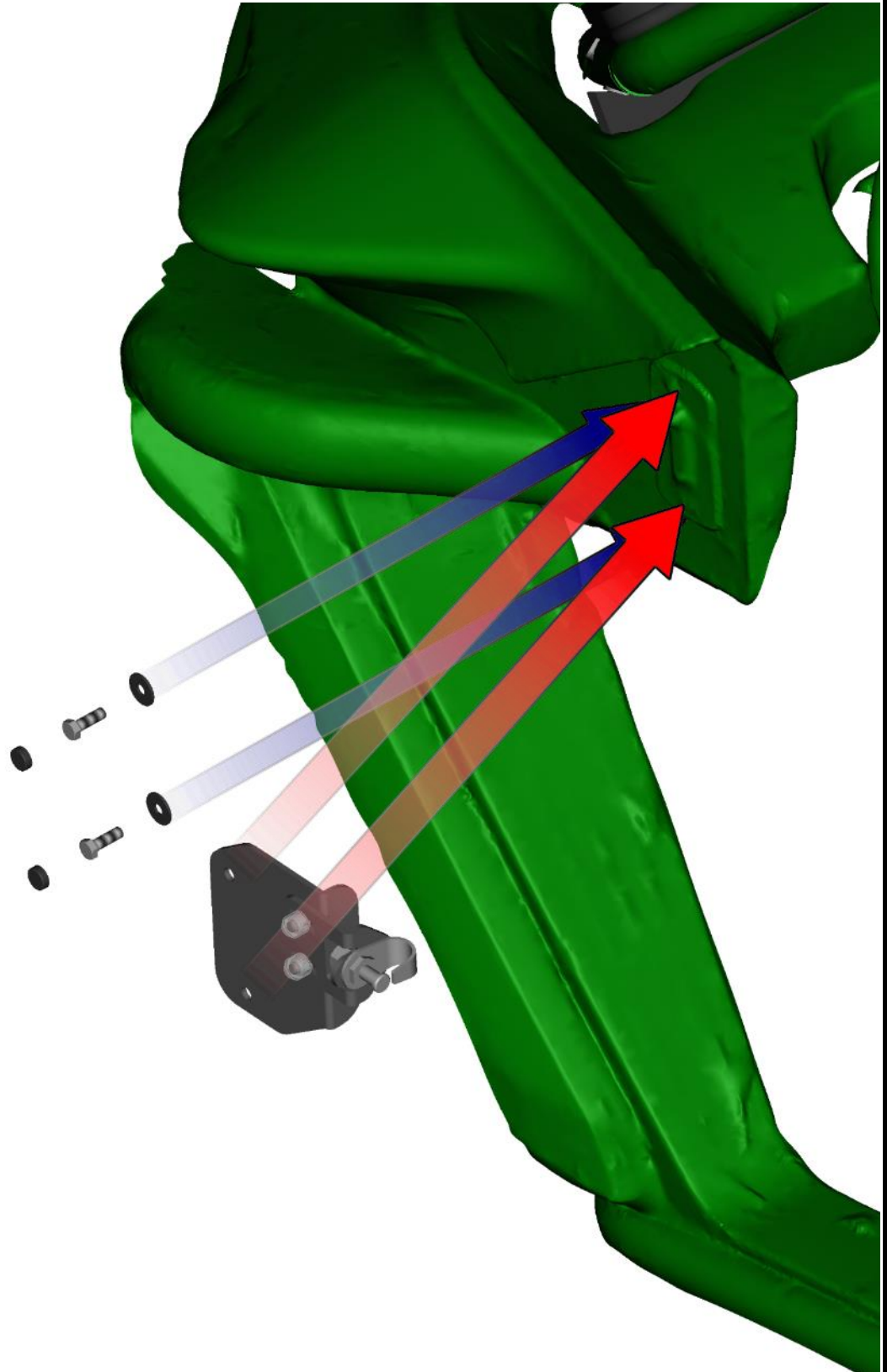
Adjust the roof holders to the correct position and tighten holder screws.



77

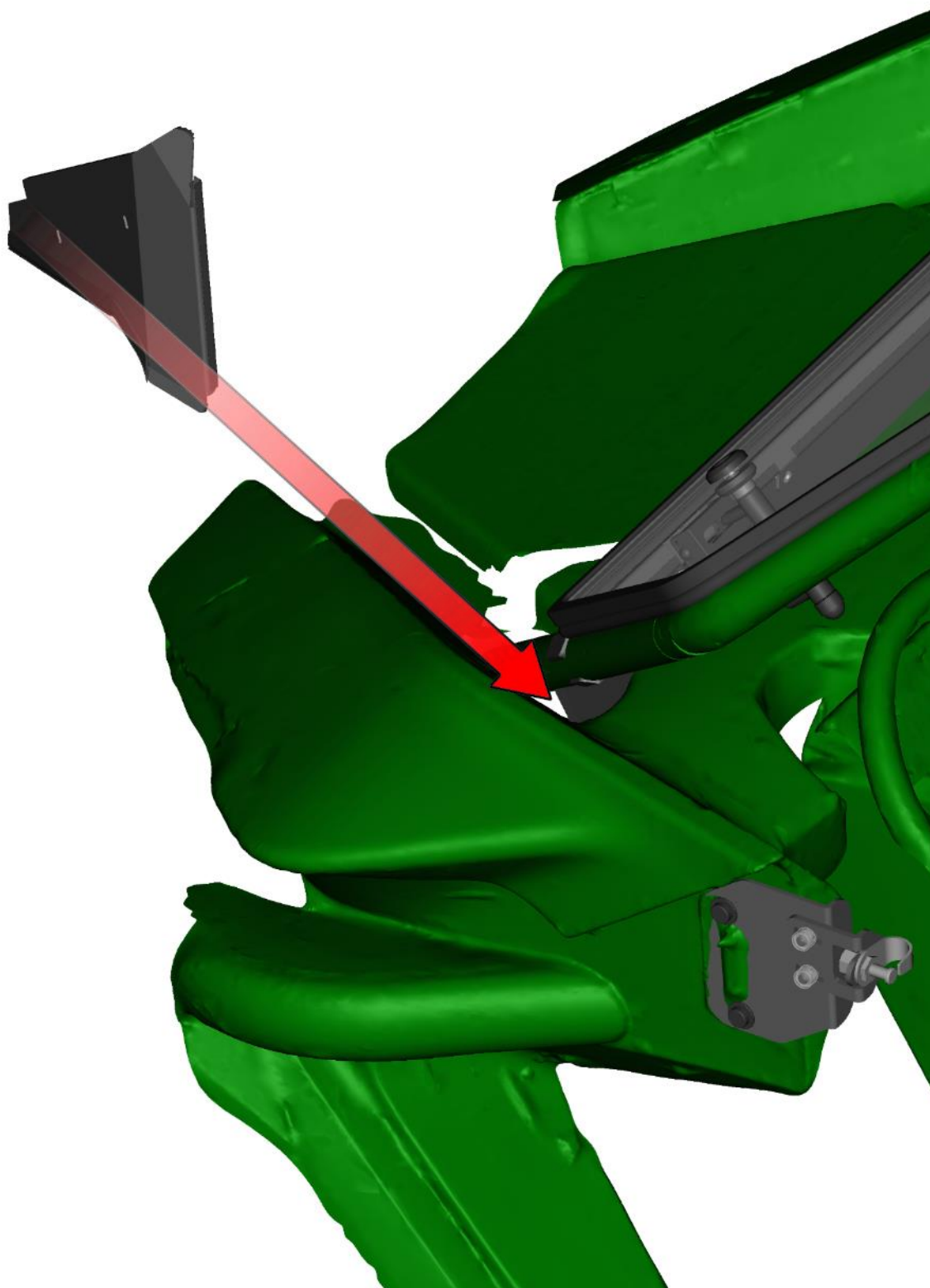
LEFT DOOR + RIGHT DOOR 2.

Place the left door stop holder onto the vehicle and fix the holder with the original fixing points by screws, washers and covers.



78

Place the front cover onto the dashboard.
SEE DETAIL VIEW ON THE NEXT PAGE



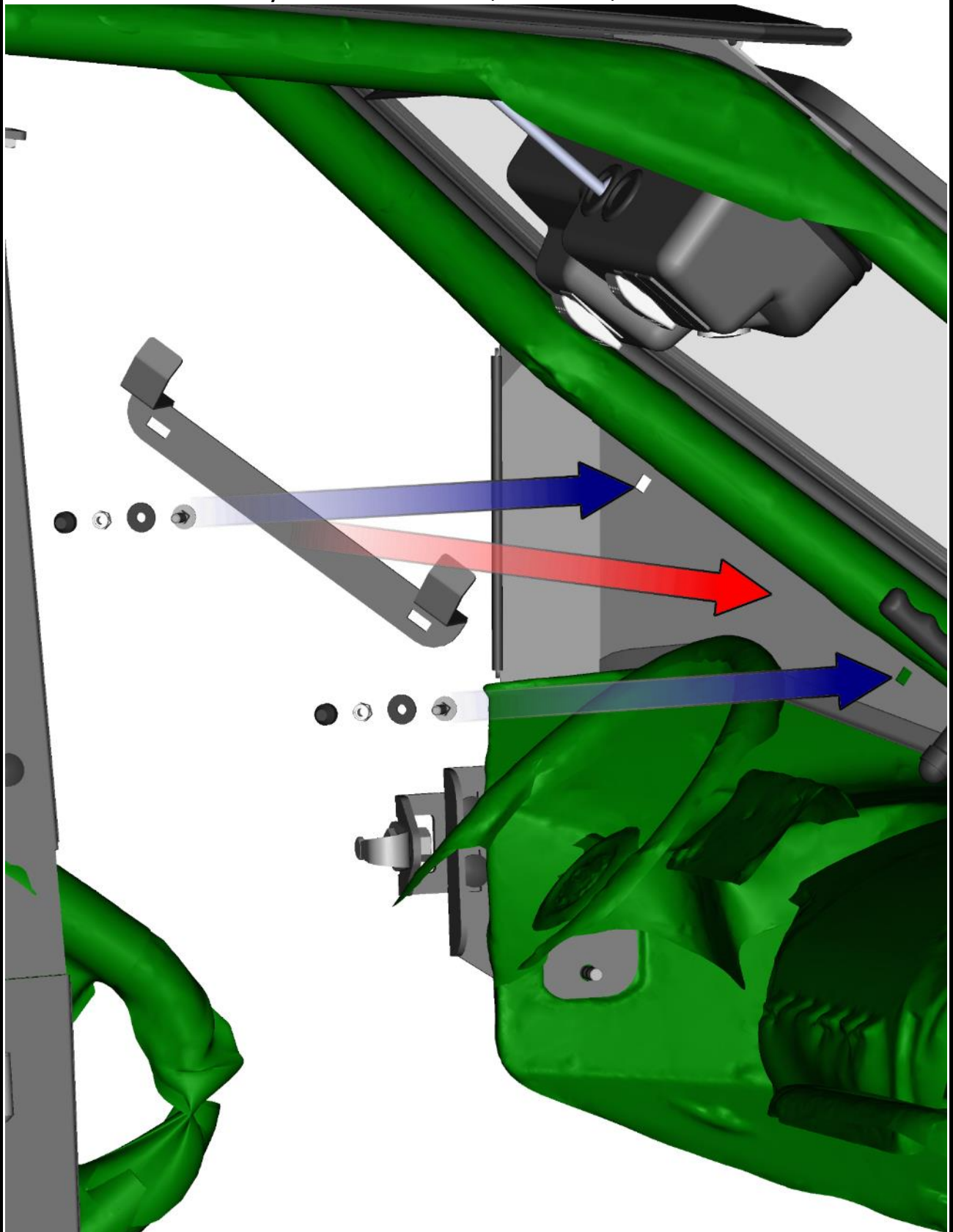
79

DETAIL VIEW ONTO THE INSTALLED COVER



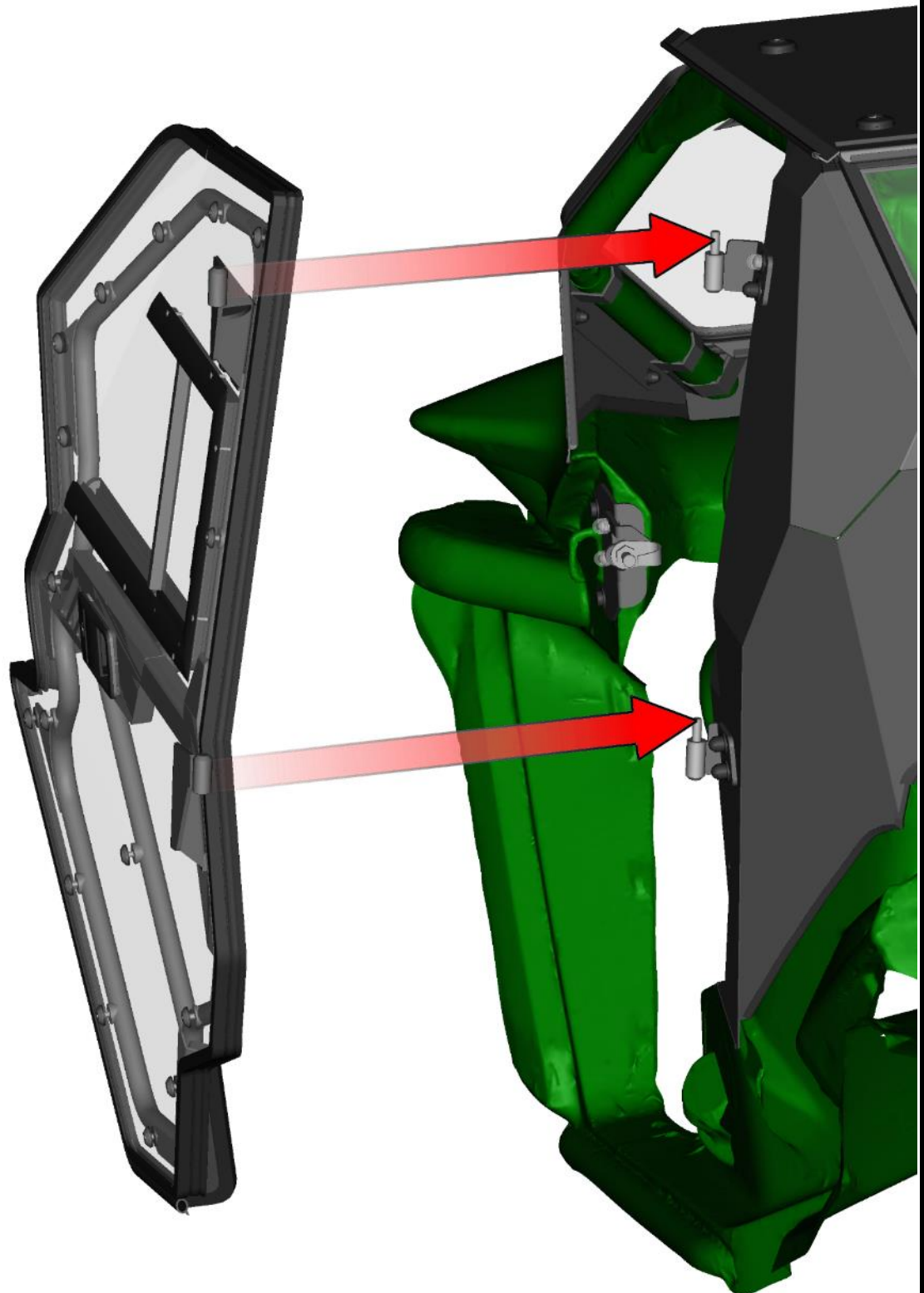
80

Place the front holder onto the cover. Fix the cover with the holder onto the frame by included screws, washers, nuts and covers.



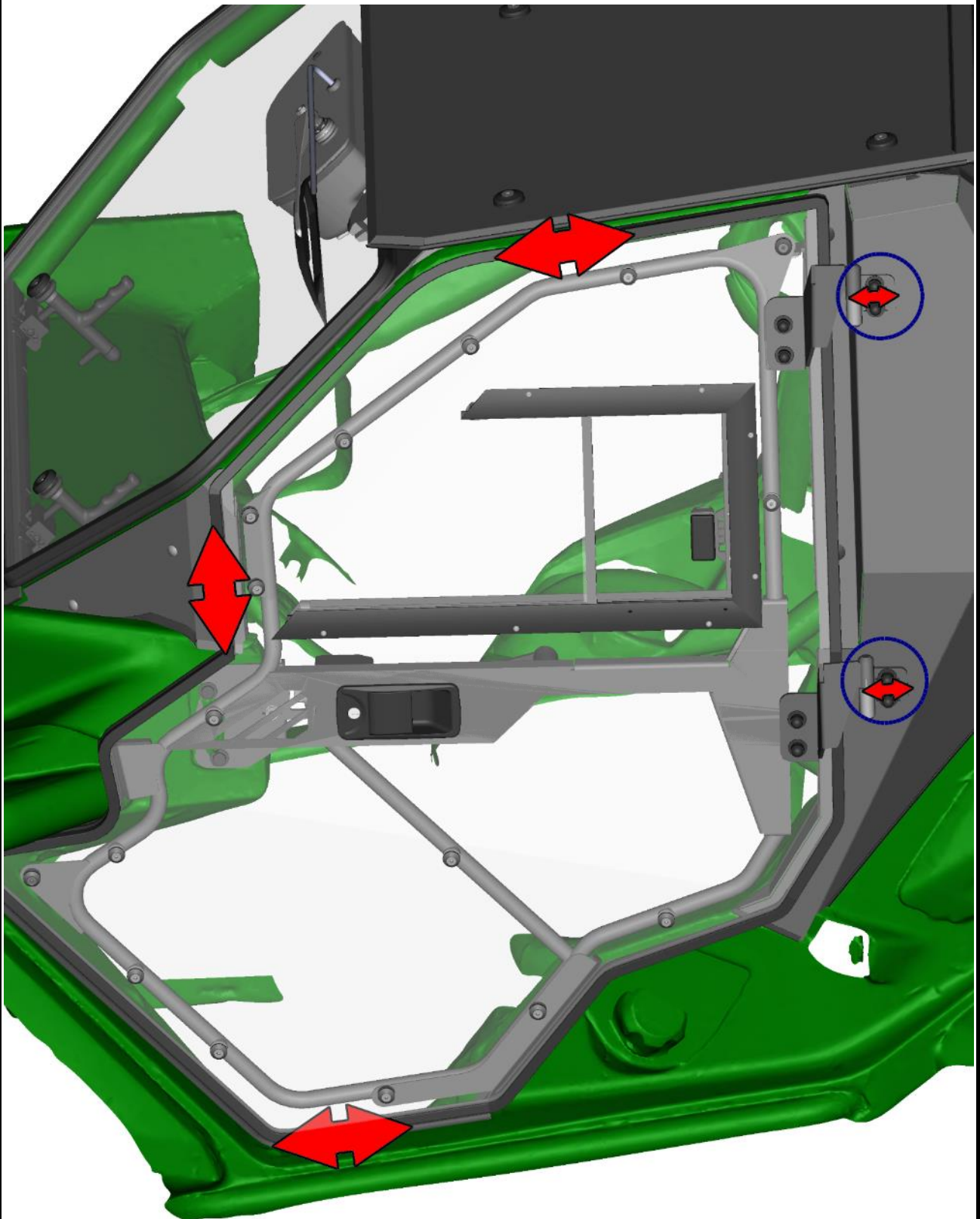
81

Lubricate the hinge pins and place the door onto the pins.



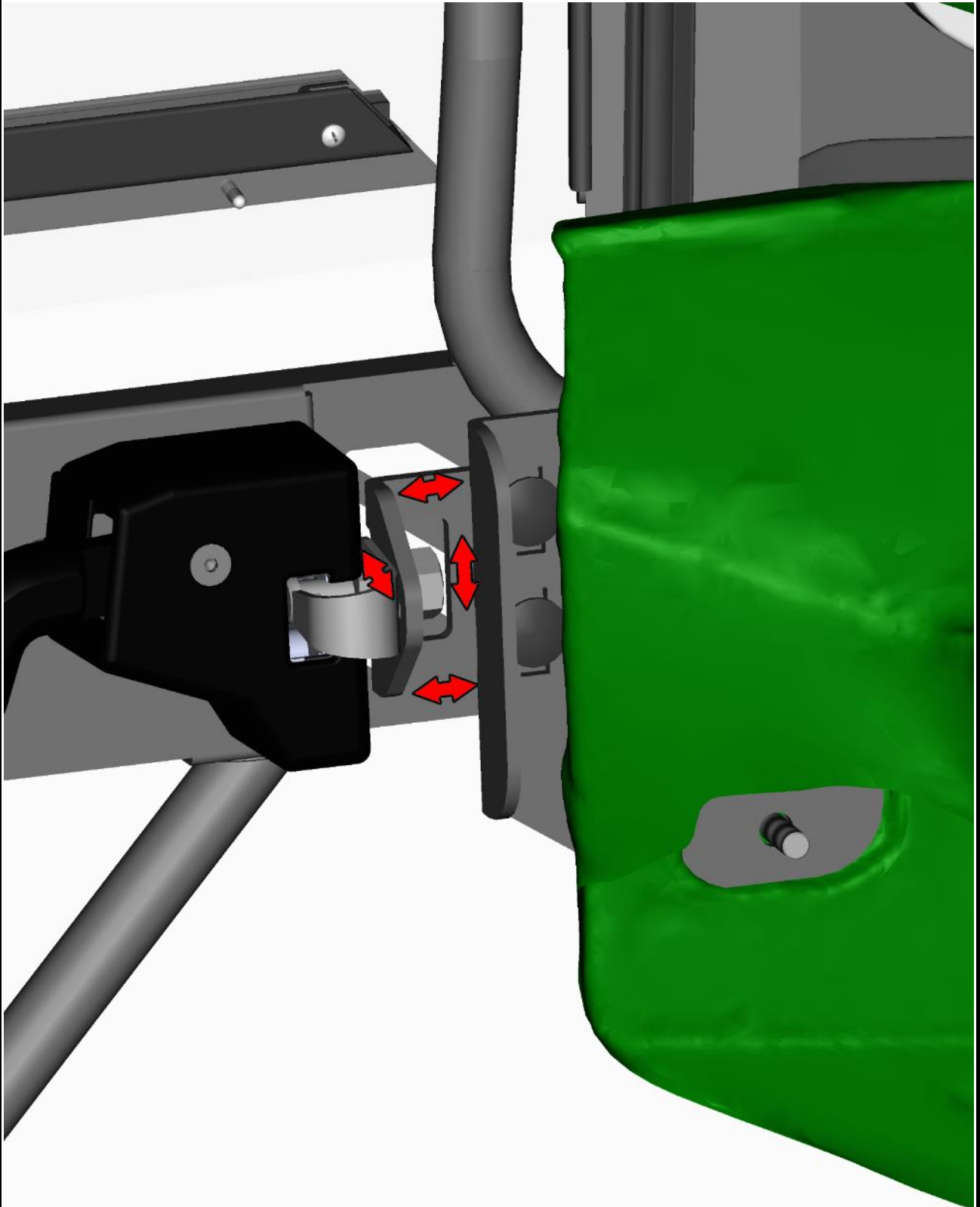
82

Adjust the door by the hinges to the best position and tighten hinge screw.



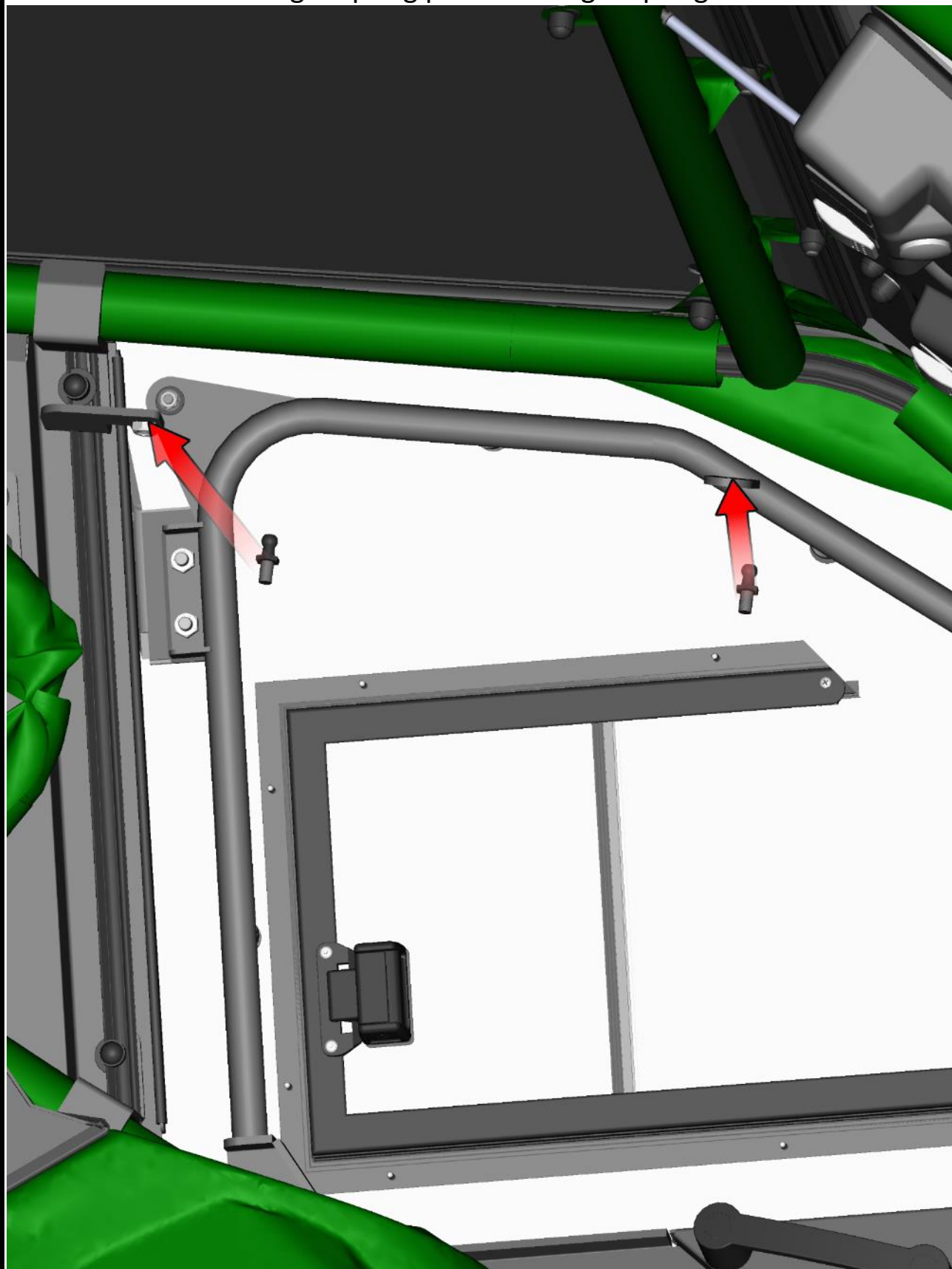
83

Adjust the door stop and the door stop holder to the best position. If you adjust door stop correctly and close the door slowly you can hear two metallic click. Tighten door stop screws.



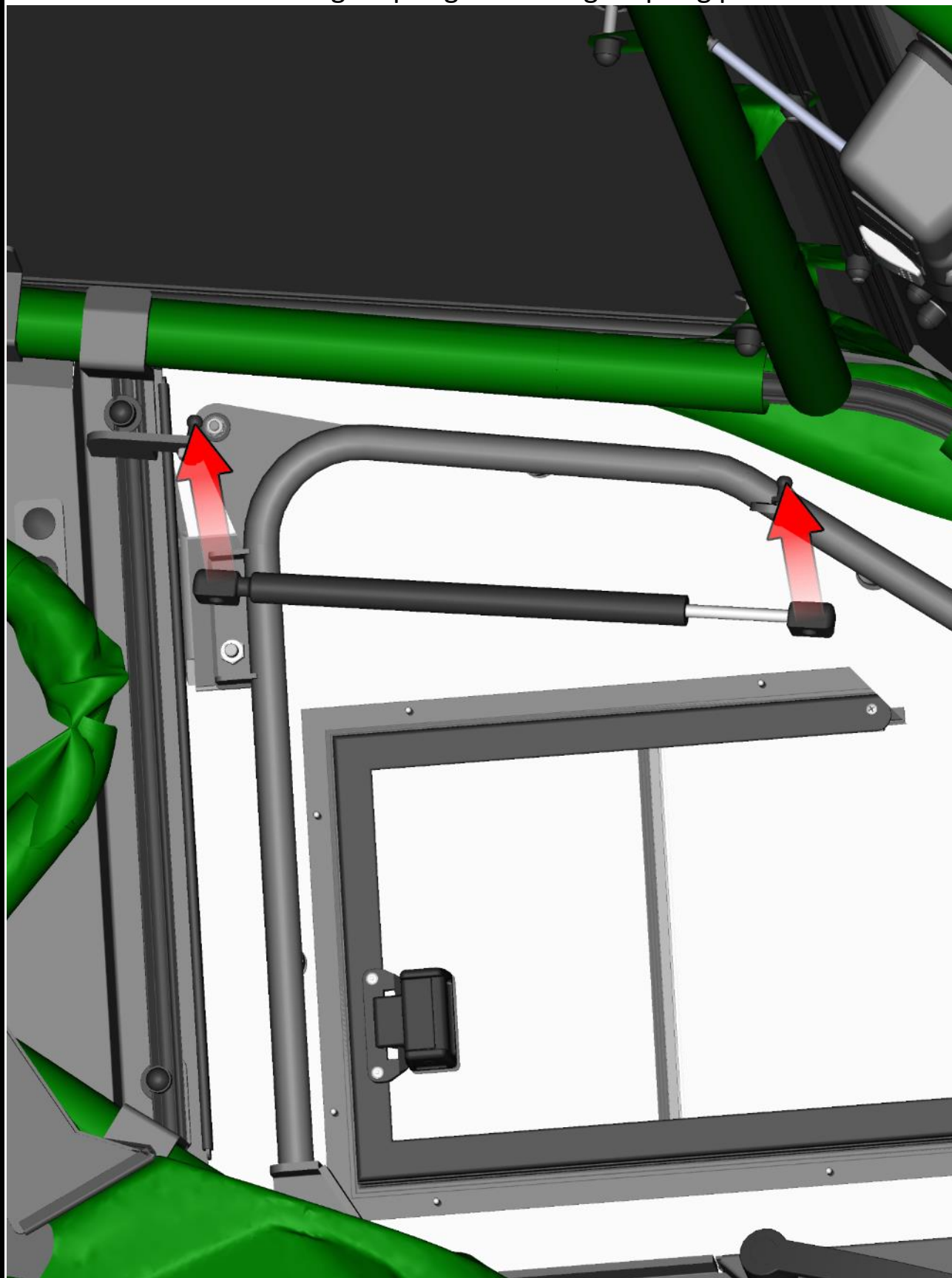
84

Install the gas spring pin into the gas spring holder.



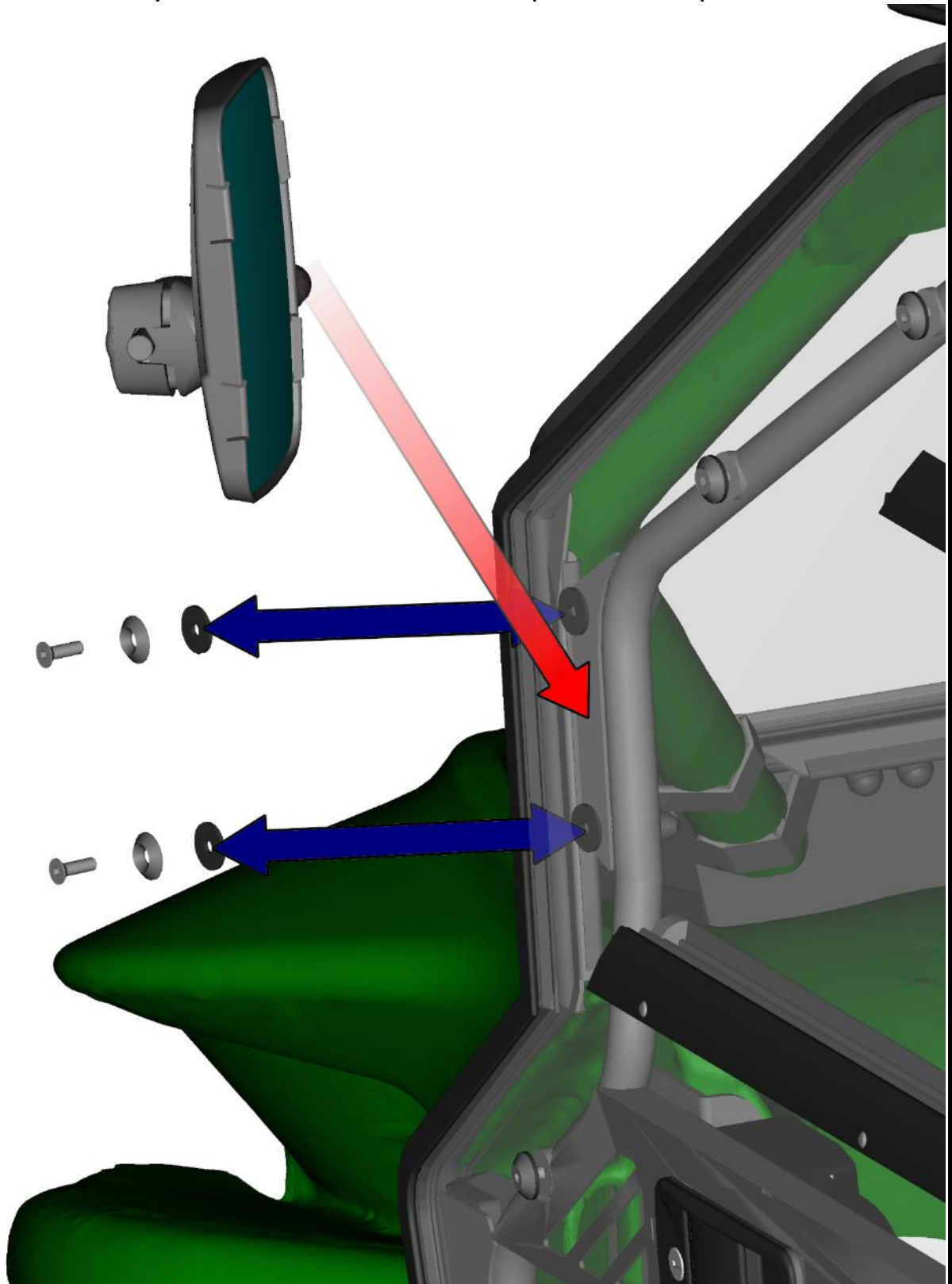
85

Install the gas spring onto the gas spring pin.



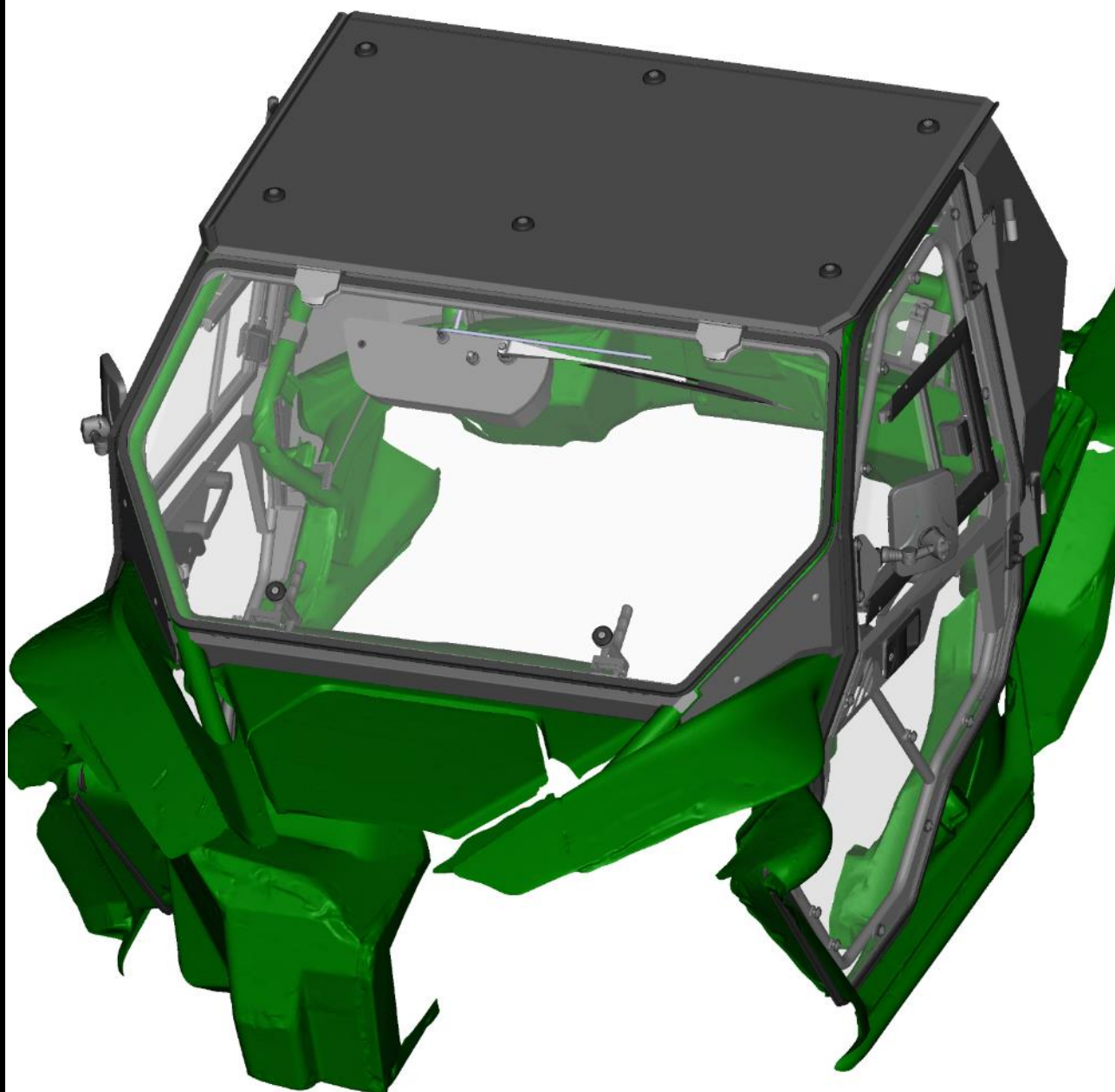
86

Uninstall the screws and washers from the door poly. Place the side mirror with holder onto the door poly. Fix the mirror holder with the door by screws and washers from previous steps.



87

Repeat previous steps with the right door parts on the right side of the vehicle.



88

BOLT TORQUE

BOLT TORQUE SPECIFICATIONS

GENERAL TORQUE SPECIFICATION TABLE

Use the following torques when special torques are not given. These values apply to fasteners as received from suppliers, dry, or when lubricated with normal engine oil. They do not apply if special graphited or moly disulphide greases or other extreme pressure lubricants are used. This applies to both UNF and UNC threads. Remember to always use grade five or better when replacing bolts.

IMPORTANT: On all PLATED GRADE 8 bolts, reduce torque 15% from listed bolt torque specification.

SAE Grade No.		2				5				8*			
Bolt head identification mark as per grade. NOTE: Manufacturing Marks Will Vary													
		TORQUE		TORQUE		TORQUE		TORQUE		TORQUE		TORQUE	
Bolt Size		Pounds Feet		Newton-Meters		Pounds Feet		Newton-Meters		Pounds Feet		Newton-Meters	
Inches	Millimeters	Min.	Max.	Min.	Max.	Min.	Max.	Min.	Max.	Min.	Max.	Min.	Max.
1/4	6.35	5	6	7	8	9	11	12	15	12	15	16	20
5/16	7.94	10	12	14	16	17	20.5	23	28	24	29	33	39
3/8	9.53	20	23	27	31	35	42	48	57	45	54	61	73
7/16	11.11	30	35	41	47	54	64	73	87	70	84	95	114
1/2	12.70	45	52	61	70	80	96	109	130	110	132	149	179
9/16	14.29	65	75	88	102	110	132	149	179	160	192	217	260
5/8	15.88	95	105	129	142	150	180	203	244	220	264	298	358
3/4	19.05	150	185	203	251	270	324	366	439	380	456	515	618
7/8	22.23	160	200	217	271	400	480	542	651	600	720	814	976
1	25.40	250	300	339	406	580	696	787	944	900	1080	1220	1464
1-1/8	25.58	-	-	-	-	800	880	1085	1193	1280	1440	1736	1953
1-1/4	31.75	-	-	-	-	1120	1240	1519	1681	1820	2000	2468	2712
1-3/8	34.93	-	-	-	-	1460	1680	1980	2278	2380	2720	3227	3688
1-1/2	38.10	-	-	-	-	1940	2200	2631	2983	3160	3560	4285	4827

*Thick Nuts must be used with Grade 8 bolts

METRIC BOLT TORQUE SPECIFICATIONS

Size of Screw	Property Class	Course Thread			Fine Thread		
		Pitch (mm)	Pounds Feet	Newton-Meters	Pitch (mm)	Pounds Feet	Newton-Meters
M6	5.6	1.0	3.6-5.8	4.9-7.9	-	-	-
	8.8		5.8-9.4	7.9-12.7		-	-
	10.9		7.2-10	9.8-13.6		-	-
M8	5.6	1.25	7.2-14	9.8-19	1.0	12-17	16.3-23
	8.8		17-22	23-29.8		19-27	25.7-36.6
	10.9		20-26	27.1-35.2		22-31	29.8-42
M10	5.6	1.5	20-25	27.1-33.9	1.25	20-29	27.1-39.3
	8.8		34-40	46.1-54.2		35-47	47.4-63.7
	10.9		38-46	51.5-62.3		40-52	54.2-70.5
M12	5.6	1.75	28-34	37.9-46.1	1.25	31-41	42-55.6
	8.8		51-59	69.1-79.9		55-68	75.9-92.1
	10.9		57-66	77.2-89.4		62-75	84-101.6
M14	5.6	2.0	49-56	66.4-75.9	1.5	52-64	70.5-86.7
	8.8		81-93	109.8-126		90-106	122-143.6
	10.9		96-109	130.1-147.7		107-124	145-168
M16	5.6	2.0	67-77	90.8-104.3	1.5	69-83	93.6-112.5
	8.8		116-130	157.2-176.2		120-138	162.6-187
	10.9		129-145	174.8-196.5		140-158	189.7-214.1
M18	5.6	2.0	88-100	119.2-136	1.5	100-117	136-158.5
	8.8		150-168	203.3-227.6		177-199	239.8-269.6
	10.9		175-194	237.1-262.9		202-231	273.7-313
M20	5.6	2.5	108-130	146.3-176.2	1.5	132-150	178.9-203.3
	8.8		186-205	252-277.8		206-242	279.1-327.9
	10.9		213-249	288.6-337.4		246-289	333.3-391.6



Declaration of Conformity



DFK Cab, s.r.o.

Za Olšávkou 391

686 01 Uherské Hradiště

Česká republika / Czech Republic

Date of Issue: 31-3-2017