



INSTALLATION INSTRUCTIONS

CF MOTO
UFORCE 600



SAFETY INSTRUCTIONS

READ PROPERLY COMPLETE ASSEMBLY INSTRUCTIONS BEFORE STARTING OF ASSEMBLY

Warning: Failure to heed all safety and operating instructions and warnings regarding use of this product can result in serious bodily injury.

Install all parts indicated in assembly instructions. Failure to fully assemble product before use could result in personal injury.

Assembly of product requires use of hand or power tools. If you are not experienced in using these types of tools, have product dealer do the install for you.

Some parts contain sharp edges, wear protective gloves if necessary. Always keep your assembly area clean, uncluttered and well lit.

Keep visitors and children a safe distance away from the assembly area. Visitors should wear the same safety equipment described under.

Never operate your UTV with the cab doors open. Failure to properly latch the doors before moving the vehicle could result in serious injury.

Dress for safety. DO NOT wear loose clothing, gloves, neckties or jewelry if using power tools to assemble this product. Insert all nut covers after you finish installation.

Never drive your UTV with the cab front window in open position.

Failure of improperly latched/locked front window before driving the vehicle could result in serious injury.

MAINTENANCE AND CLEANING

To clean polycarbonate surface use soapy water solution or other subtle means.

Dirt and dust wash by gently water stream and swipe only with wet or damp means in the direction from top to bottom.

The recommended frequency of cleaning of polycarbonate part is about 1 time per month or according to the actual degree of pollution.

Do not use detergents that could scratch the surface plates (abrasives, harsh fabrics, etc.).

Do not use solvents or alkaline detergents or cleaners with ammonia (ammonium hydroxide).

Do not remove the impurities from the surface of the razor blades or other sharp items.

Do not clean cabin, when the polycarbonate plates are heated by the sun.

Do not use the squeegee. It could be scratched surface plates.

Do not clean the water current strength greater than 50 bar (WAP).

The manufacturer is not responsible for scratching the surface in case of failure to comply with the above instructions.

All bolted connections of cab must be by user at regular intervals checked and tightened.

It is necessary to check the air filter of the heater regularly, depending on the dust environment in which the vehicle is operated.

PREPARATION FOR INSTALLATION

Uninstall original roof, handles, mirrors and safety nets from the vehicle.

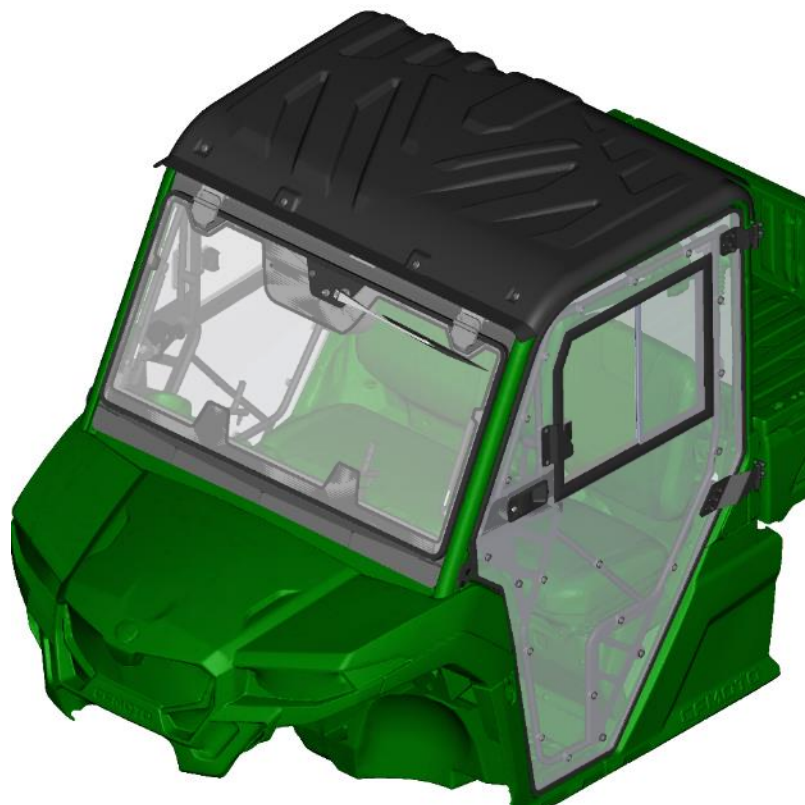


4

CAB PREVIEW
ORIGINAL ROOF VERSION



DFK ROOF VERSION



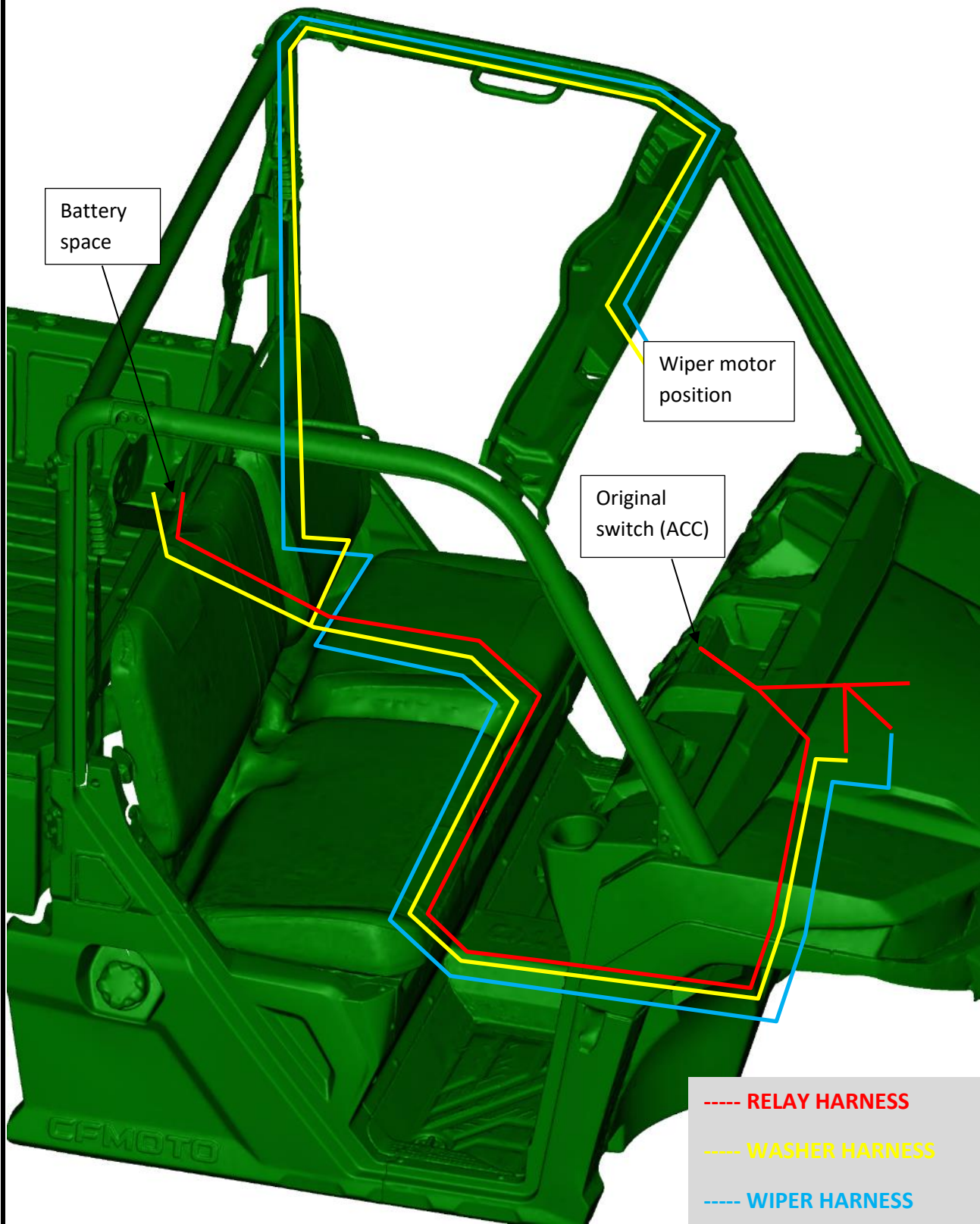
DFK Cab, s.r.o.
Za Olšávkou 391
Uherské Hradiště 686 01
Czech Republic

Tel: +420 572 520 061,3
Fax: +420 572 520 071
E-mail: dfk@dfk.cz

www.dfk.cz
www.dfk.cz/podpora-uty
password: 78a6xu6mj8G

ELECTROINSTALLATION 1.
OVERALL WIRING DIAGRAM

6



Open the vehicle front hood.



Place the relay harness into the front vehicle space.



Loose the original switch holder.



8

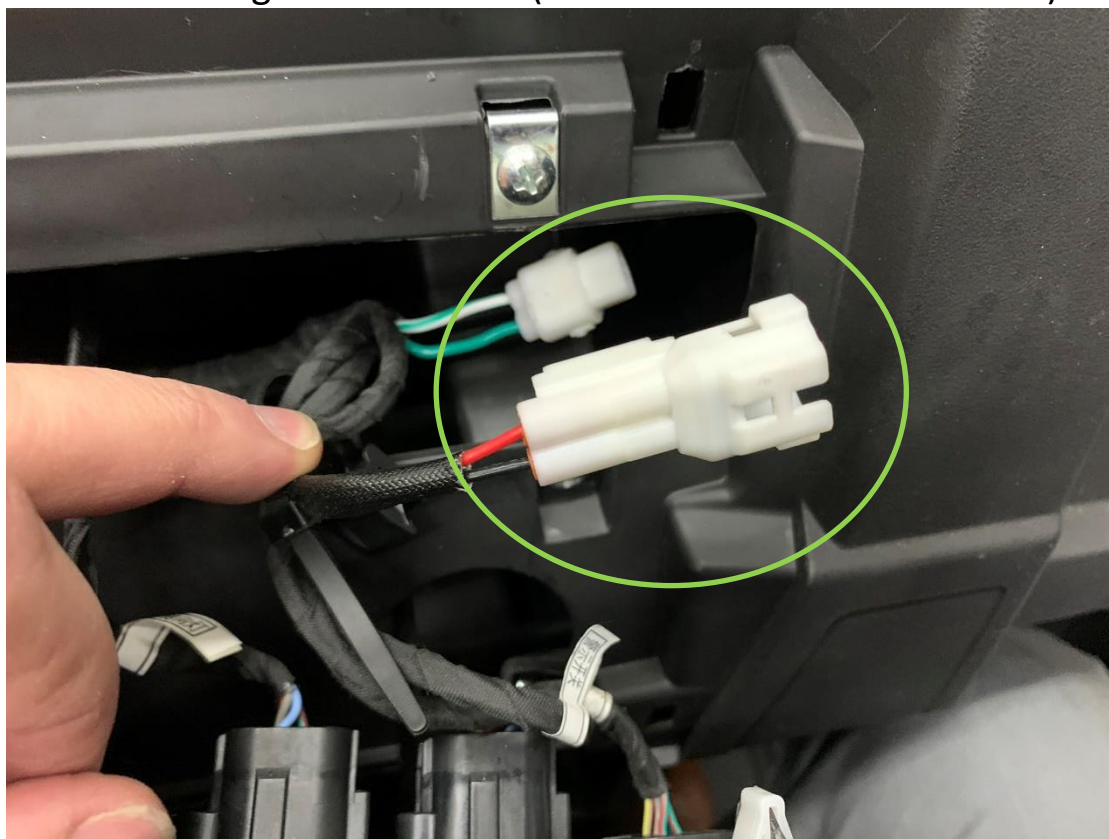
Drill hole $\varnothing 20\text{mm}$ into the vehicle dashboard.



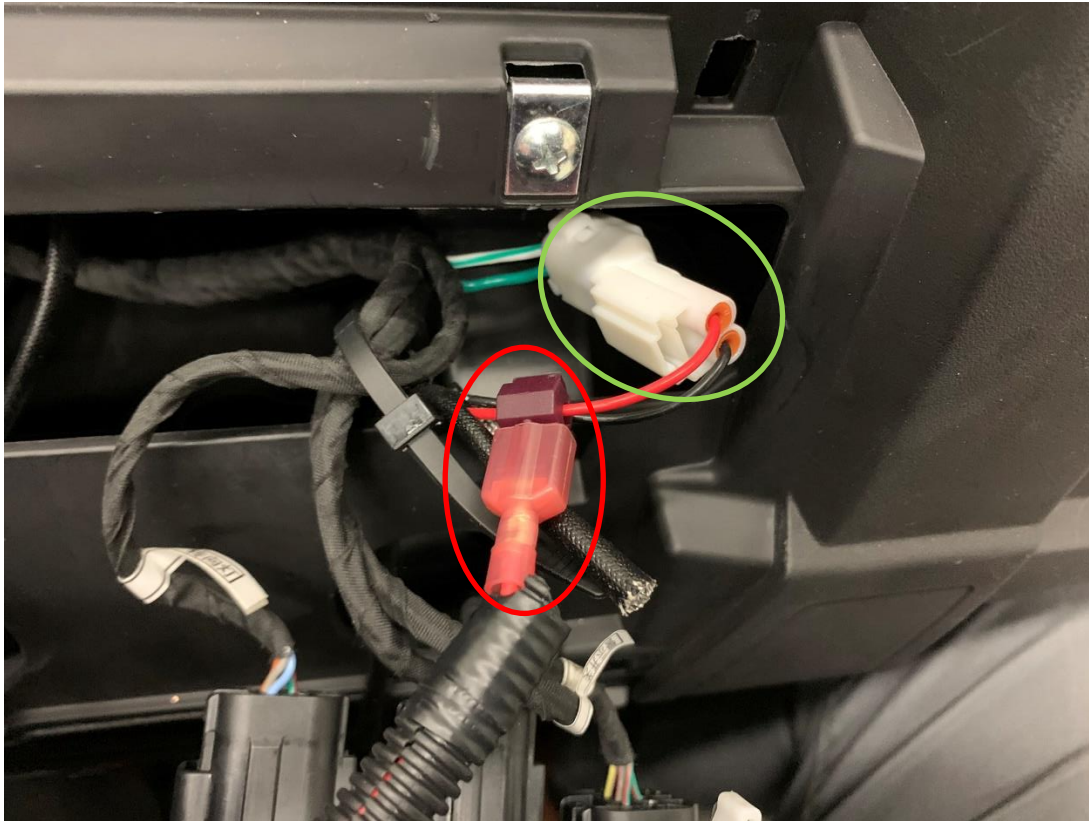
Run the relay harness from the relay to the original switch.



Find the original connector (UNDER ORIGINAL SWITCHES).



Connect the cable junction connector with the red wire near original connector.



10

Run the relay harness, washer harness and the wiper harness from the front space to the central floor tunnel.



Run the harnesses through the tunnel to the rear vehicle space.



SEE NEXT PAGES

11

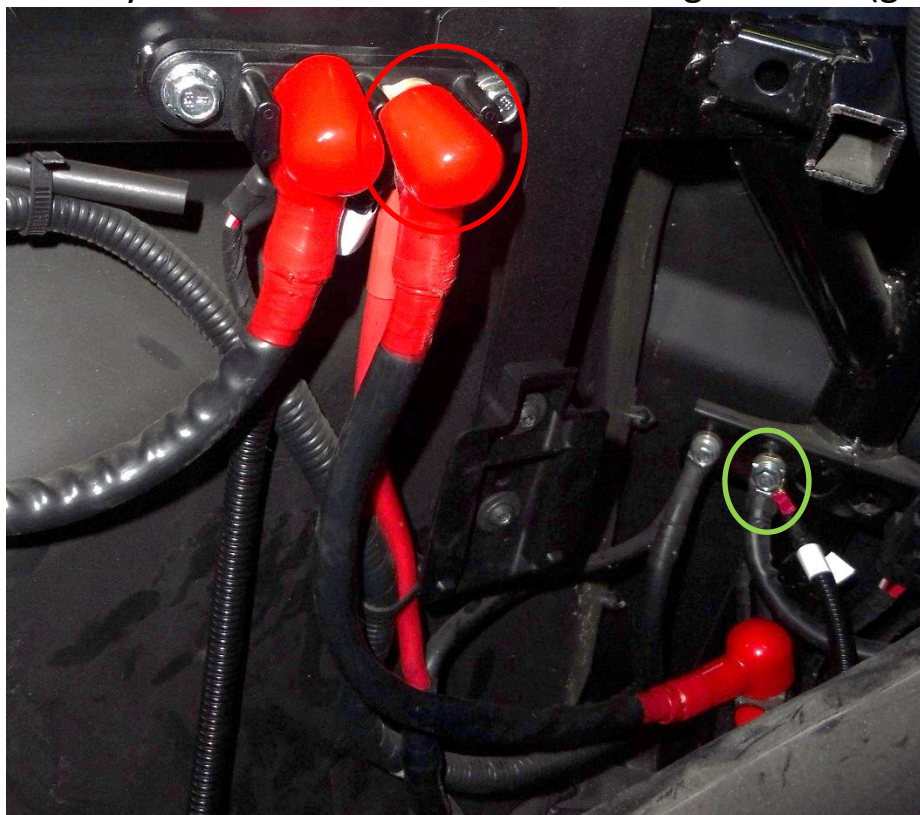
Run the washer and relay harnesses, same way with original harness, from the tunnel to the rear vehicle space.
Run wiper harness (blue mark) diagonally.



Run the washer harness and the relay harness to the battery space.



Connect the relay harness red wire with the original +12V (red mark).
Connect the relay harness black wire with the original -12V (green mark).



Install washer holder onto the vehicle frame by original fixing point.
Place the washer tank onto the holder.



Connect the washer harness and the washer hose with the washer tank.



Fill the washer liquid into the washer tank before first usage.

15

Run the wiper harness and washer harness from the rear space to the front upper space around the vehicle frame.



Run the wiper harness and washer harness from the rear space to the front upper space around the vehicle frame.



Run the wiper harness and washer harness from the rear space to the front upper space around the vehicle frame.



17

HEATER

VIEW ON ASSEMBLED HEATER HOSE INPUT



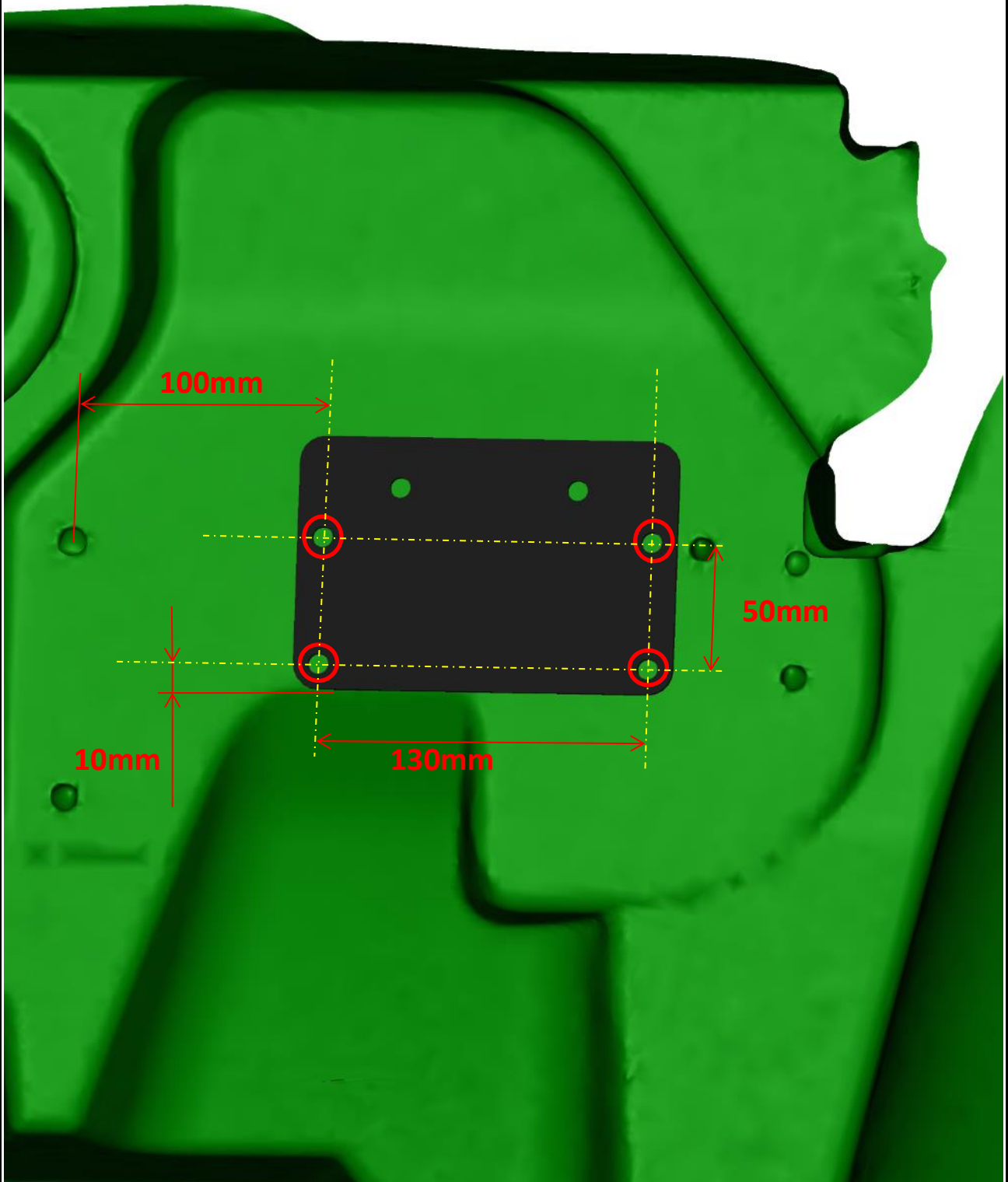
VIEW ON ASSEMBLED HEATER HOSE OUTPUT



VIEW ON ASSEMBLED HEATER WITH AIR HOSES



Place the heater holder onto the vehicle front inner wall. Make marks onto the vehicle wall in accordance with the holder holes.



19

Drill holes $\varnothing 7\text{mm}$ into the marks centers.



20

Place the heater with the holder onto the vehicle. Fix the holder with the vehicle by included screws, washers, nuts and covers.



Drill 3 holes $\varnothing 25\text{mm}$ into the inner wall near the heater.



Run the heater hoses from the front right wheel space to the heater.



22

Install the heater hoses onto the heater and secure the hoses with the heater by tightening straps.



Place the heater harness into the cabin and run the heater harness through the hole near the heater.

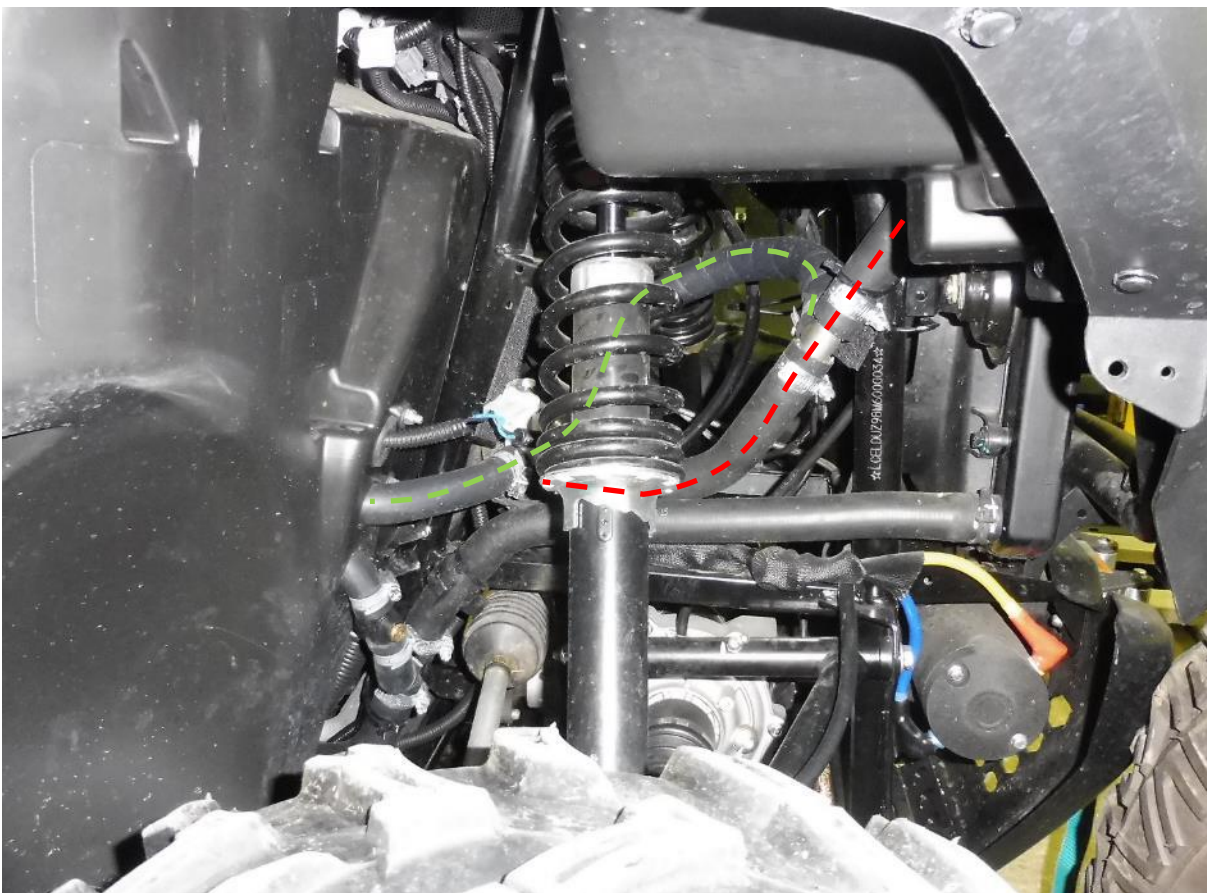


CAUTION

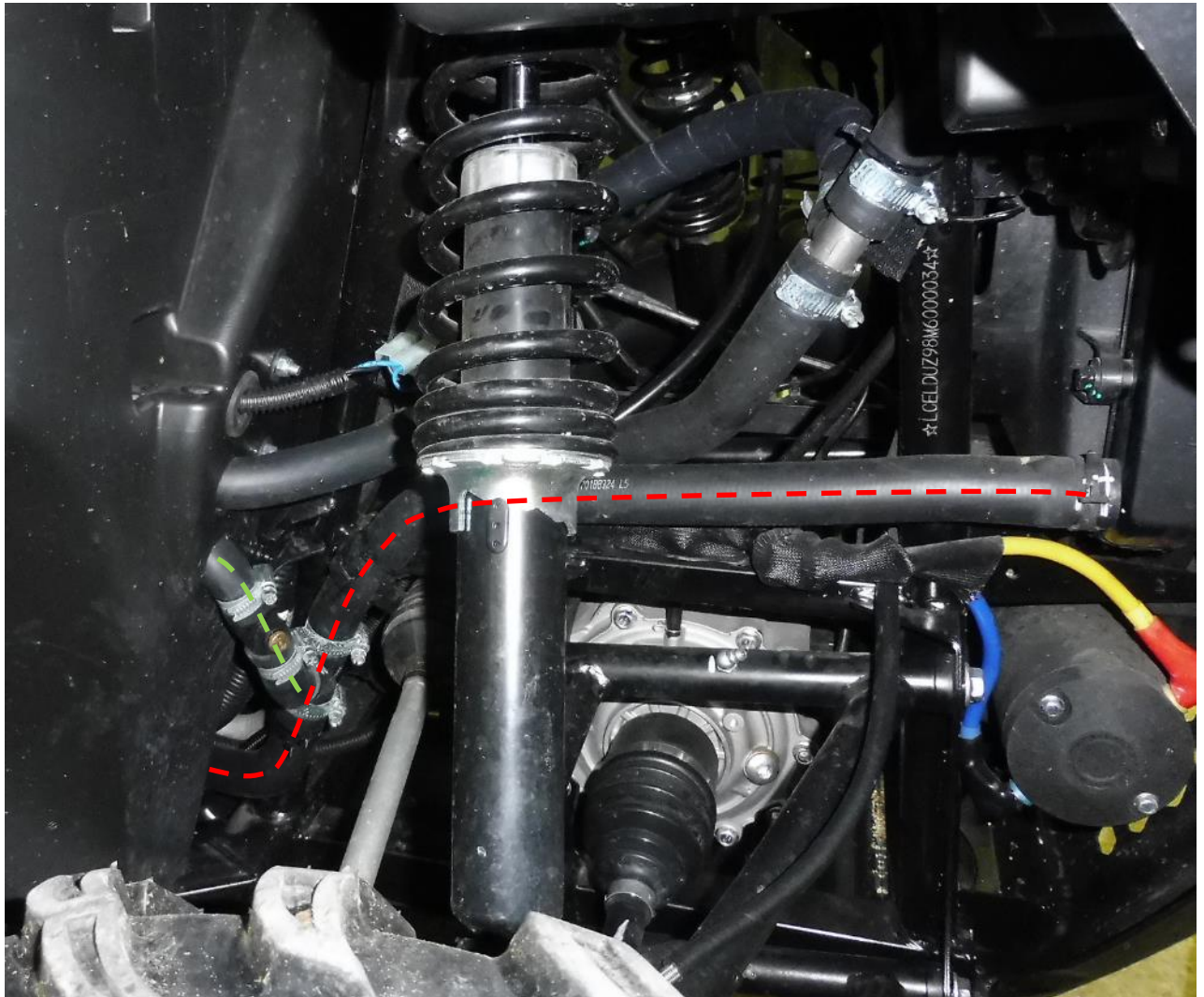
DO NOT MANIPULATE WITH ENGINE OR WITH ENGINE COOLING SYSTEM IF THAT PARTS OF MACHINE IS HOT! WHEN ENGINE IS HOT, ANY MANIPULATION CAN RESULT IN SERIOUS BODY INJURY!

Secure the cooling hose by clamps or pliers (not included).
Cut the cooling hose and insert "Y tube" (on heater hose with el. valve) into the cooling hose.

Secure the tube with the hose by included tightening straps.



Secure the cooling hose by clamps or pliers (not included).
Cut the cooling hose and insert "Y tube" (on heater hose with air vent)
into the cooling hose.
Secure the tube with the hose by included tightening straps.



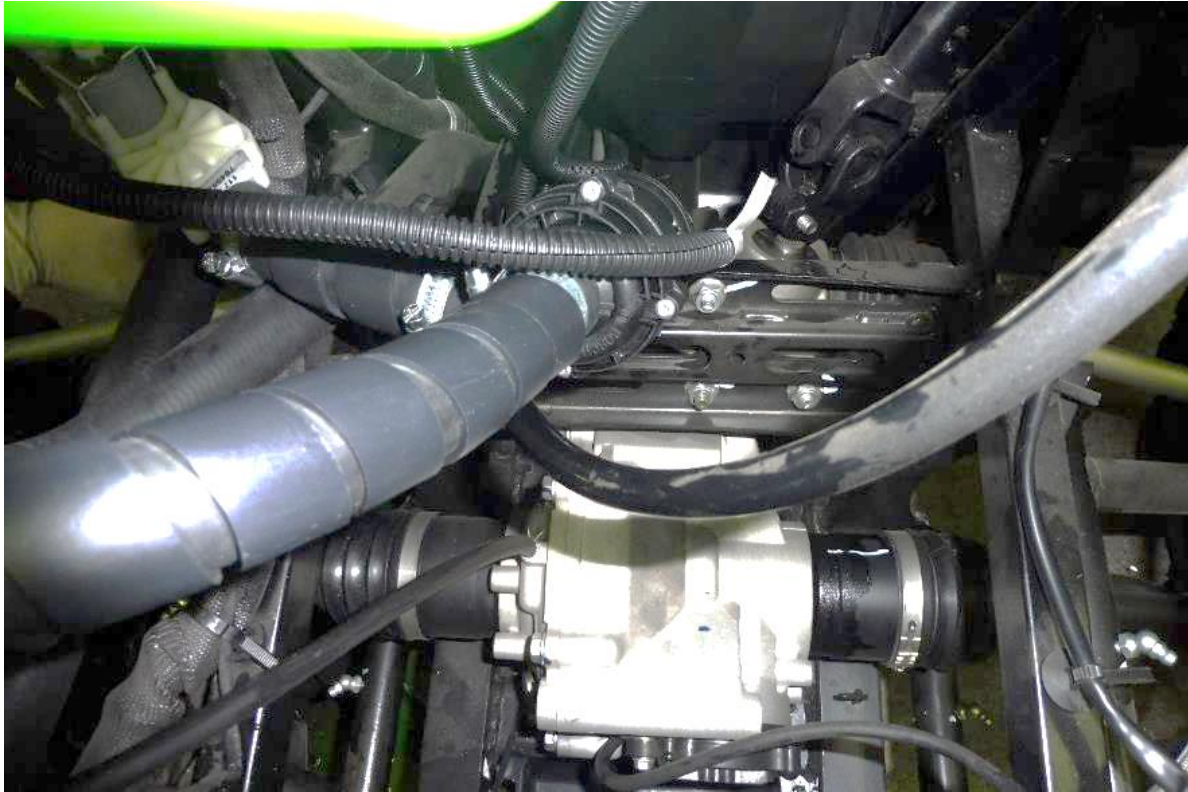
25

Connect the heater harness with the el. valve.



26

Connect the heater harness (with the al. valve) with the water pump.



Cut two holes $\varnothing 45\text{mm}$ into the dashboard.



Run the air hoses from the heater to the dashboard through the holes.



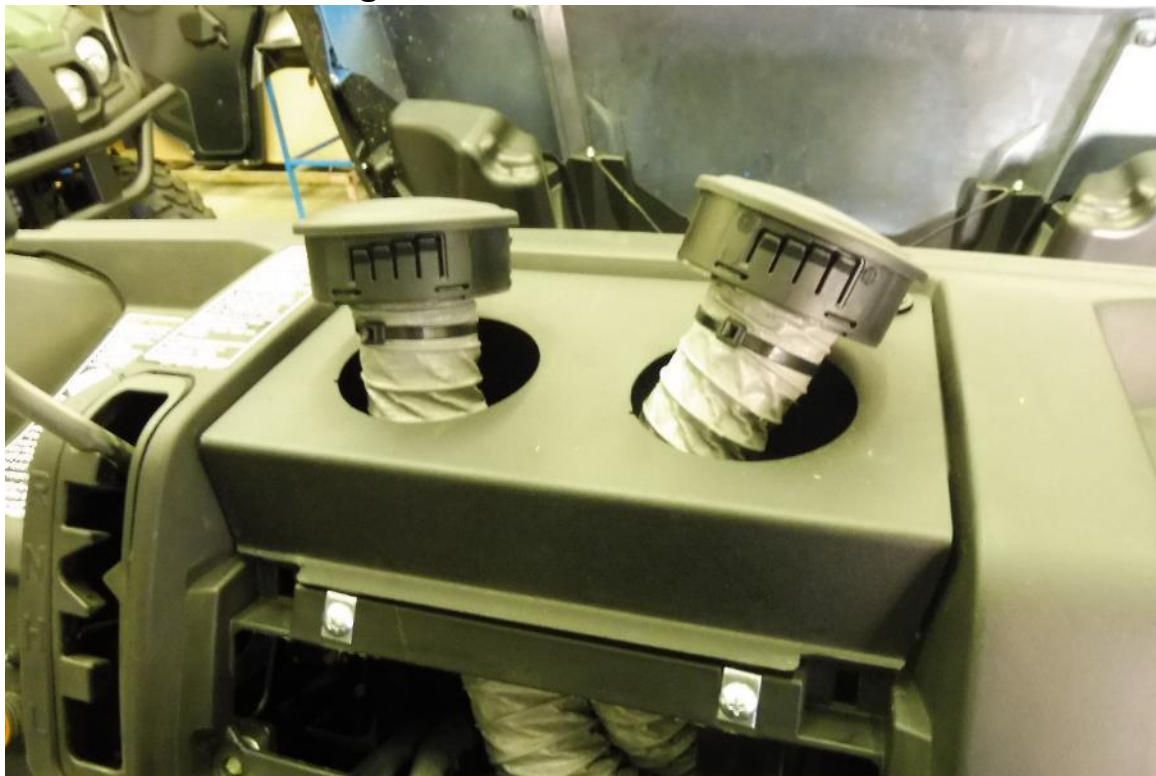
Place upper vent holder onto the upper part of the dashboard.

SEE NEXT PAGE

Drill two holes $\varnothing 9\text{mm}$ into the dashboard in accordance with the holder holes. Fix the holder with the dashboard by included plastic rivets.



Run the air hoses through the holder and install air vents onto the hoses.



Secure the hoses with the vents by tightening straps and install the vents into the holder.



Place switch holder onto the vehicle dashboard. SEE NEXT PAGE
Drill holes $\varnothing 6\text{mm}$ into the dashboard in accordance with holder holes.



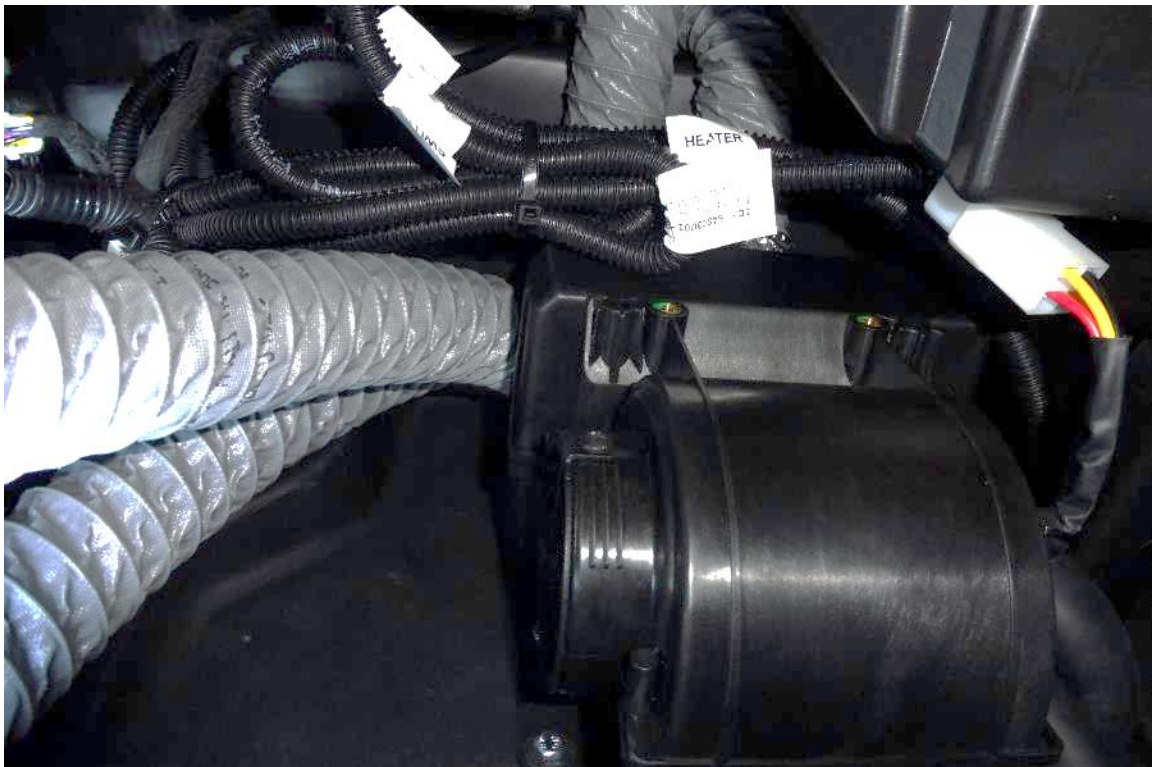
Fix the holder with the dashboard by included screws and nuts (red marks) and by self-cut screw (green marks).



Run the air hoses through the holder. Install the hoses with the vents.
Install vents onto the holder.



Connect the heater with the heater harness.



Connect the ventilator switch with the heater harness (black connector).
 Connect the el. valve switch with the heater harness.



Connect the heater harness with the relay harness.

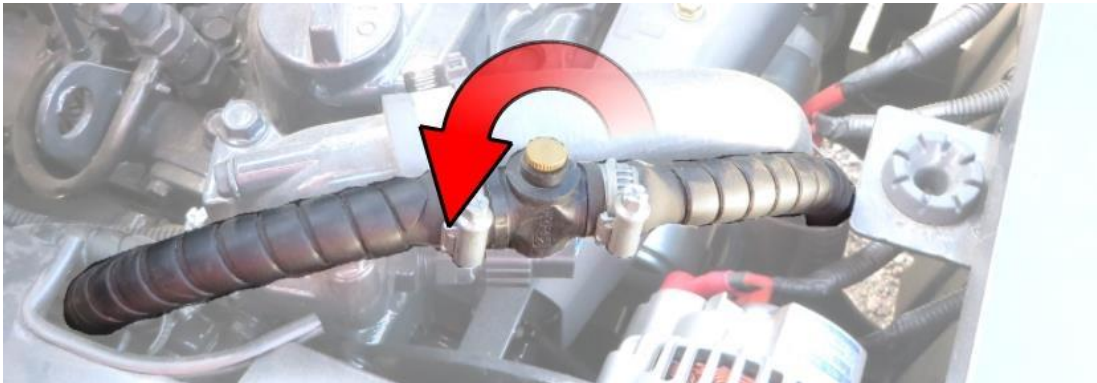


SEE NEXT PAGE

32

BLEEDING INSTRUCTIONS

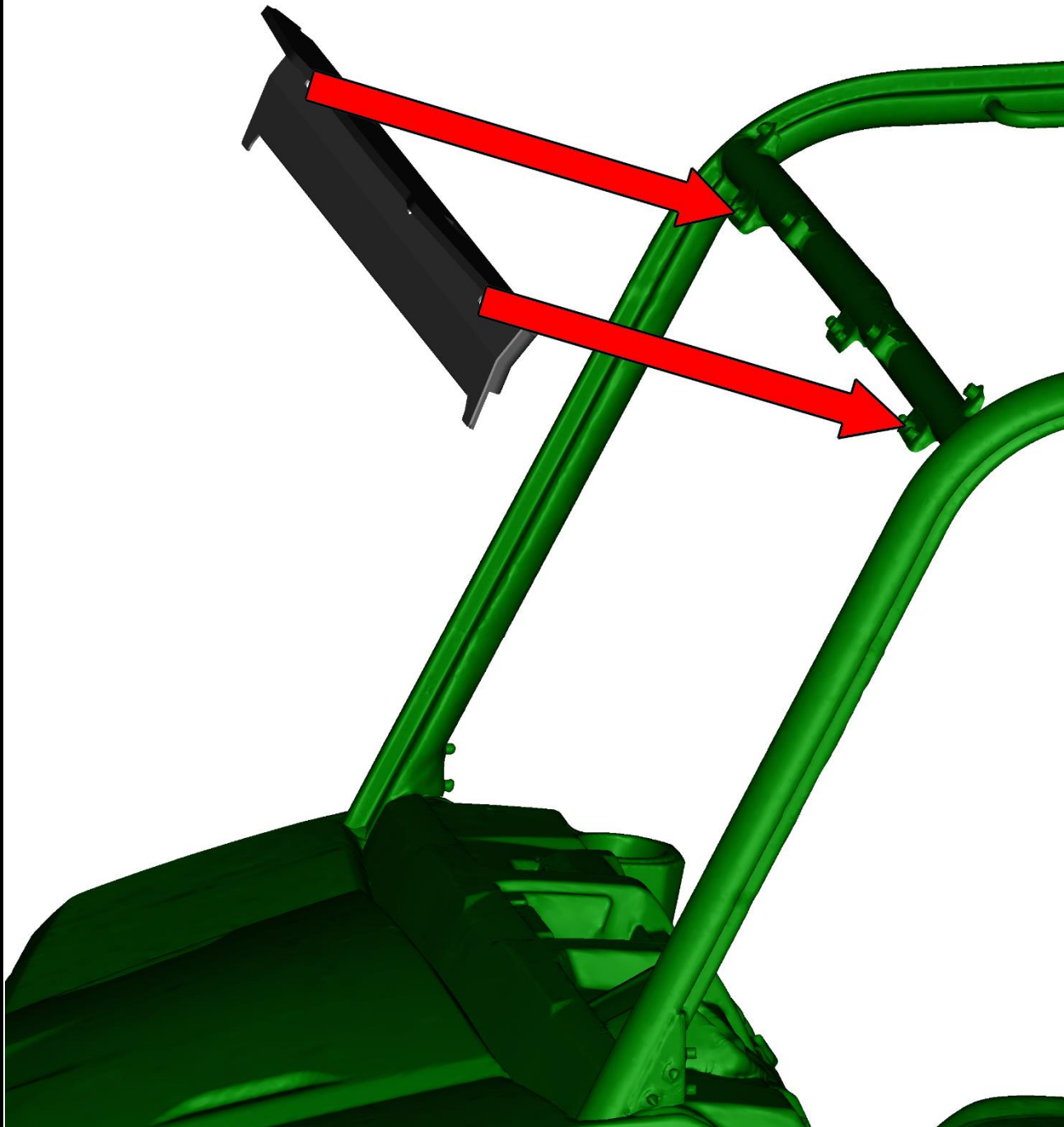
- After installing the heater circuit, open the radiator and coolant reservoir of the vehicle and add coolant to both the coolant reservoir and radiator level is up to the MAX line.
- Install coolant reservoir and radiator caps.
- Activate heater fan, turn on the electromagnetic valve and put the heating level to maximum.
- Run engine at idle with coolant reservoir cap ON until the cooling fan cycles two times.
- If a DFK bleeding valve is included in the heater assembly, open it at nominal RPM until a continuous stream of fluid flows out of it.



- Bleed even after the engine has warmed up to operating engine temperature and repeat several times until full flow, without air bubbles, escapes from the bleed plug holes.
- Check for heat coming out of the heater unit.
- Turn the ignition switch off and allow the engine to cool down.
- After the engine cools down check the coolant level in the radiator reserve tank.
- Close all coolant containers and bleeding valve before driving.
- After the test drive, check the coolant level in the radiator reserve tank and add coolant as necessary.
- Check for leaks in the entire heating circuit. Leaks can cause additional aeration.

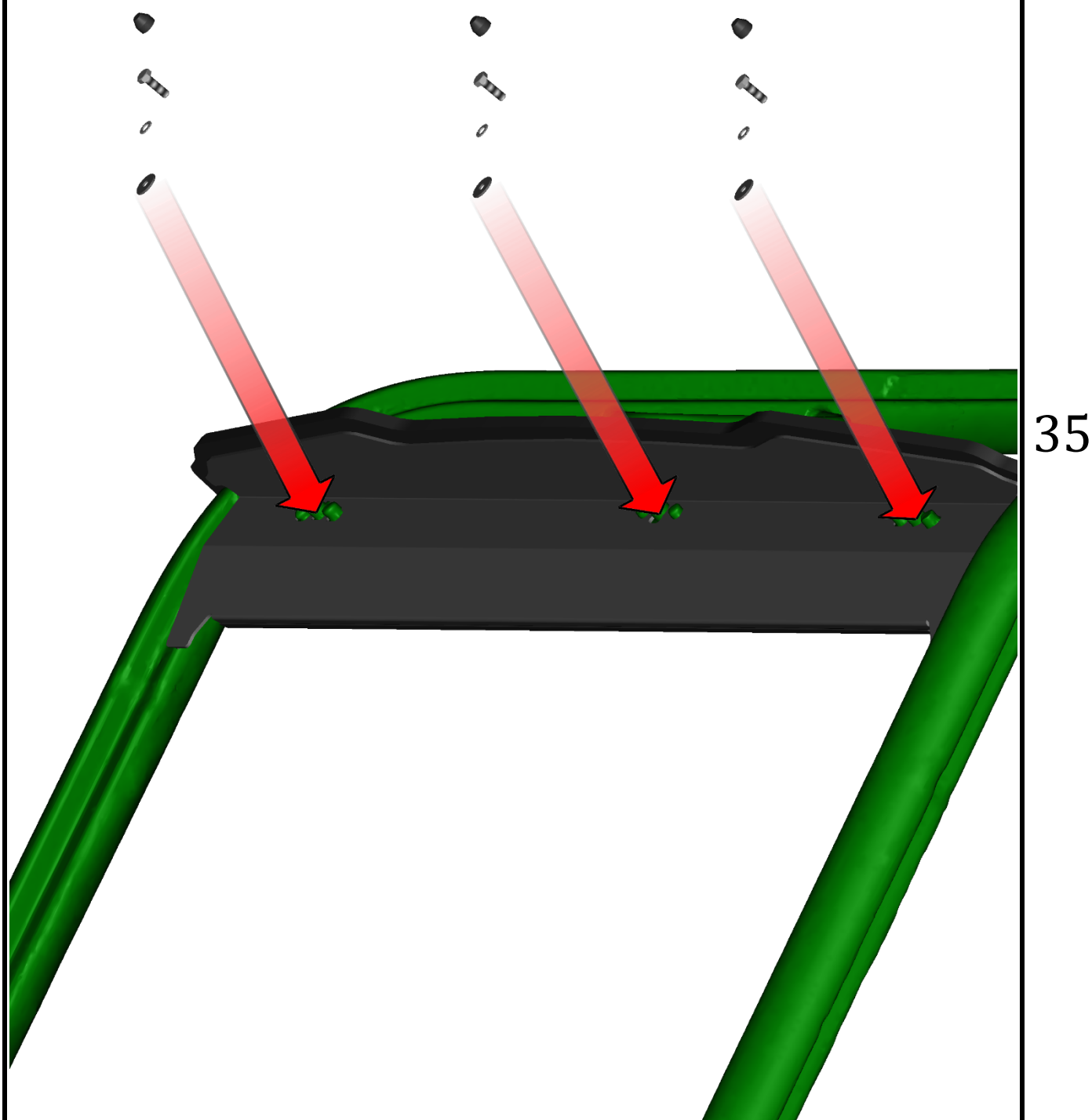
FRONT PANEL (FOR ORIGINAL ROOF)

Place the front upper ledge onto the front upper plastic cover.

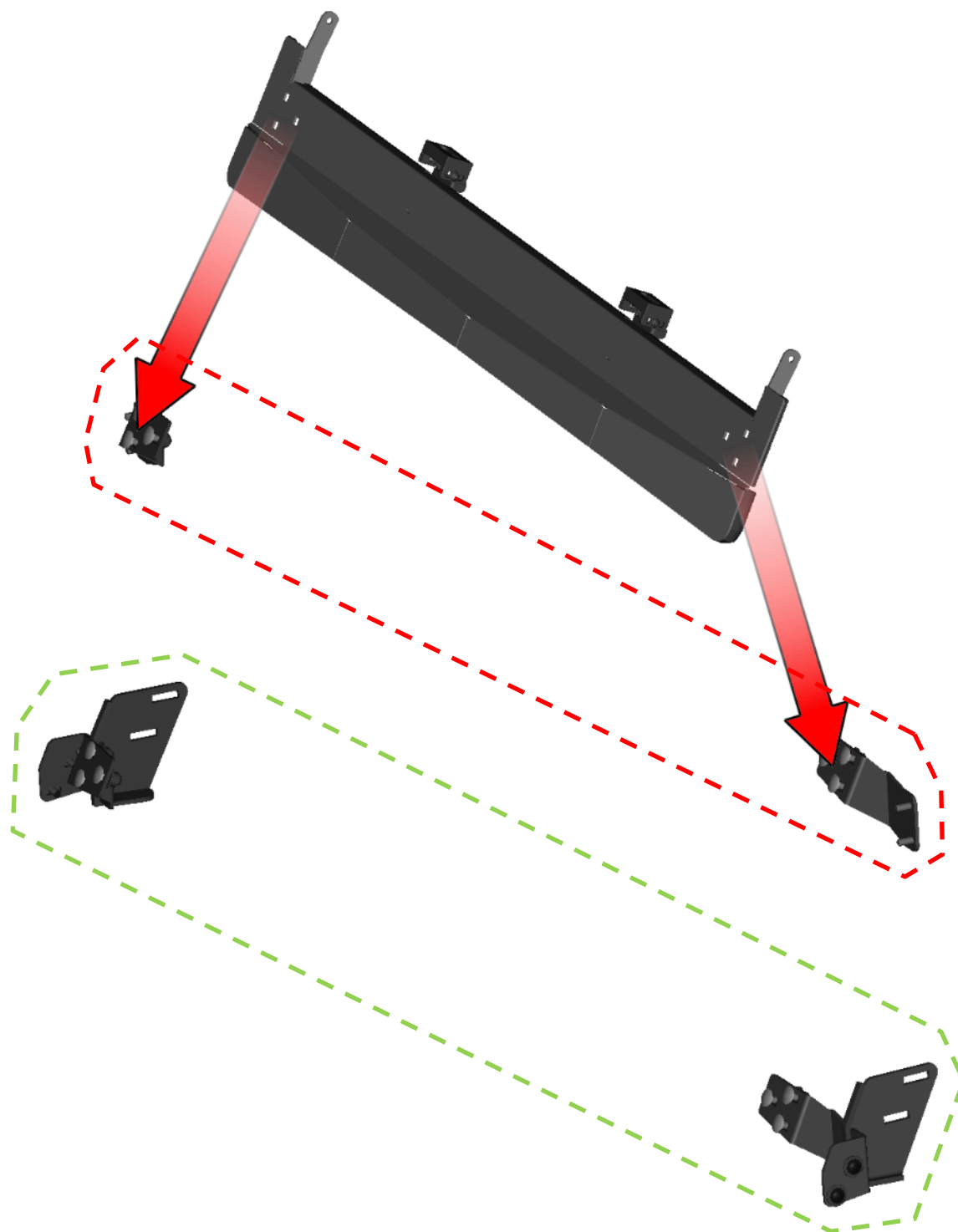


34

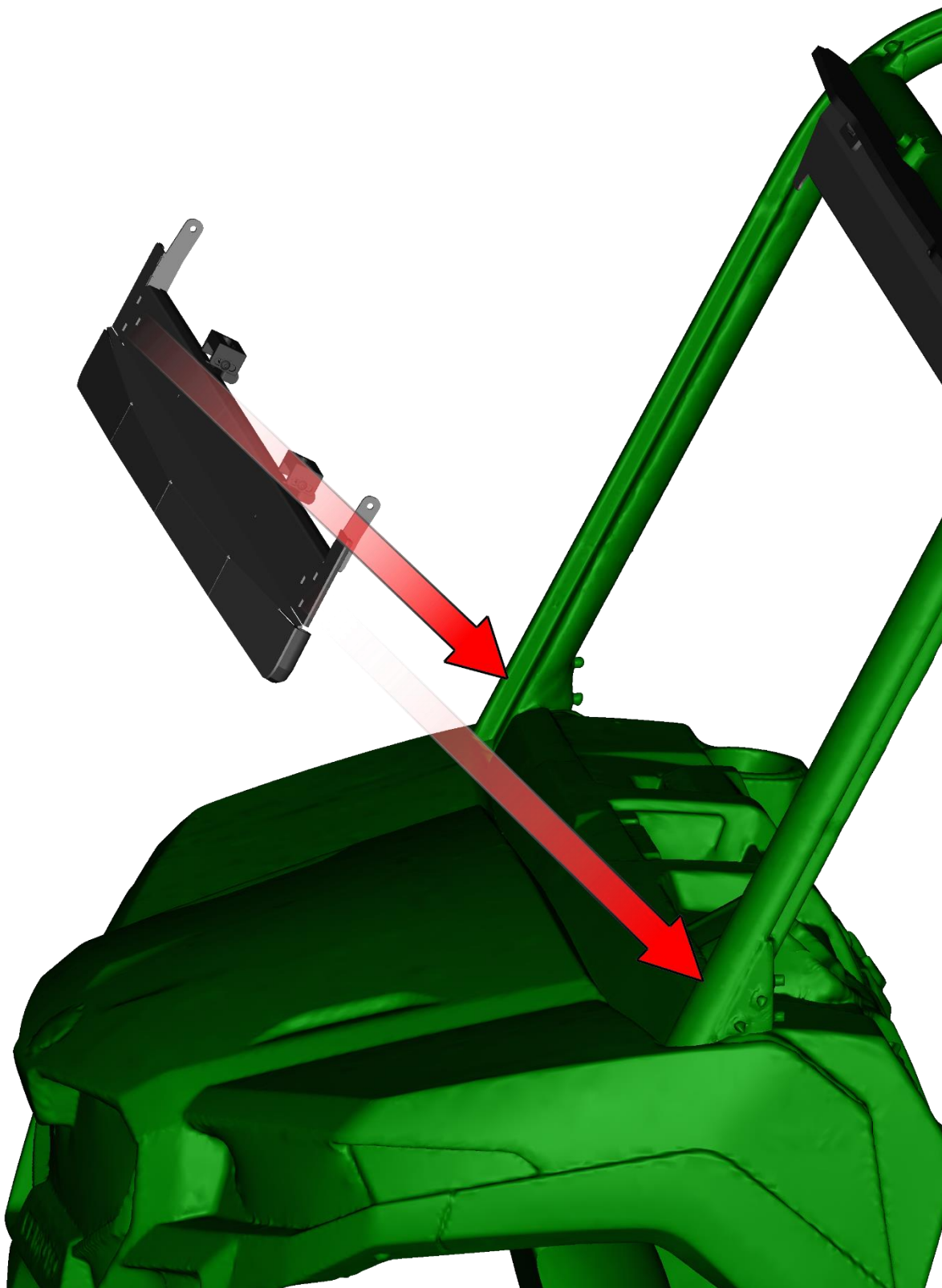
Fix the ledge with the cover and with vehicle frame
by included screws, washers and covers.



Uninstall the **holders** from the front bottom ledge.
If you have our doors, you have to use **door stop holder bases** (which is preinstall on the doors) instead of the front bottom holders.

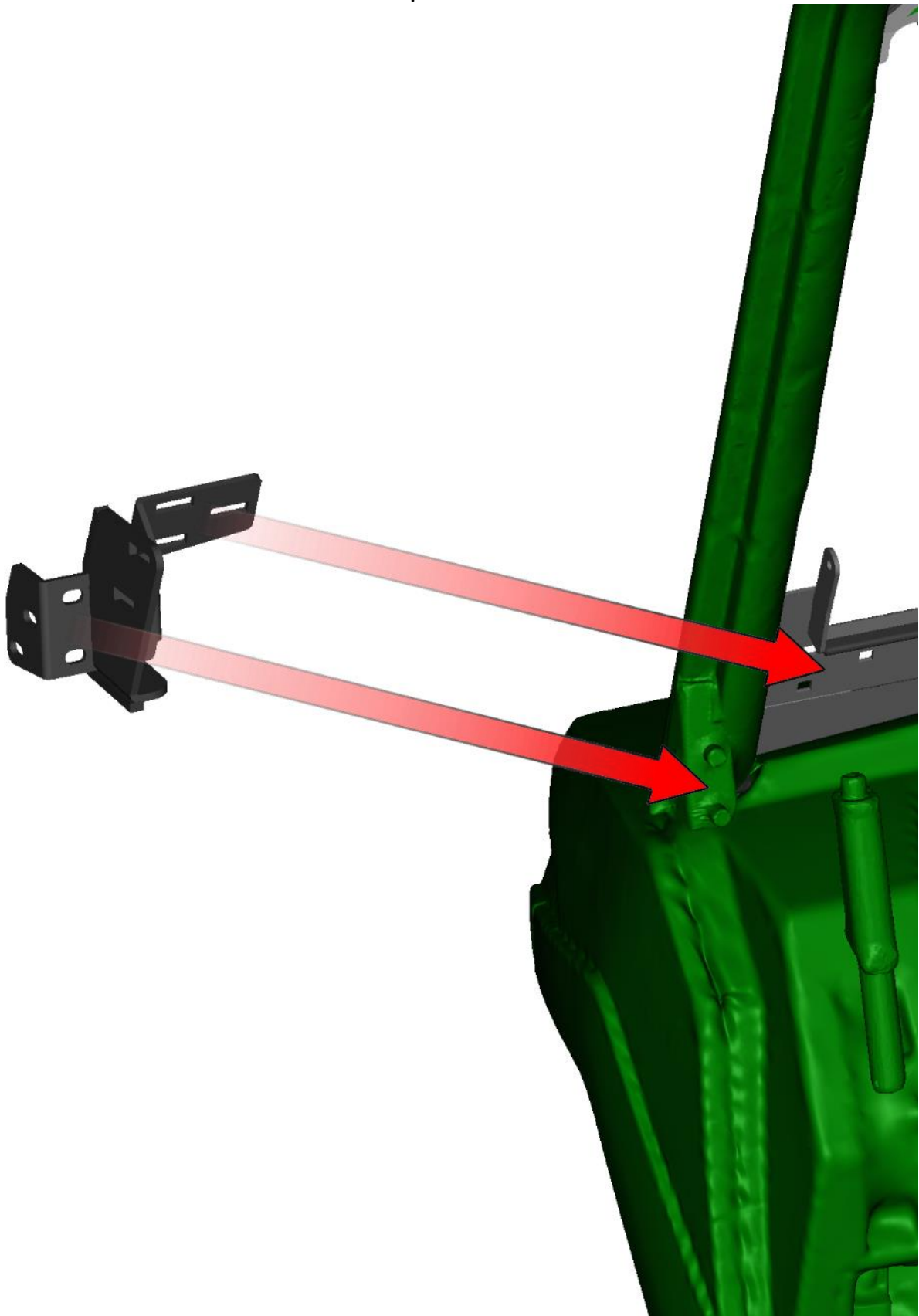


Place the bottom ledge onto the vehicle.



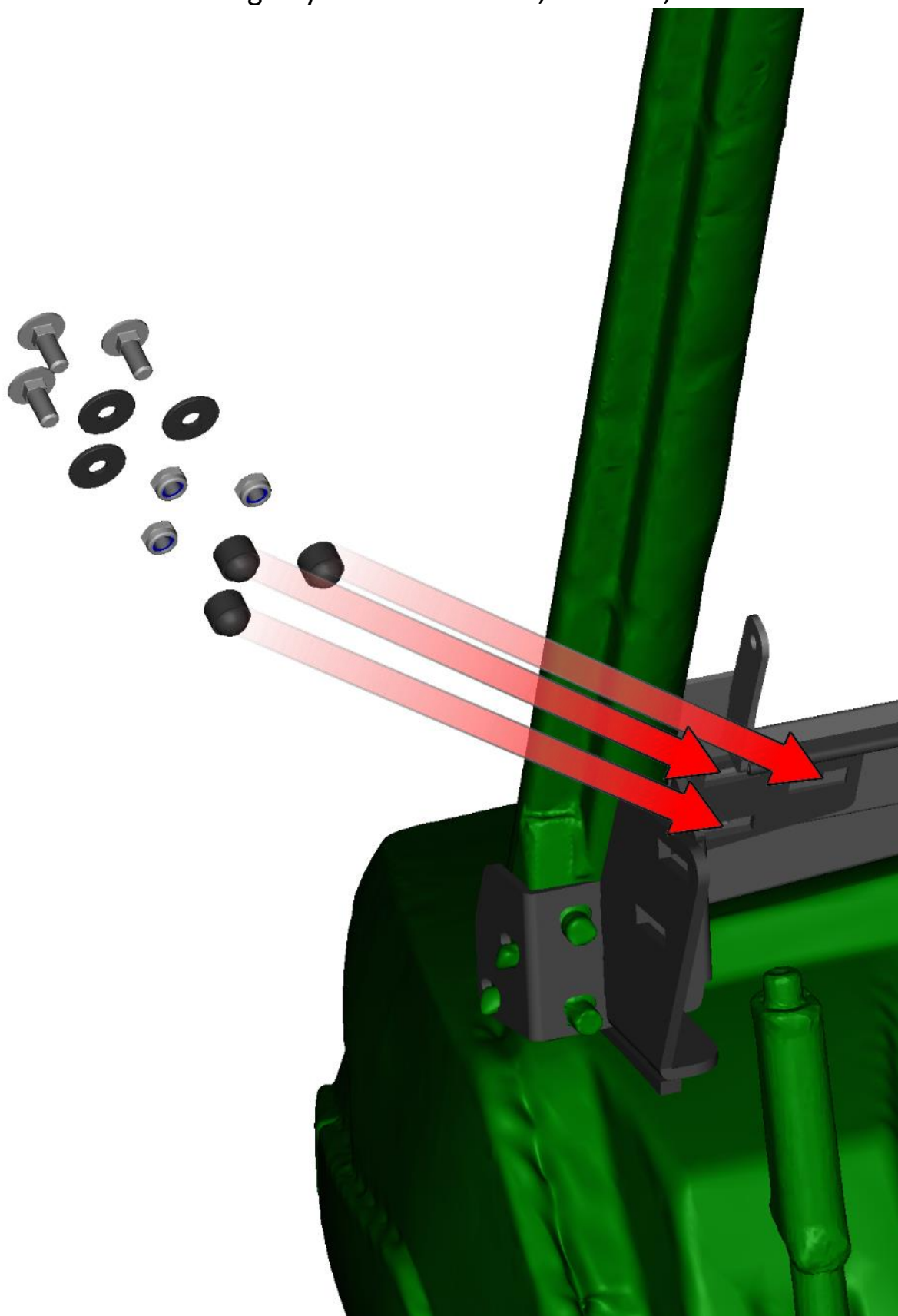
37

Place the left door stop base onto the vehicle.



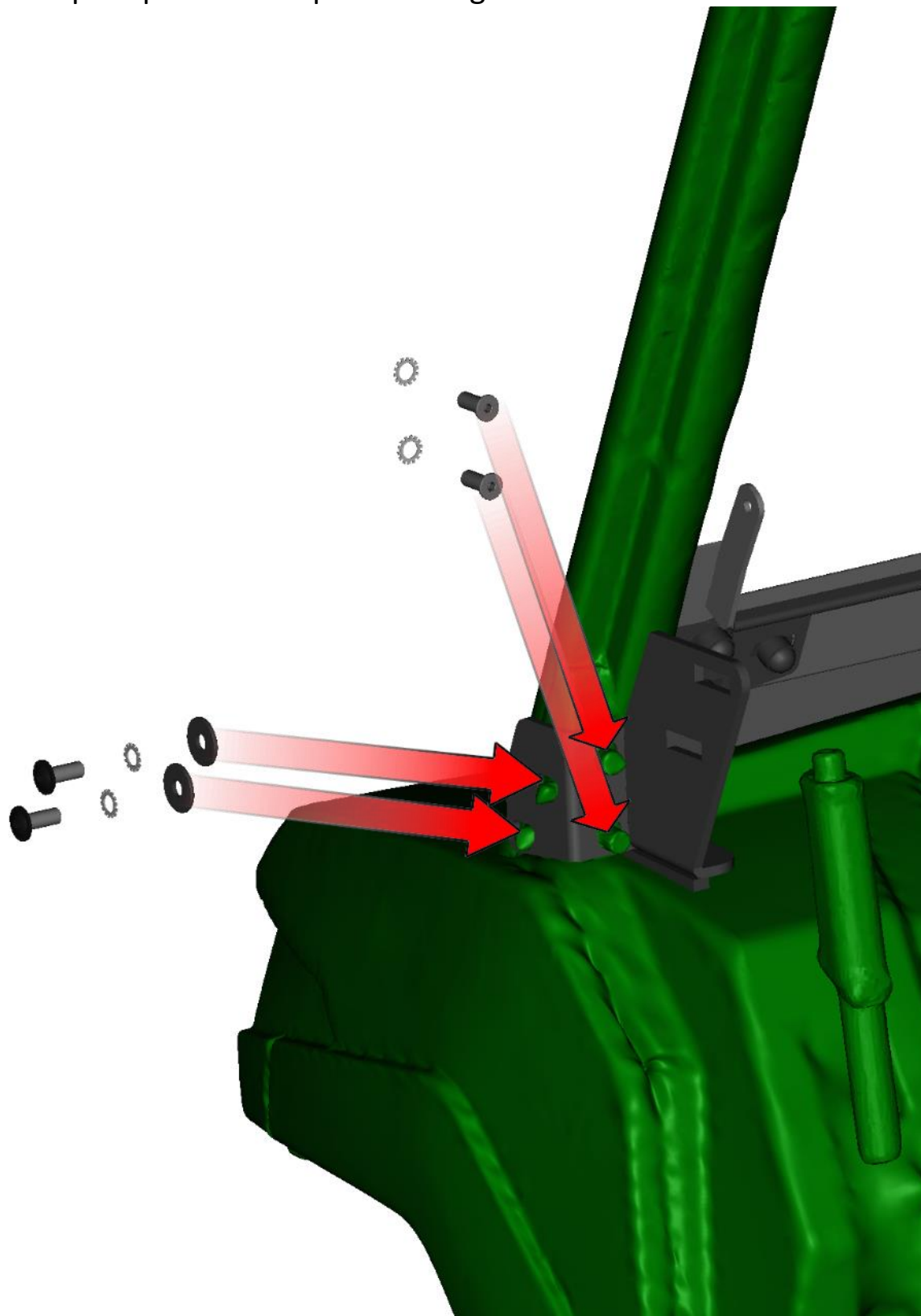
38

Fix the base with the ledge by included screws, washers, nuts and covers.



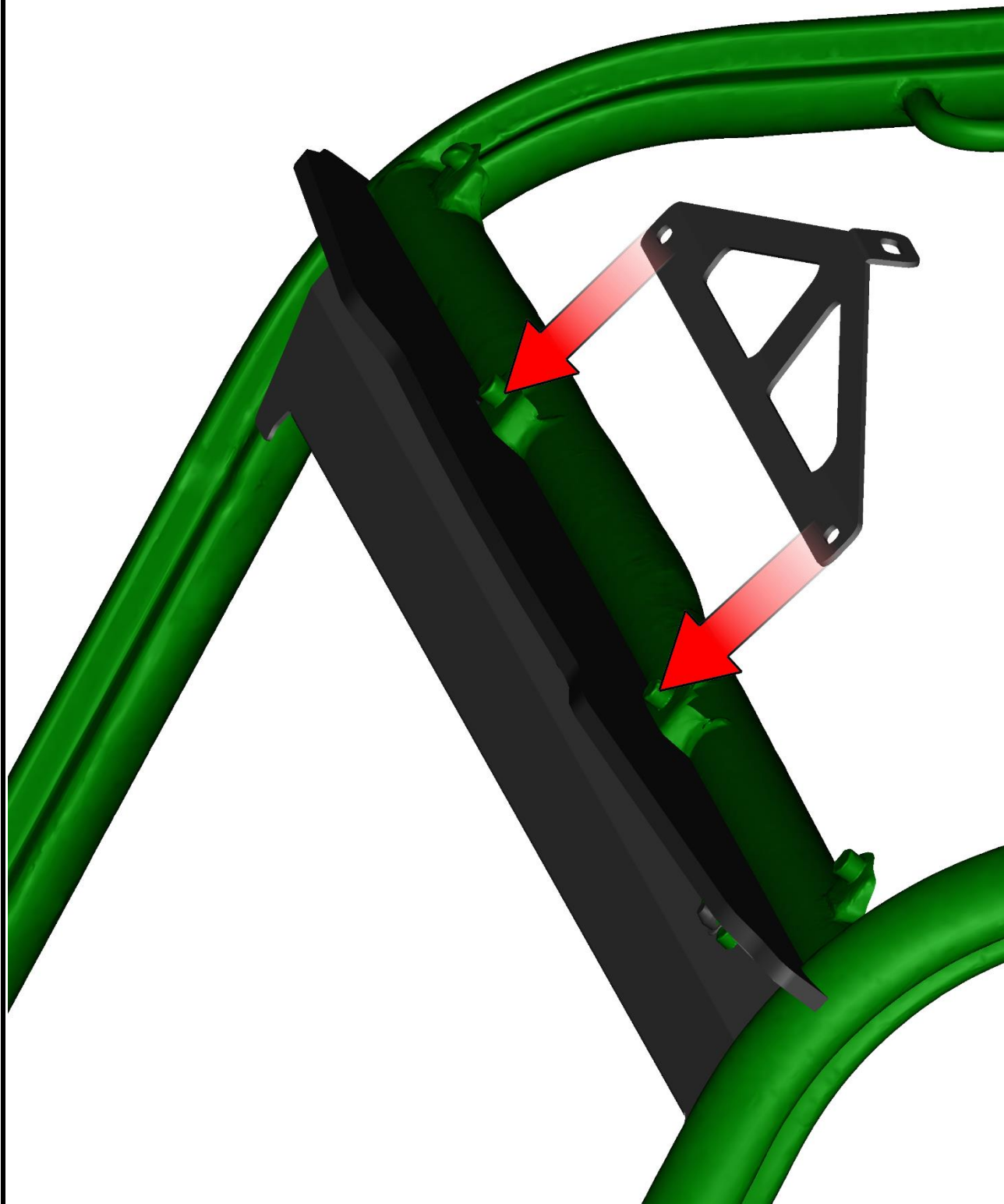
39

Fix the base with the vehicle frame by included screws and washers.
Repeat previous steps on the right side of the vehicle.



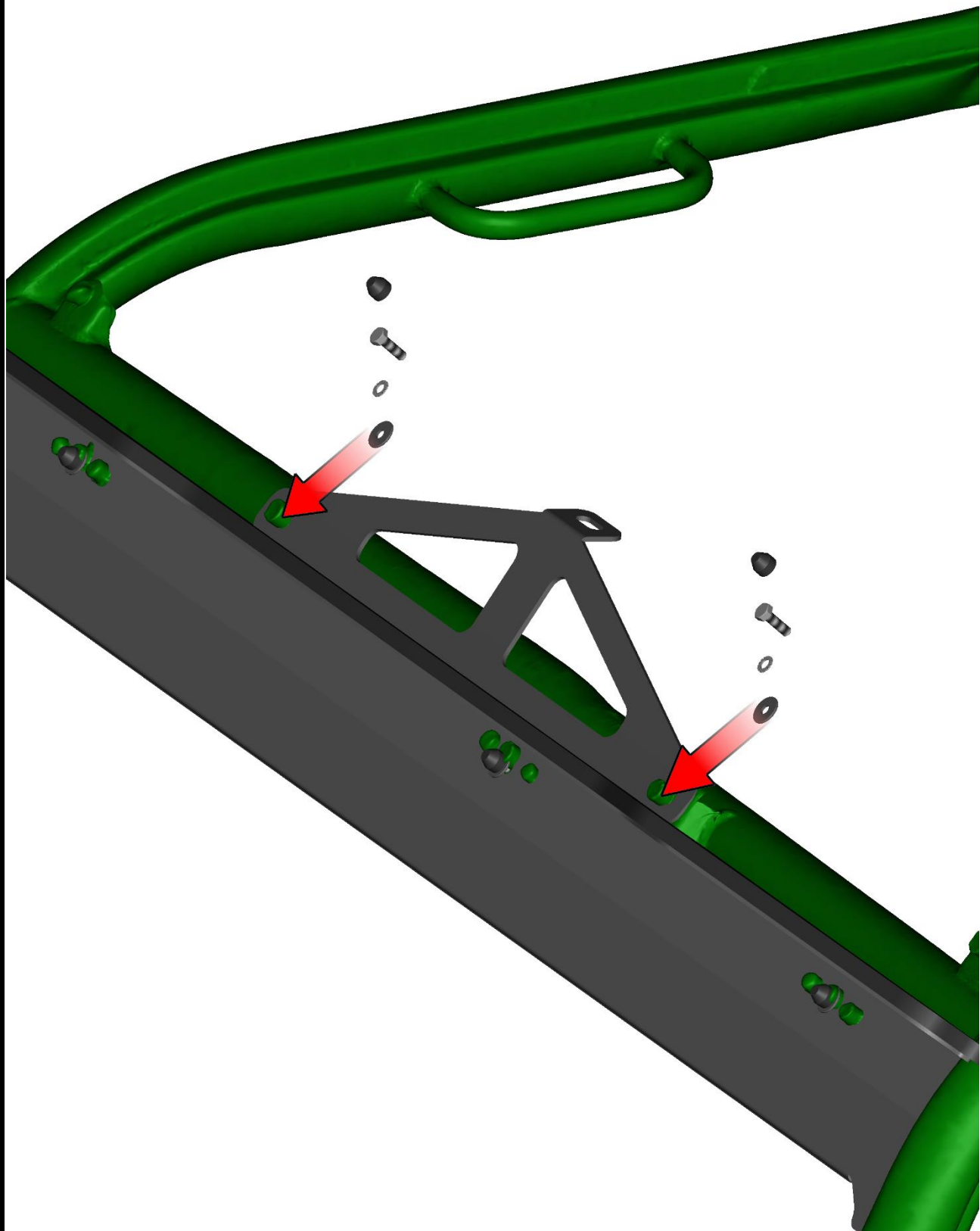
40

Place the front upper holder onto the vehicle frame.

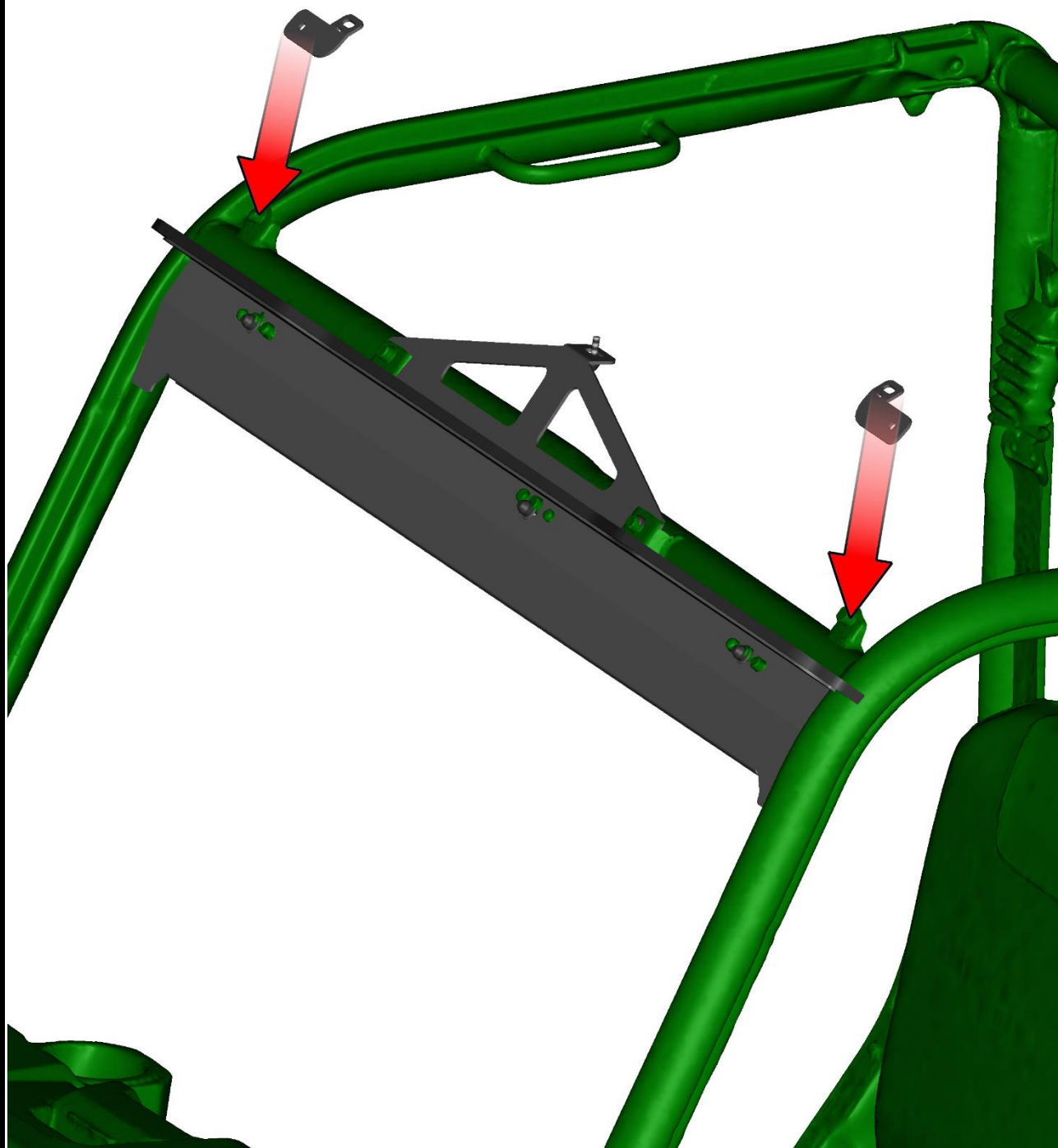


41

Fix the holder with the frame by included screws, washers and covers.



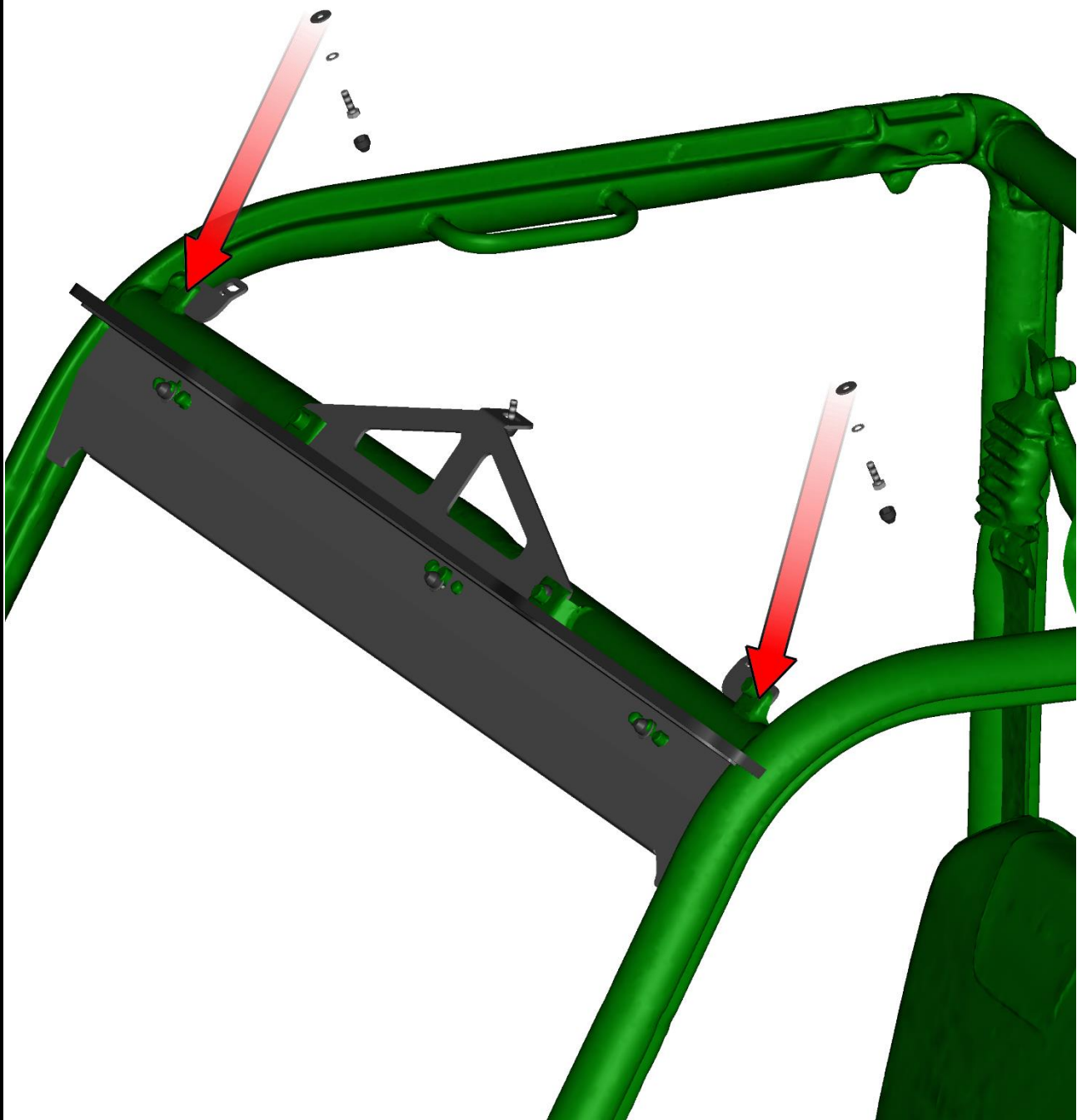
Place the side holders onto the vehicle frame.



43

Fix the holders with the frame by included screws, washers and covers.

44

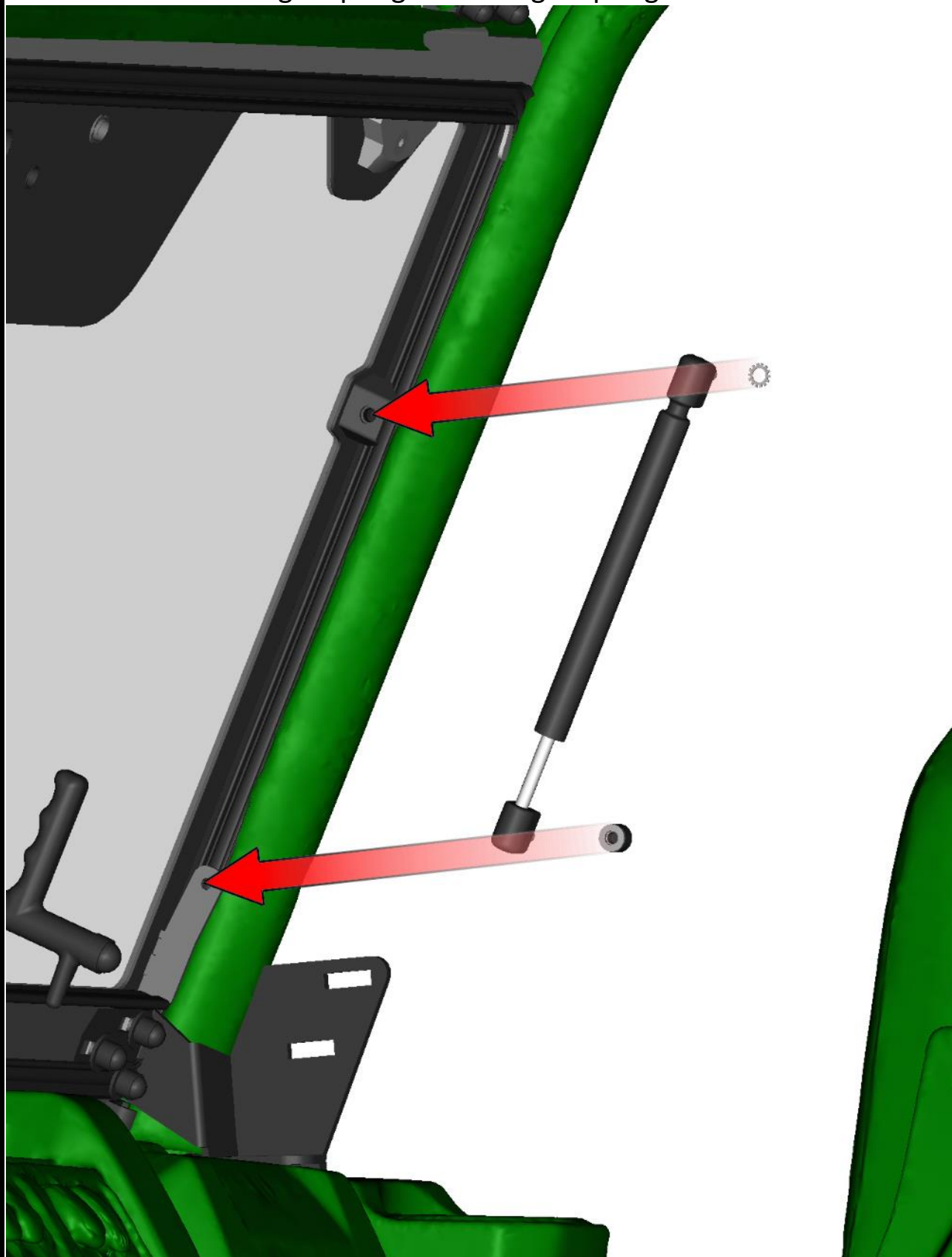


Place the front window assembly with the hinge bases onto the front upper ledge. Fix the hinge with the base to the vehicle by included screws, washers, nuts and covers on both side of the vehicle.



45

Install gas spring onto the gas spring holders.



46

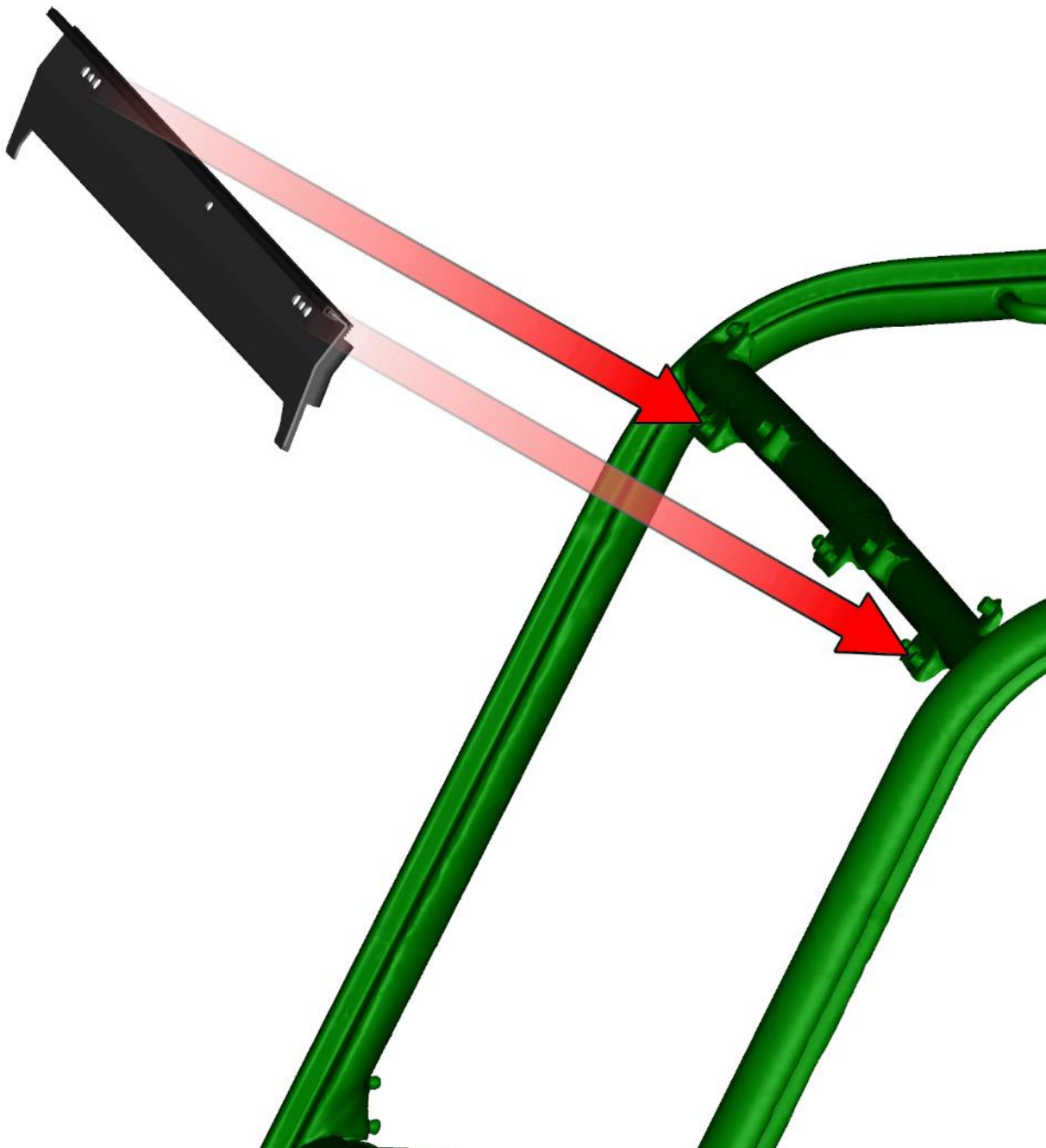
Tighten screws and nuts correctly.



47

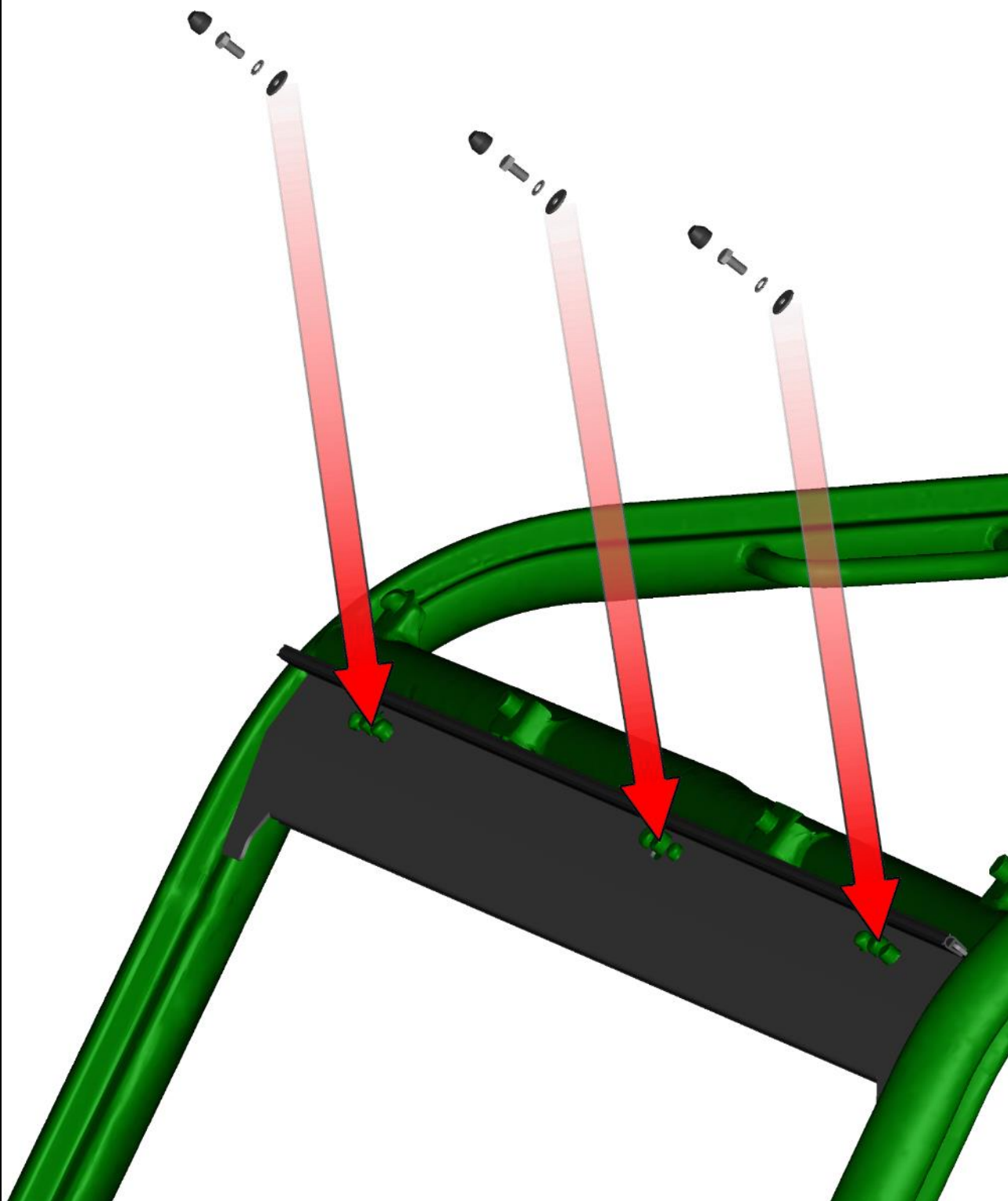
FRONT PANEL (FOR DFK ROOF)

Place the front upper ledge onto the front upper frame.



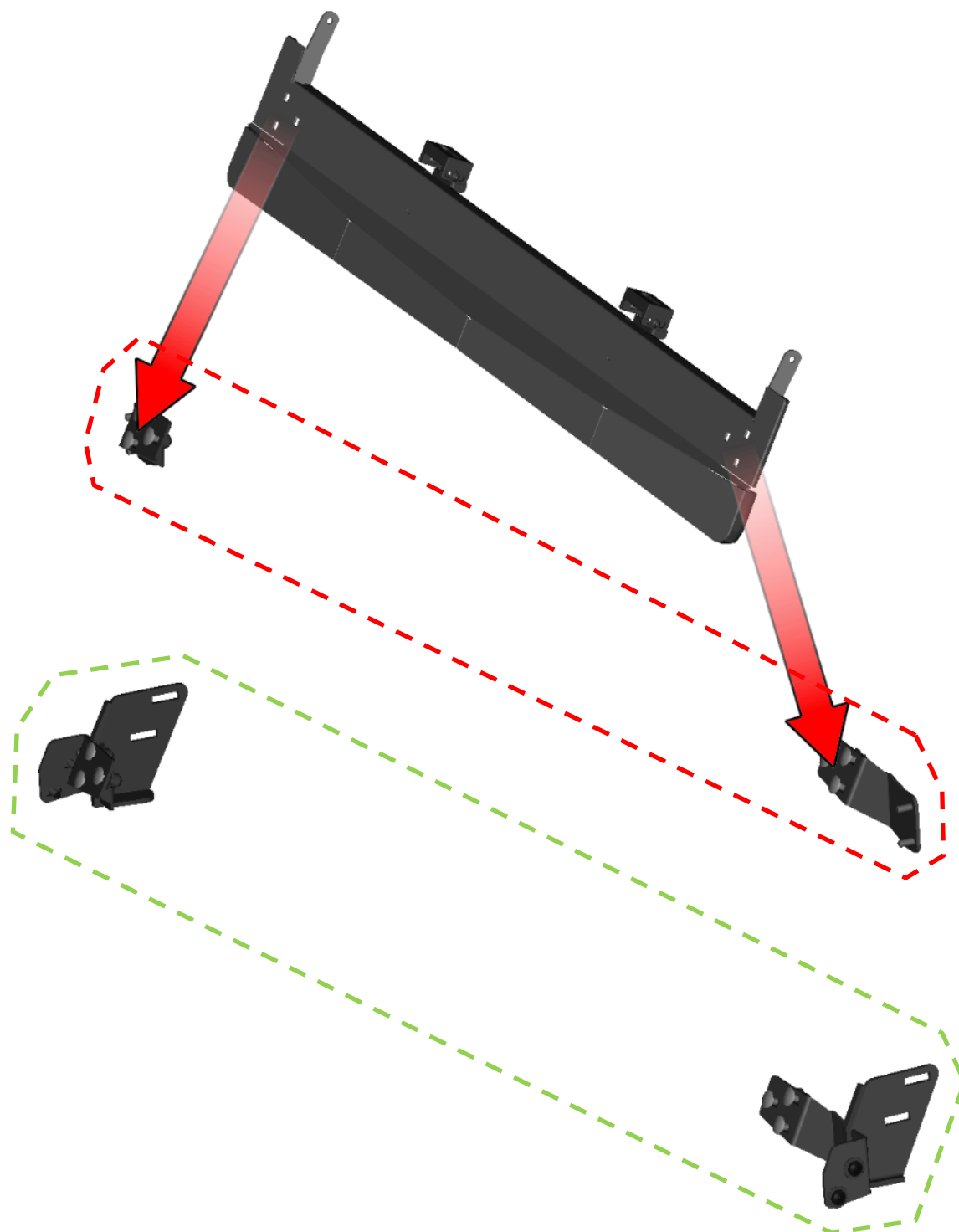
48

Fix the ledge with the vehicle frame
by included screws, washers and covers.

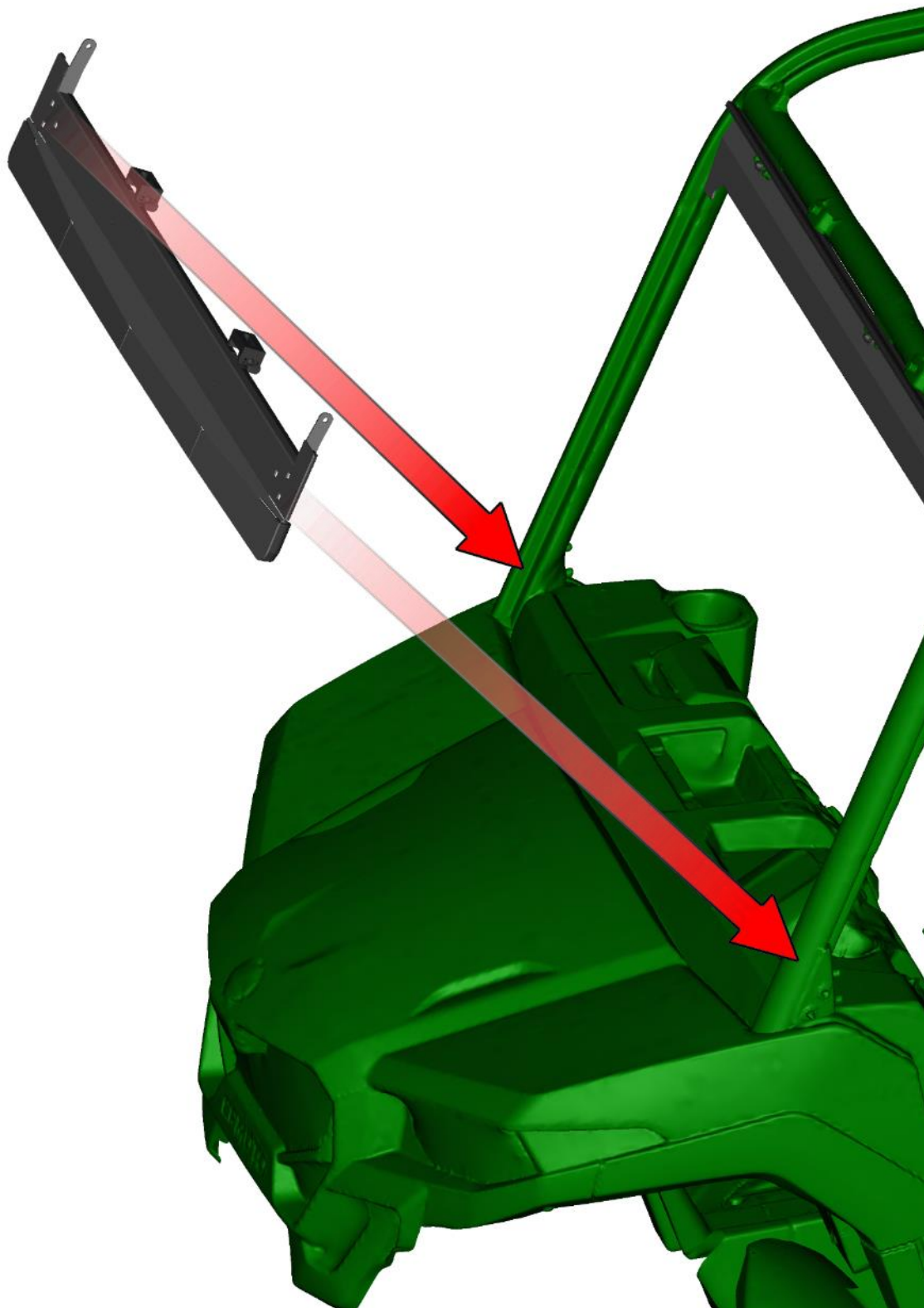


49

Uninstall the **holders** from the front bottom ledge.
If you have our doors, you have to use **door stop holder bases (which is preinstall on the doors)** instead of the front bottom holders.

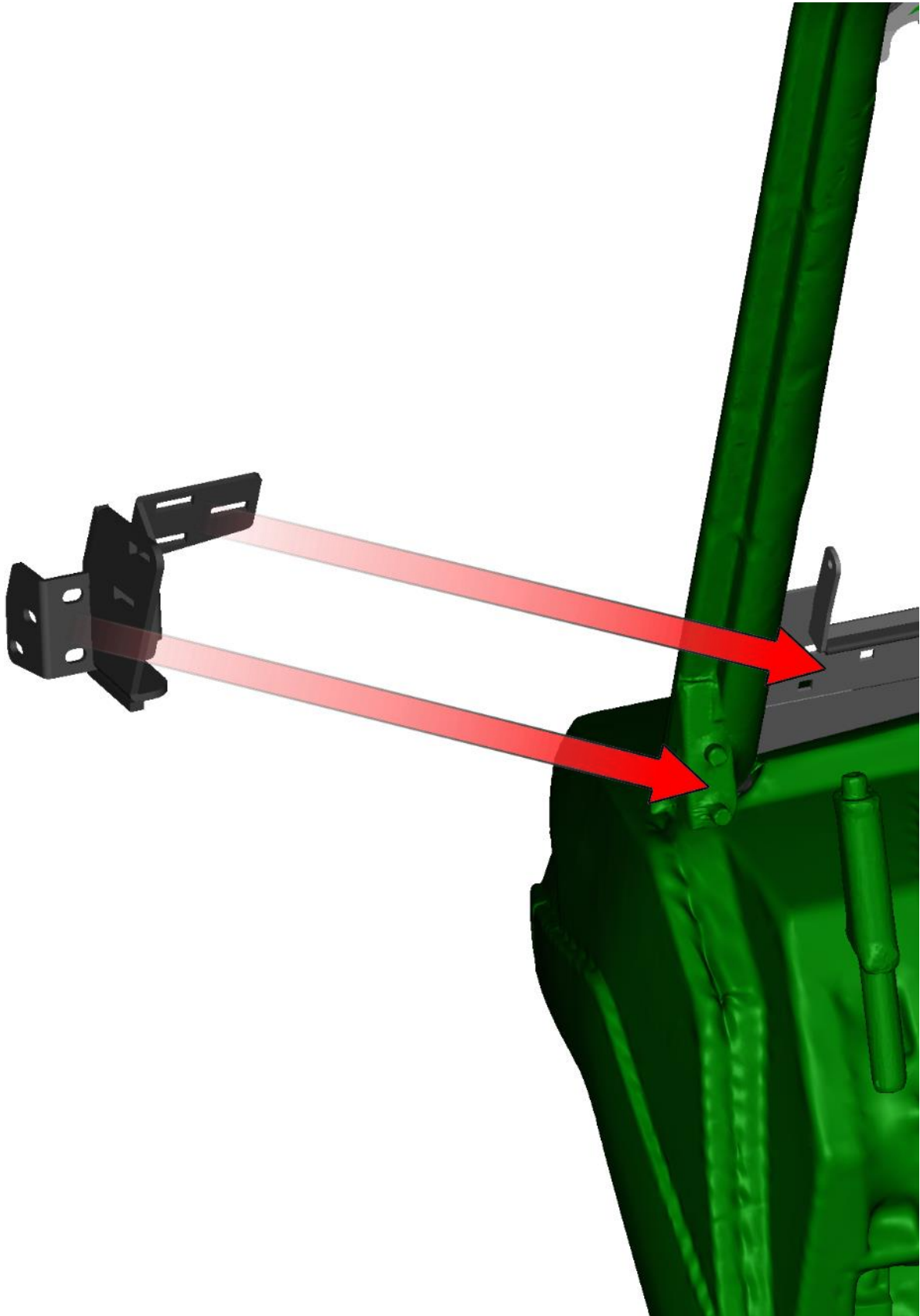


Place the bottom ledge onto the vehicle.



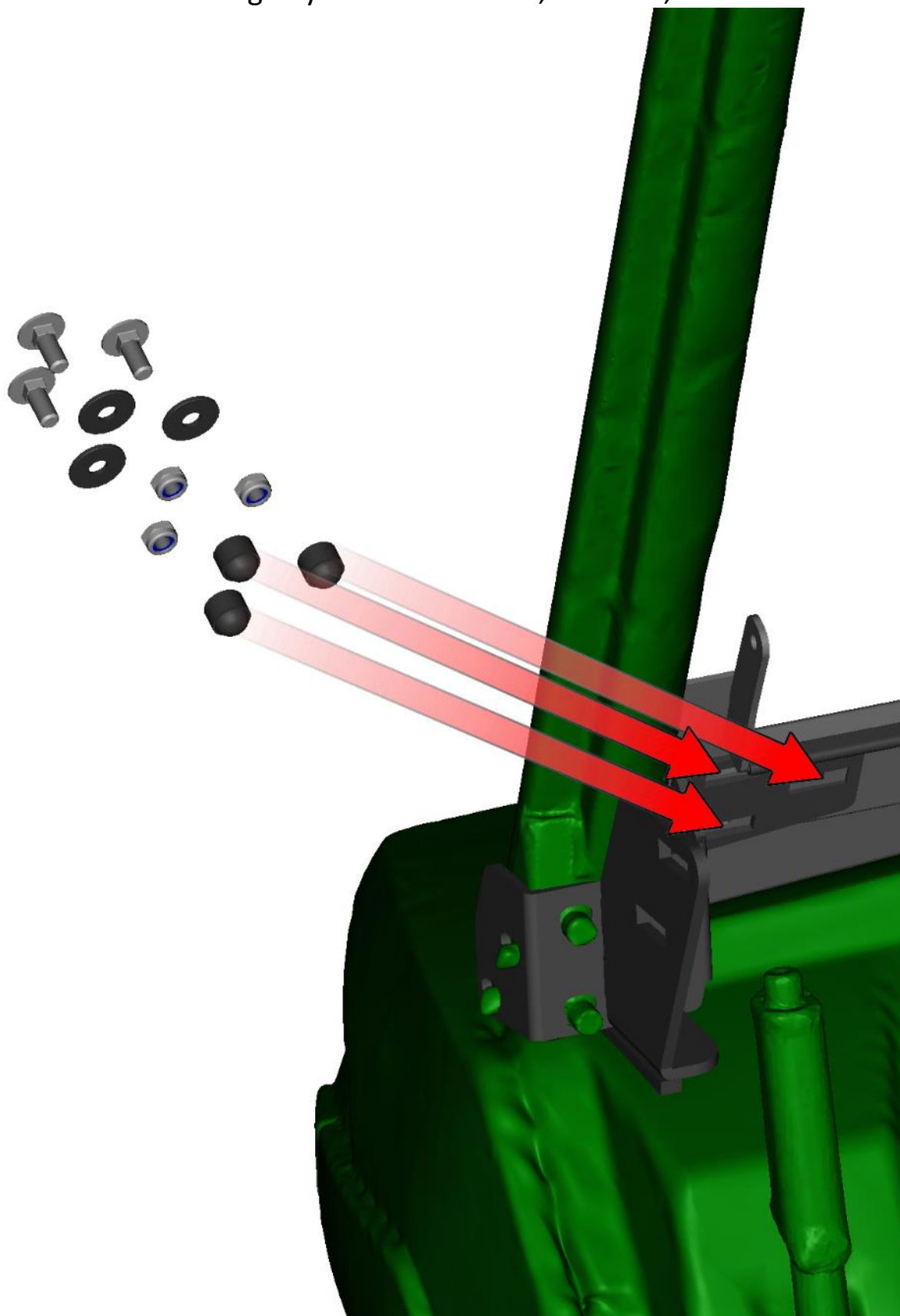
51

Place the left door stop base onto the vehicle.

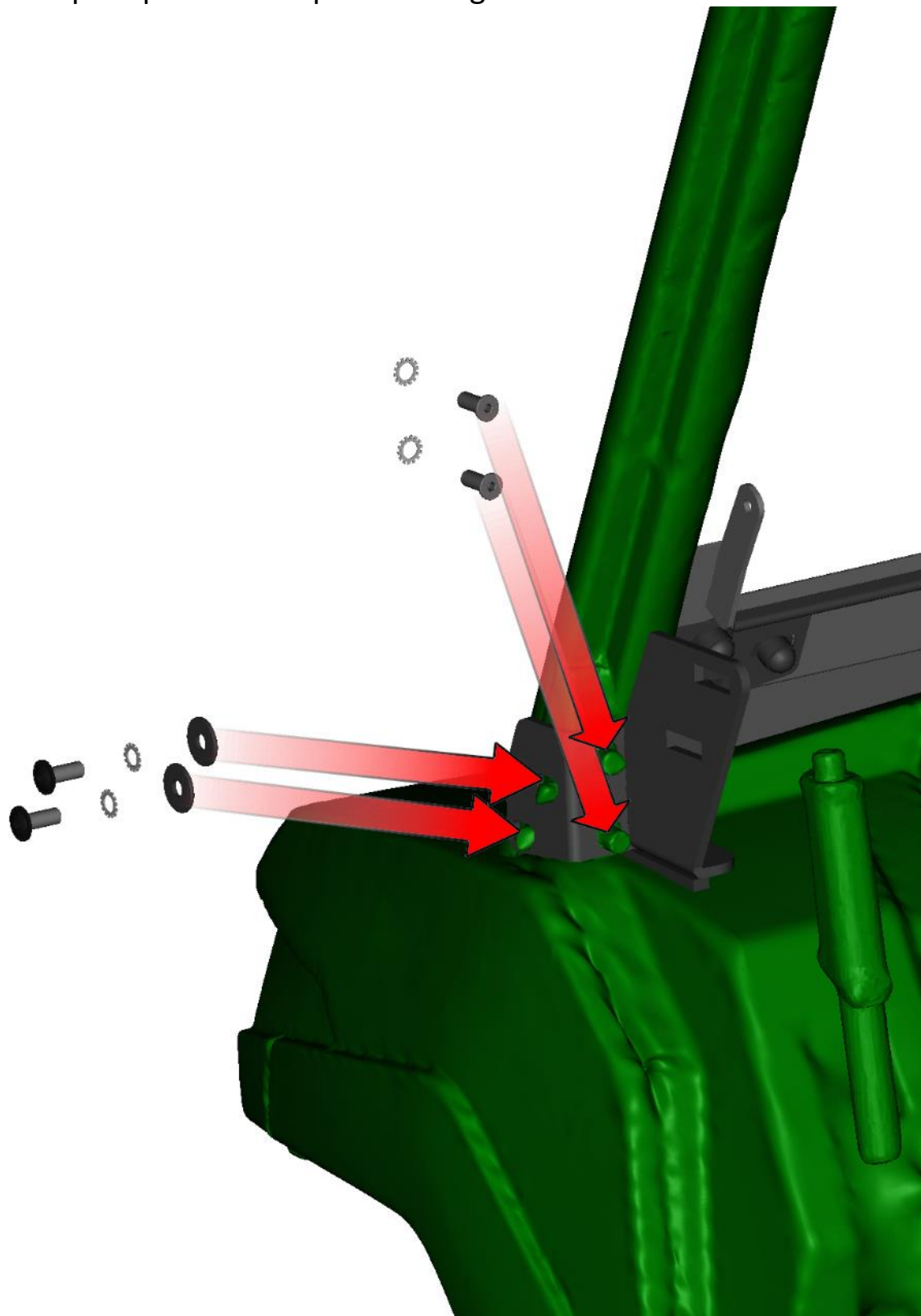


52

Fix the base with the ledge by included screws, washers, nuts and covers.

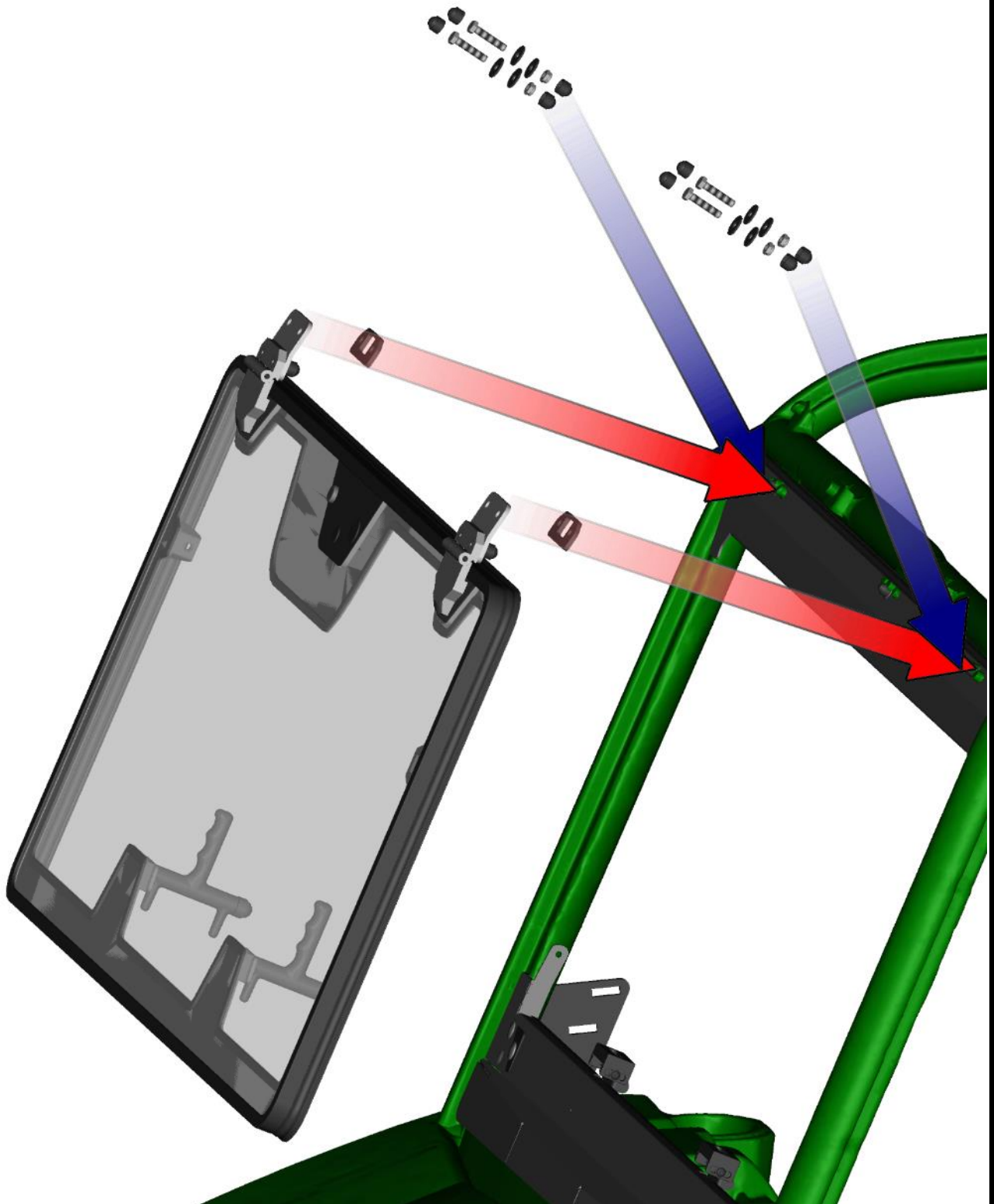


Fix the base with the vehicle frame by included screws and washers.
Repeat previous steps on the right side of the vehicle.



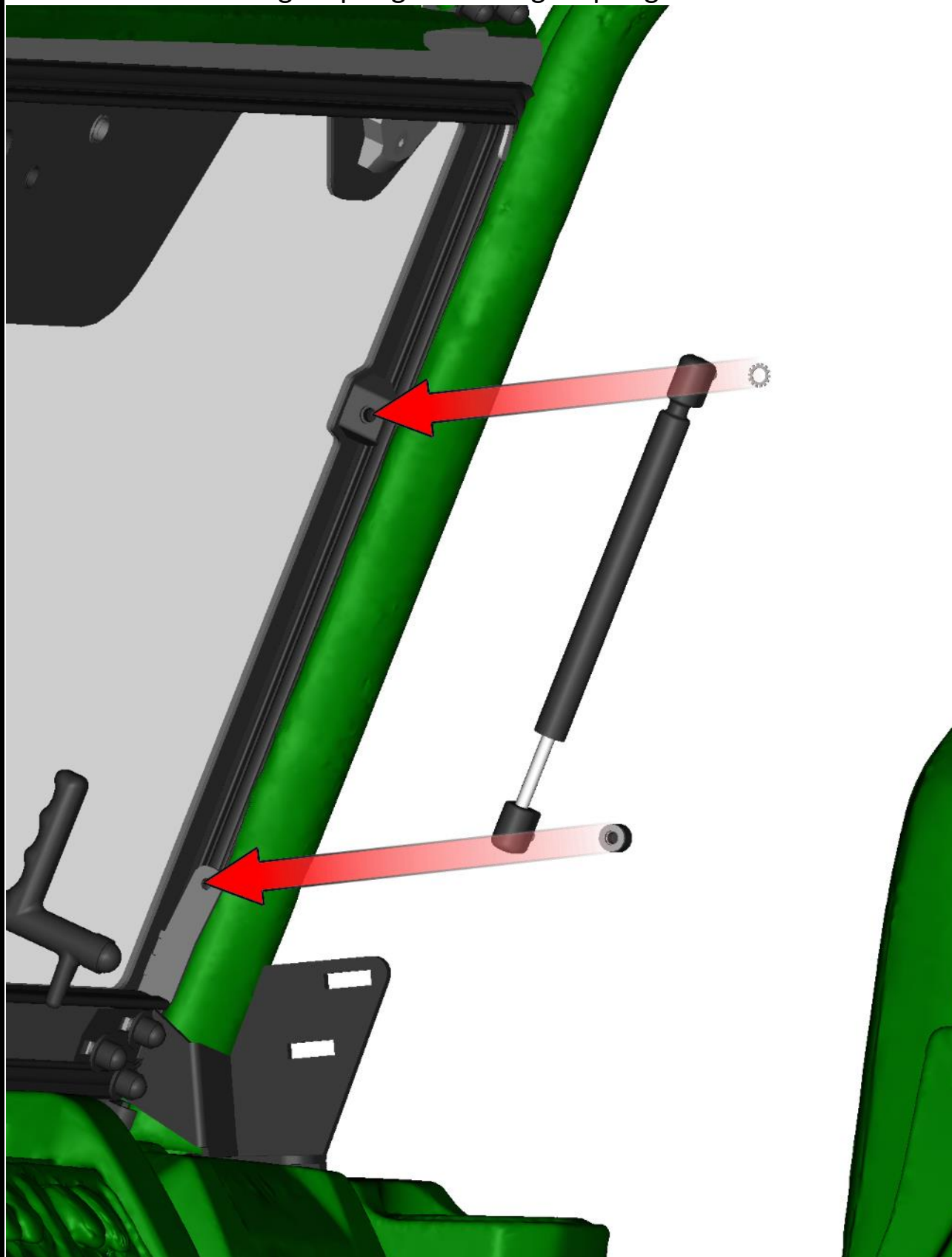
54

Place the front window assembly with the hinge bases onto the front upper ledge. Fix the hinge with the base to the vehicle by included screws, washers, nuts and covers on both side of the vehicle.



55

Install gas spring onto the gas spring holders.



56

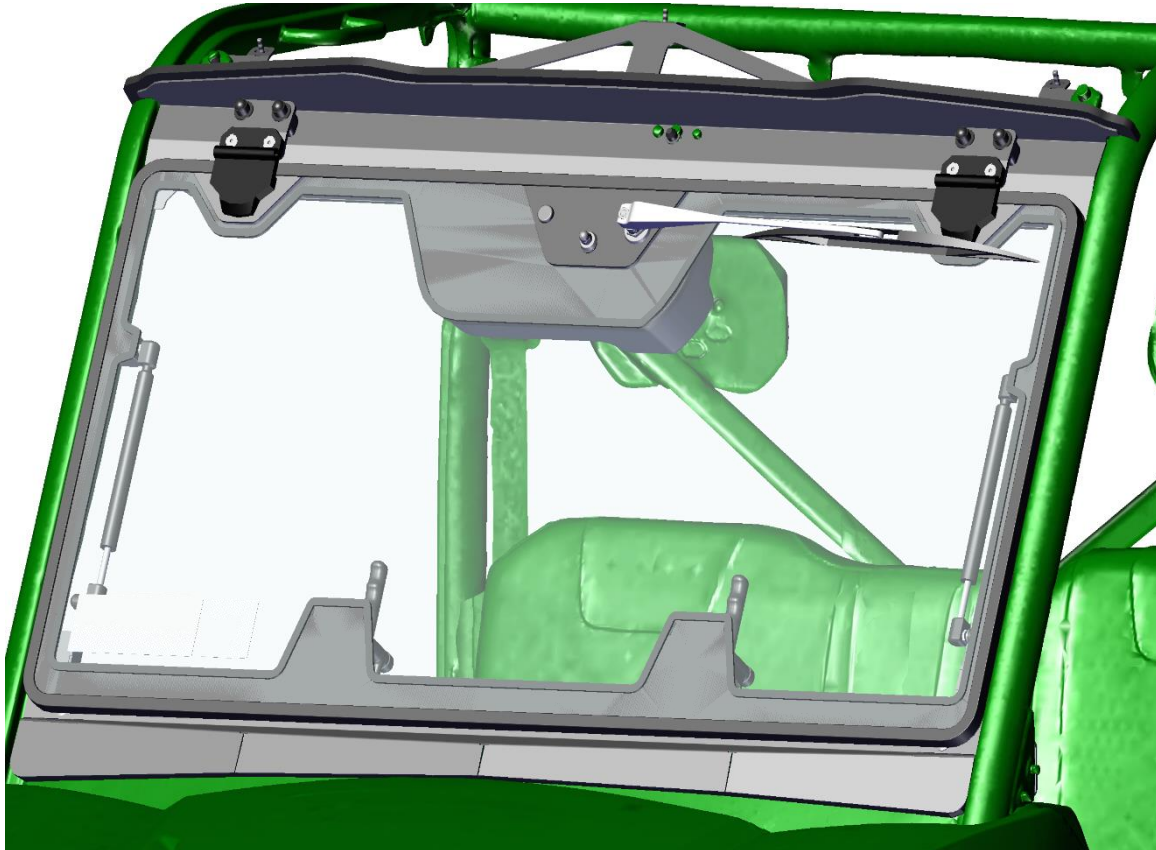
Tighten screws and nuts correctly.



57

ELECTROINSTALLATION 2.

Install front wiper motor assembly onto the front window.



58

Connect the wiper harness with the wiper motor assembly. Connect the washer harness and washer hose with the wiper motor assembly.



VERSION ORIGINAL ROOF

Stick the included sealing onto the original roof.



Stick the included sealing onto the original roof.



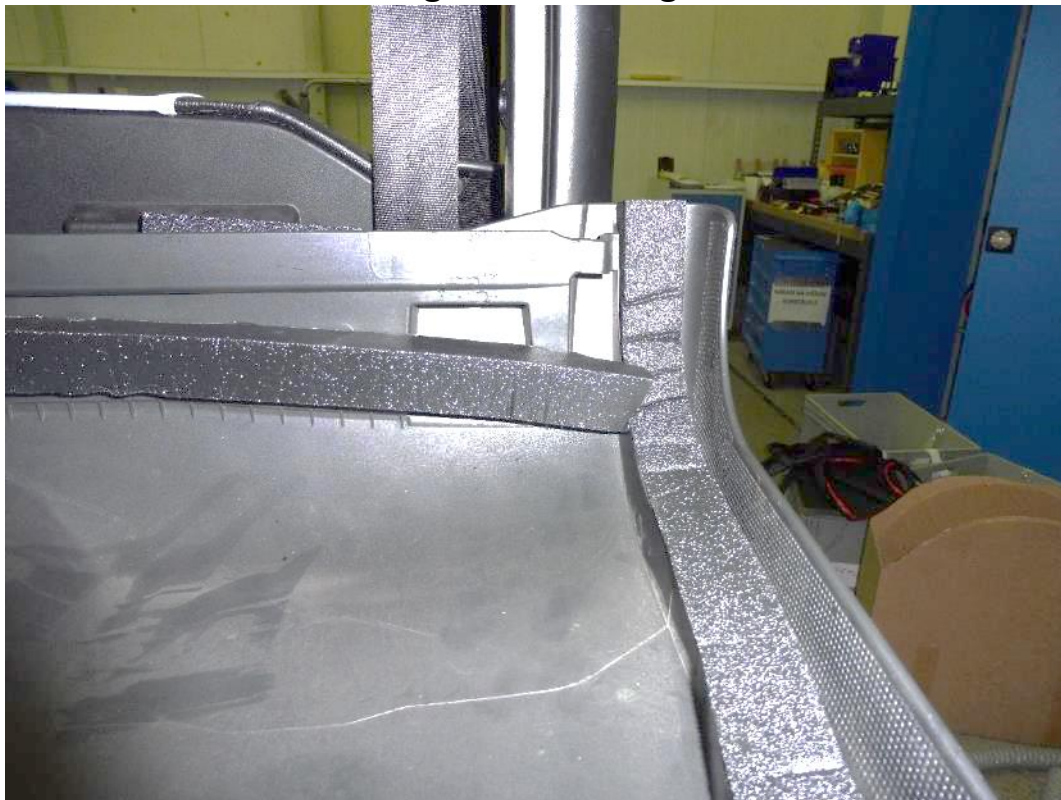
Stick the included sealing onto the original roof.



Stick the included sealing onto the original roof. DETAIL VIEW



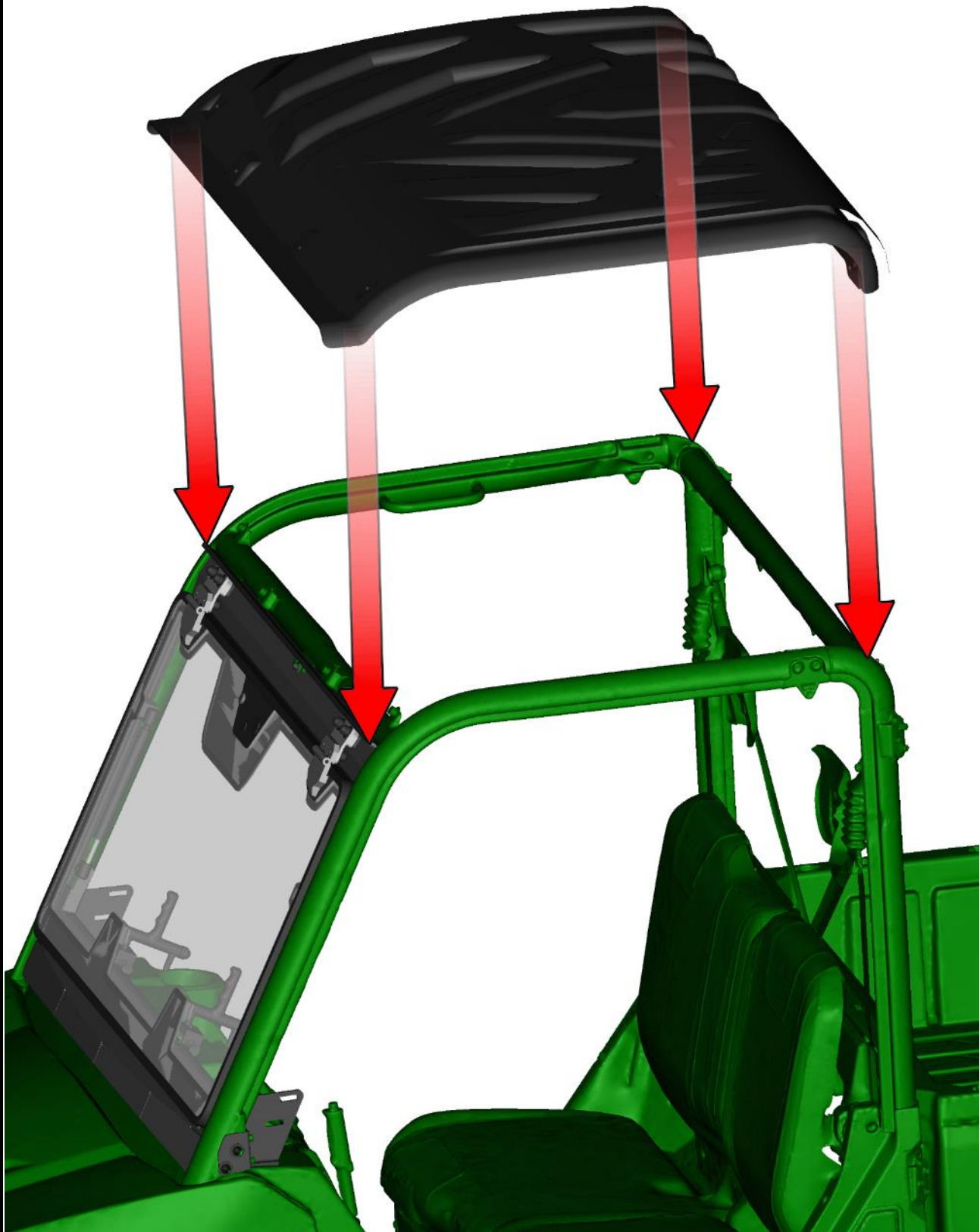
Stick the included sealing onto the original roof. DETAIL VIEW



Install the roof back to the vehicle frame.

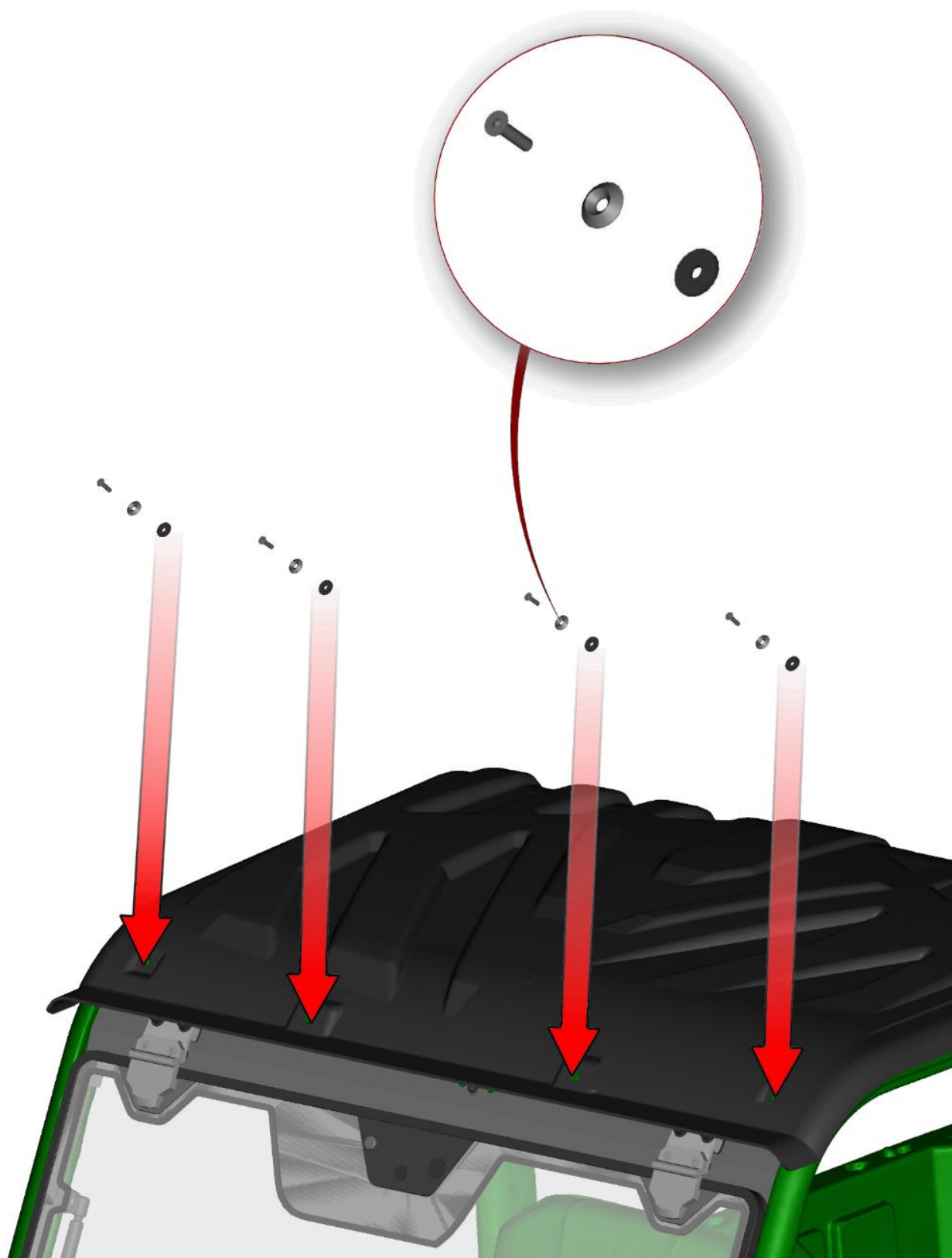
61

Place the roof onto the vehicle frame.



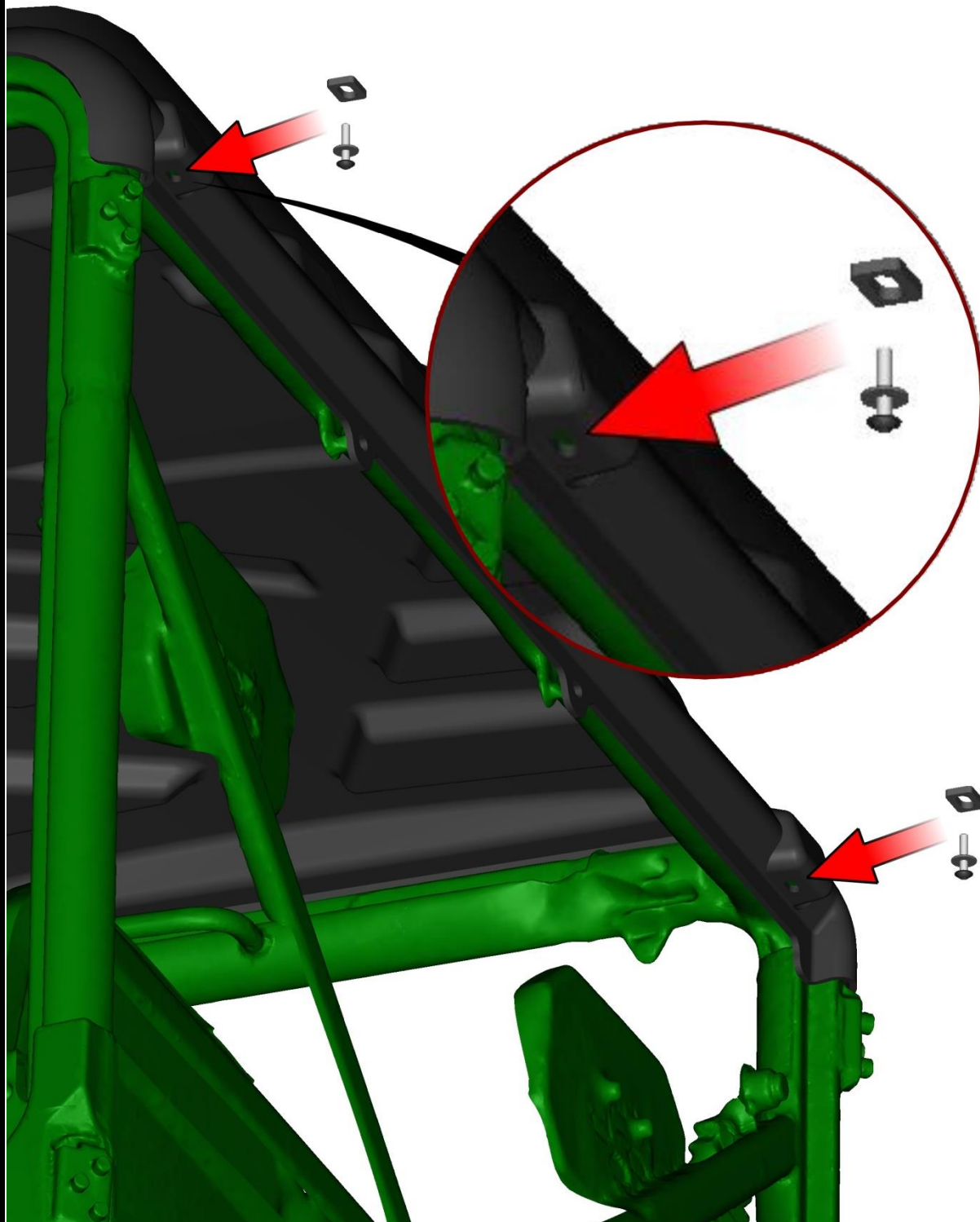
62

Fix the front side roof onto the vehicle frame by included screws and washers.

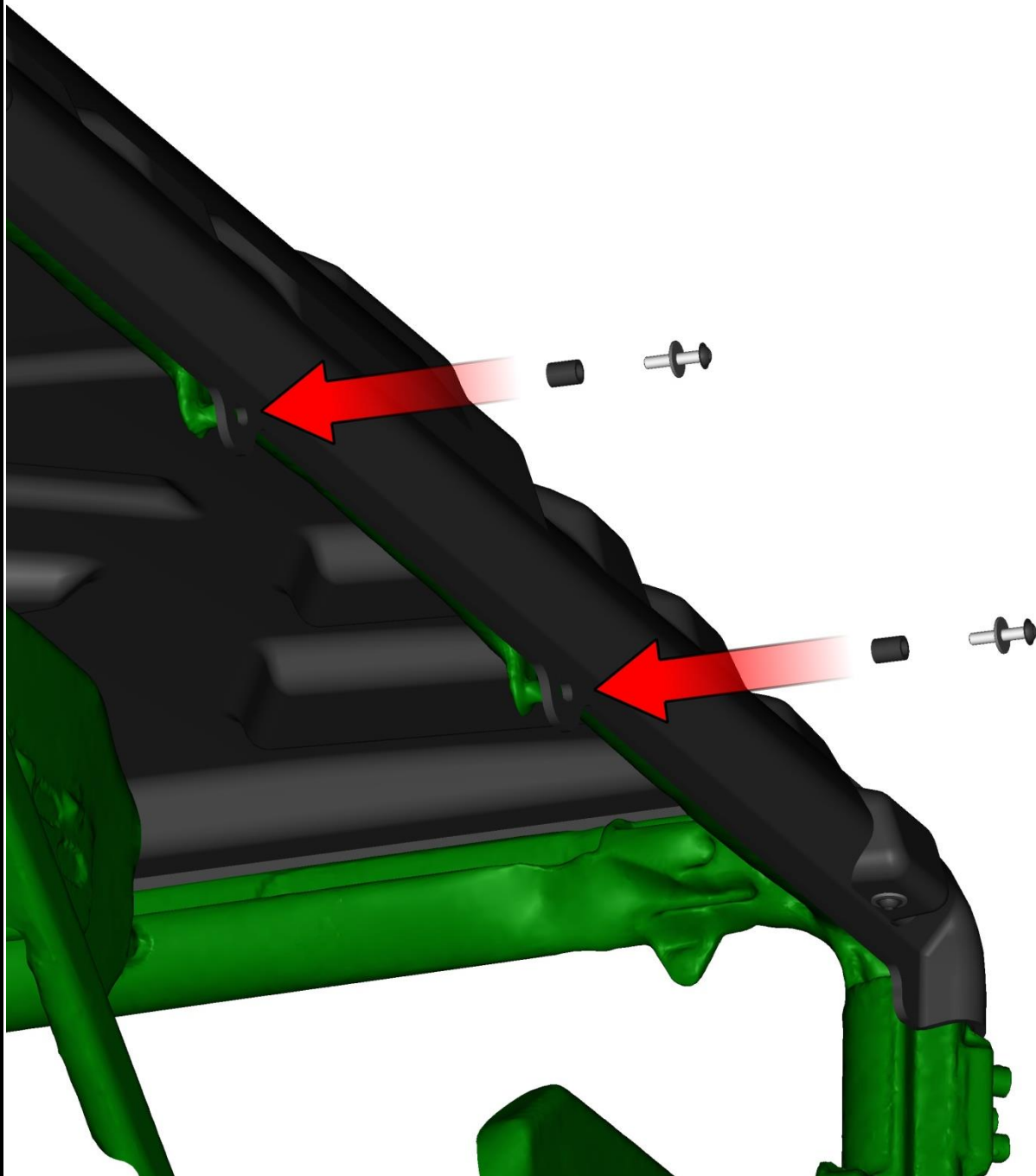


63

Fix the rear side roof onto the frame by included distance washers, screws and washers.



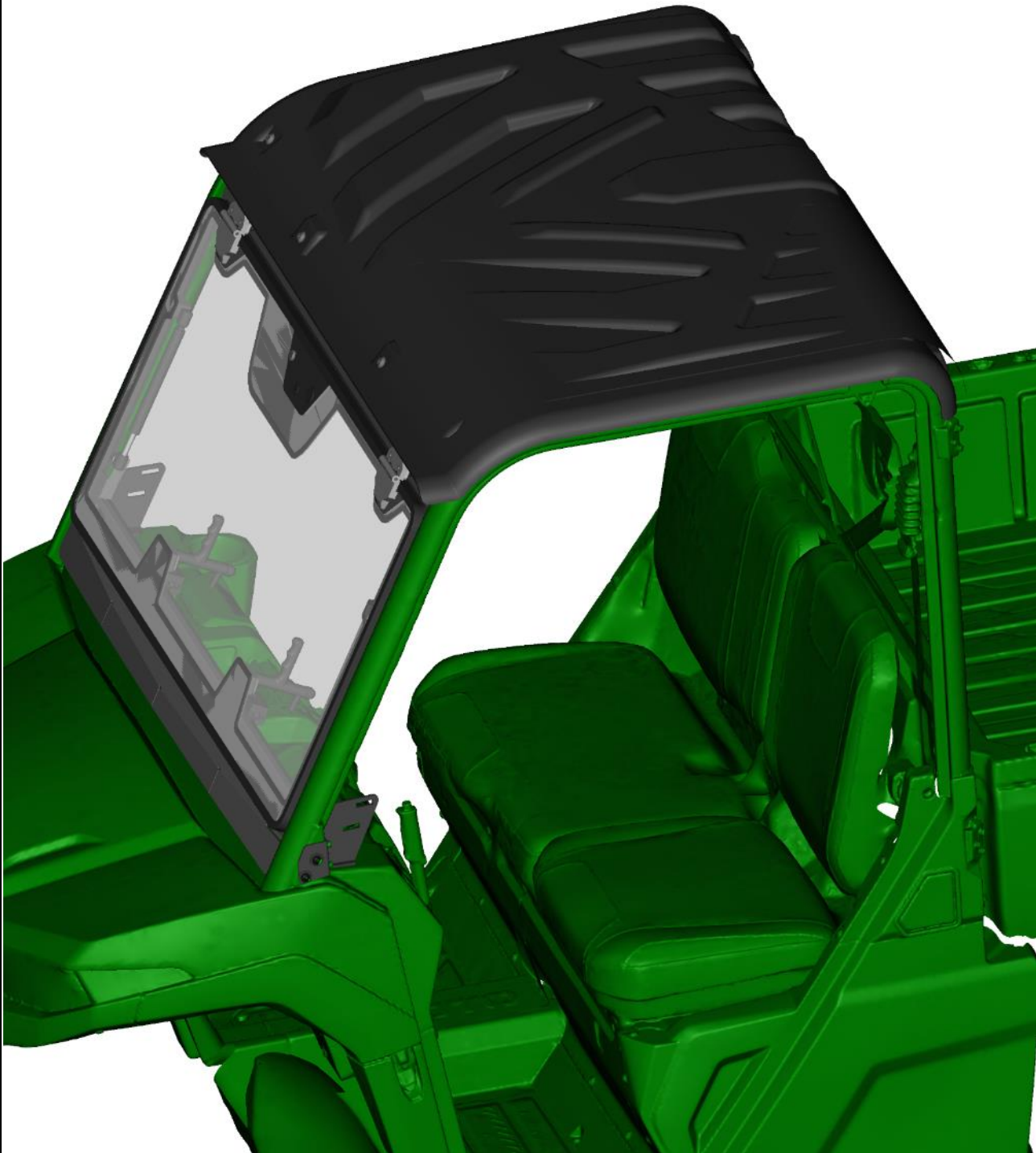
Fix the roof with the frame by included distance tubes, screws and washers.



65

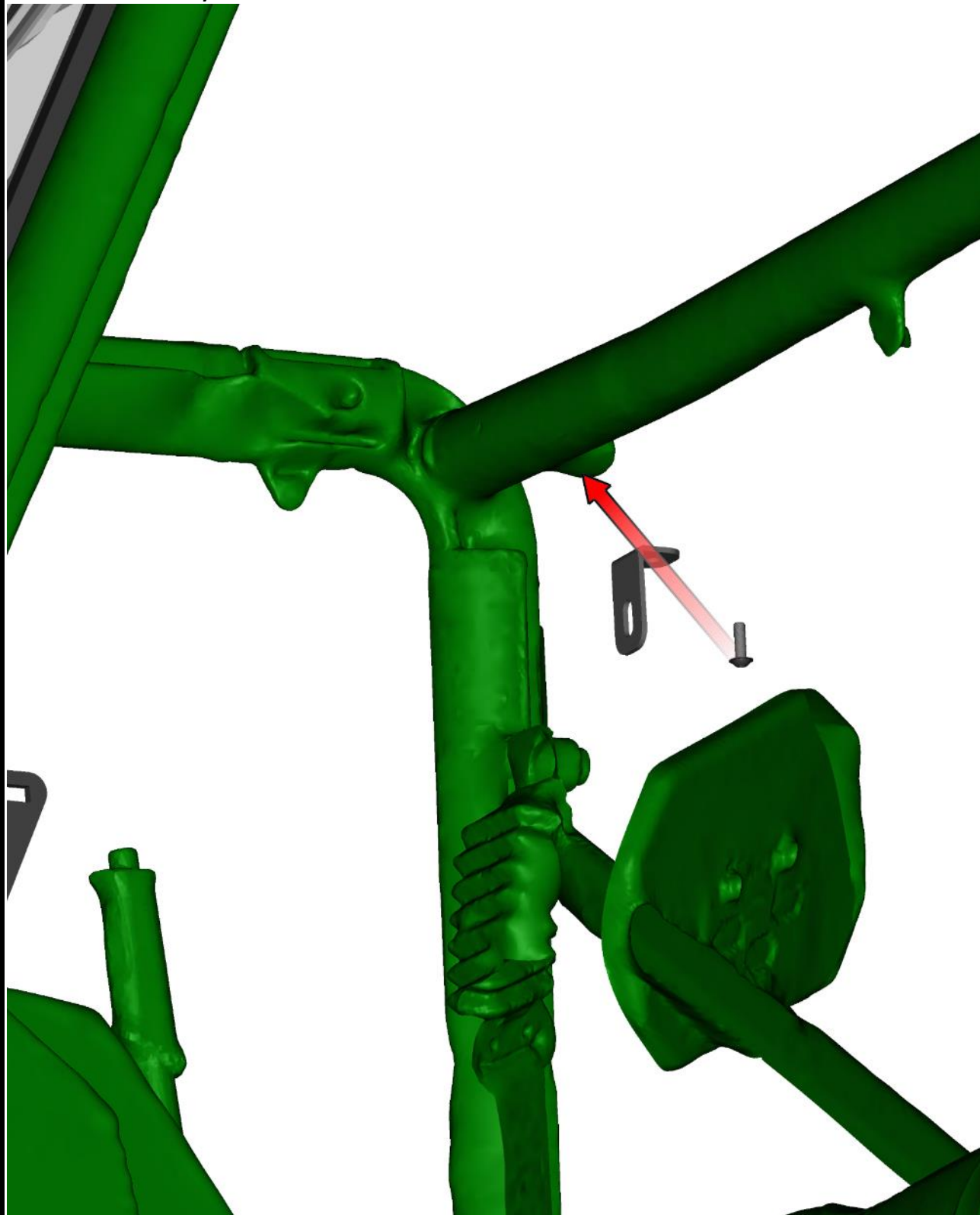
Adjust the roof to the best position and tighten screws correctly.

66



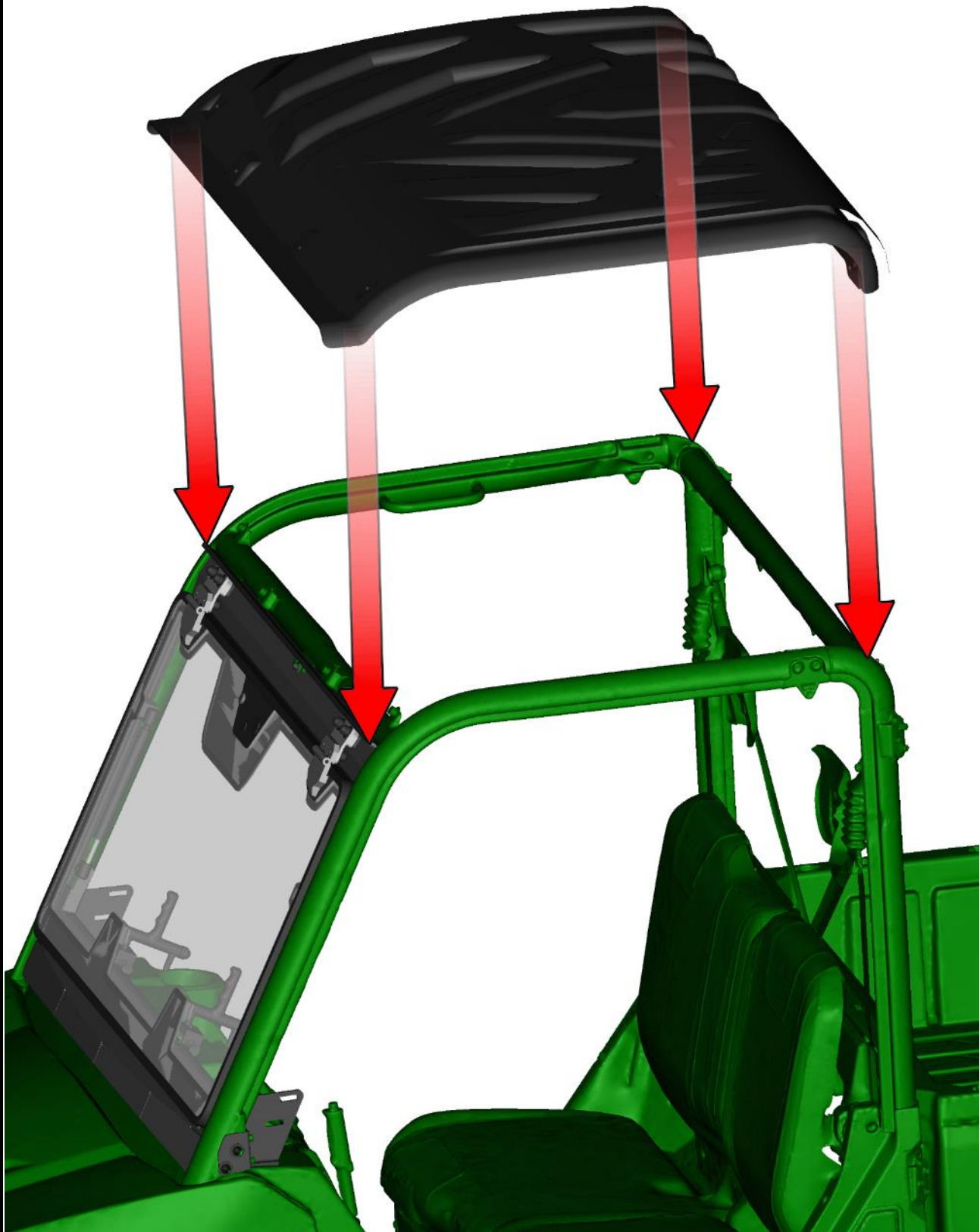
VERSION DFK ROOF

Place the roof holders onto the vehicle frame and fix holder with frame by included screws on both sides of the vehicle.



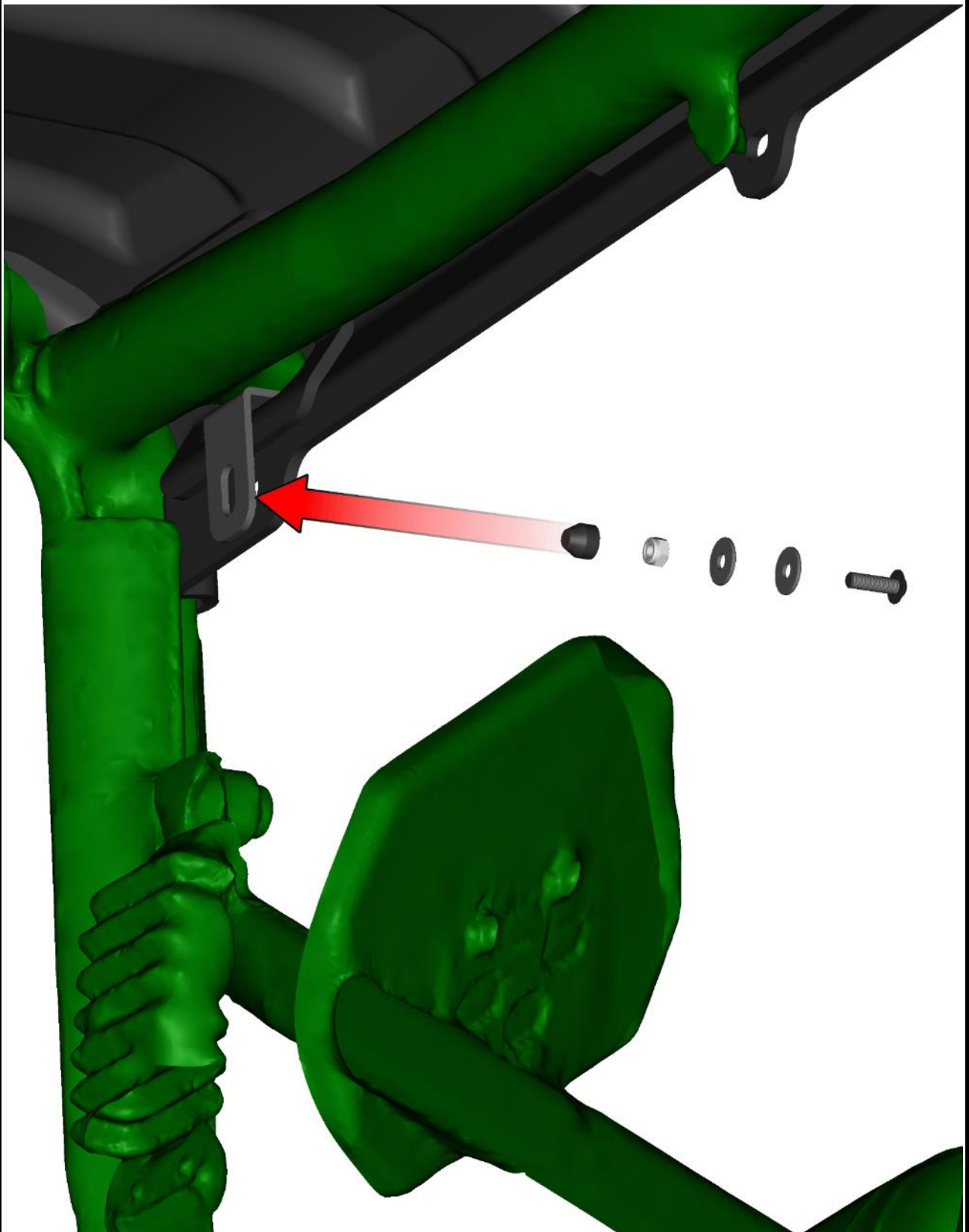
67

Place the roof onto the vehicle frame.



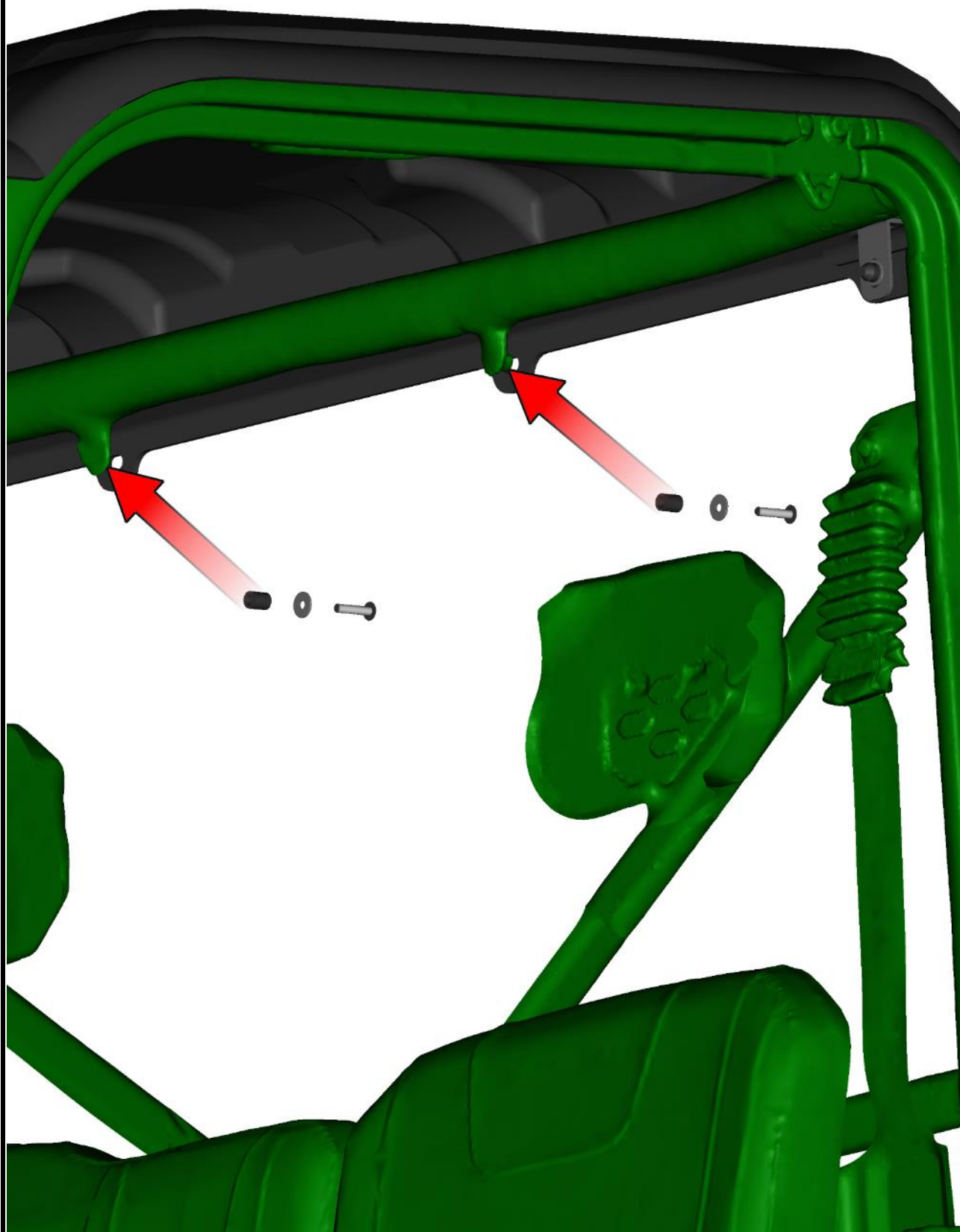
68

Fix the roof with the holder by included screws, washers, nuts and covers on both sides of the vehicle.



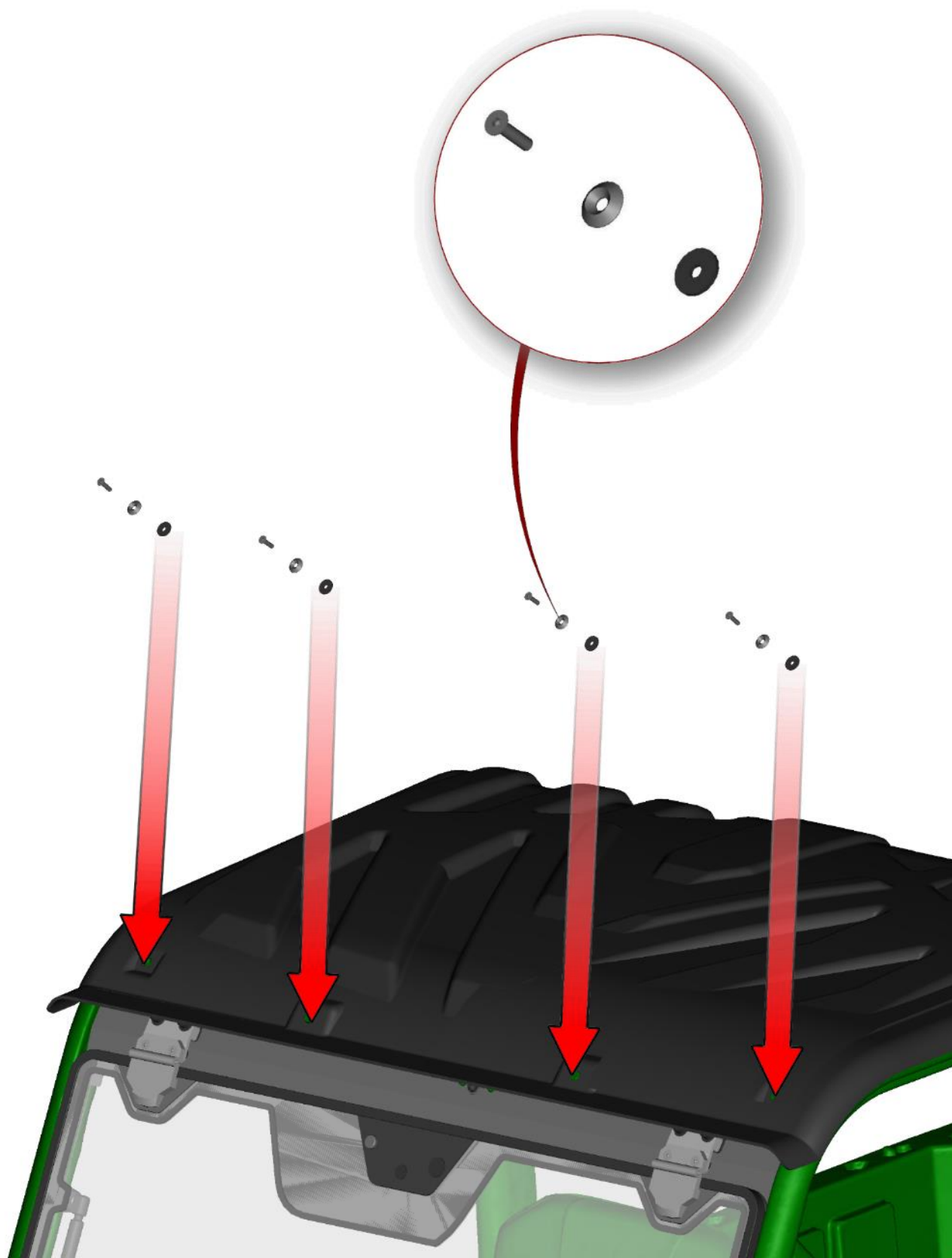
69

Fix the roof with the frame by included distance tubes, screws and washers.



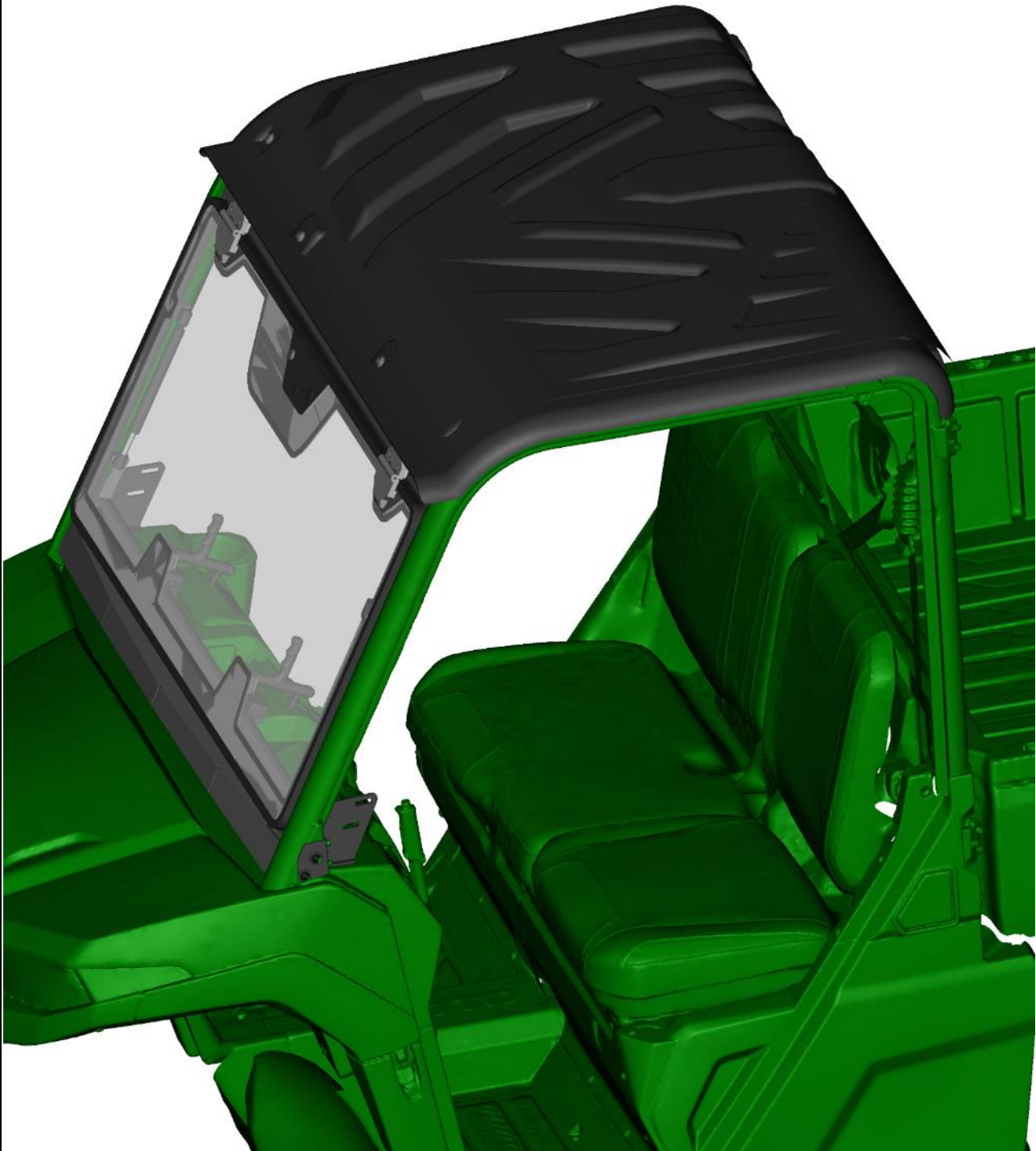
70

Fix the roof with the vehicle frame by included screws and washers.



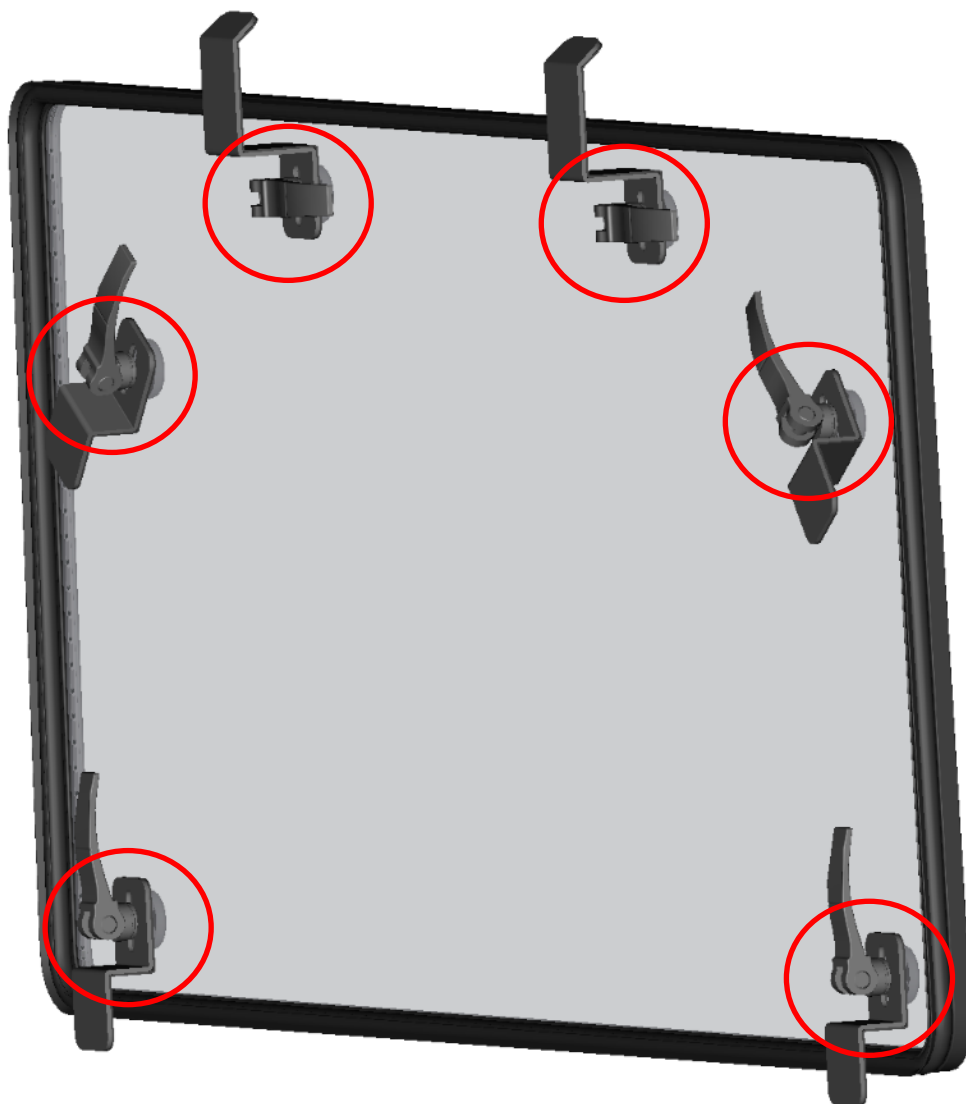
71

Adjust the roof to the best position and tighten screws correctly.



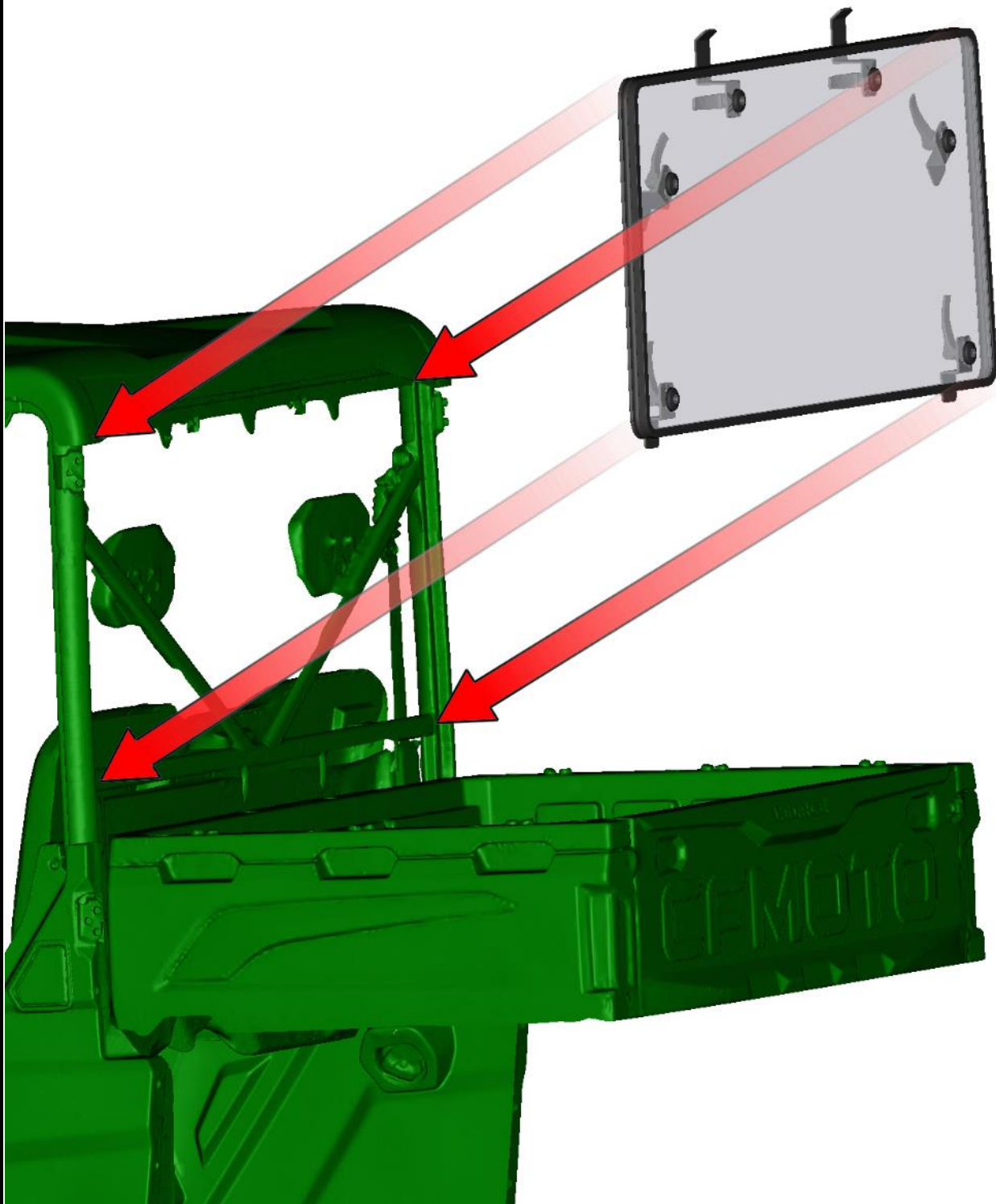
REAR PANEL

Loose the holder screws and turn holders to the neutral position.



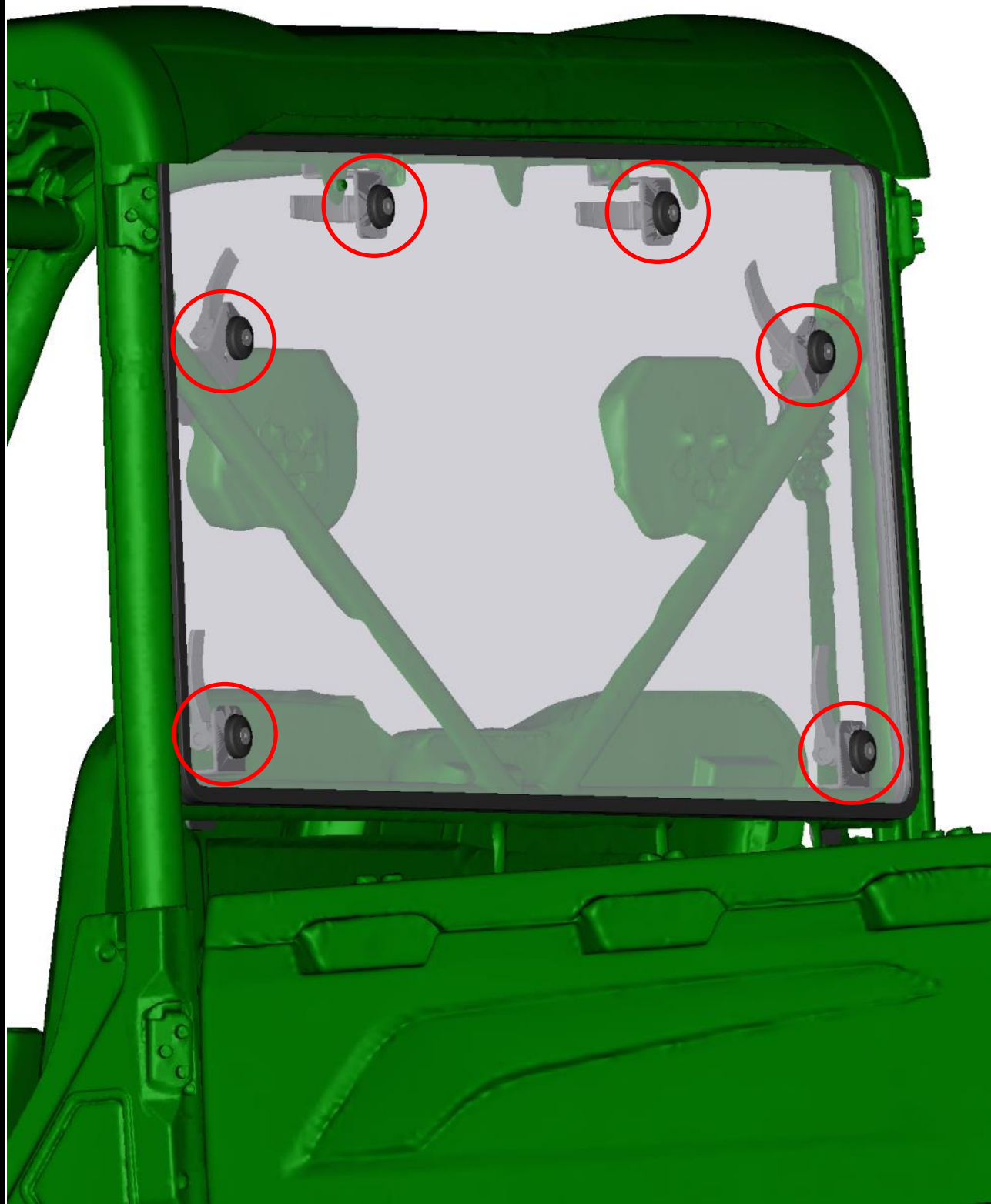
73

Place the rear panel onto the vehicle.



74

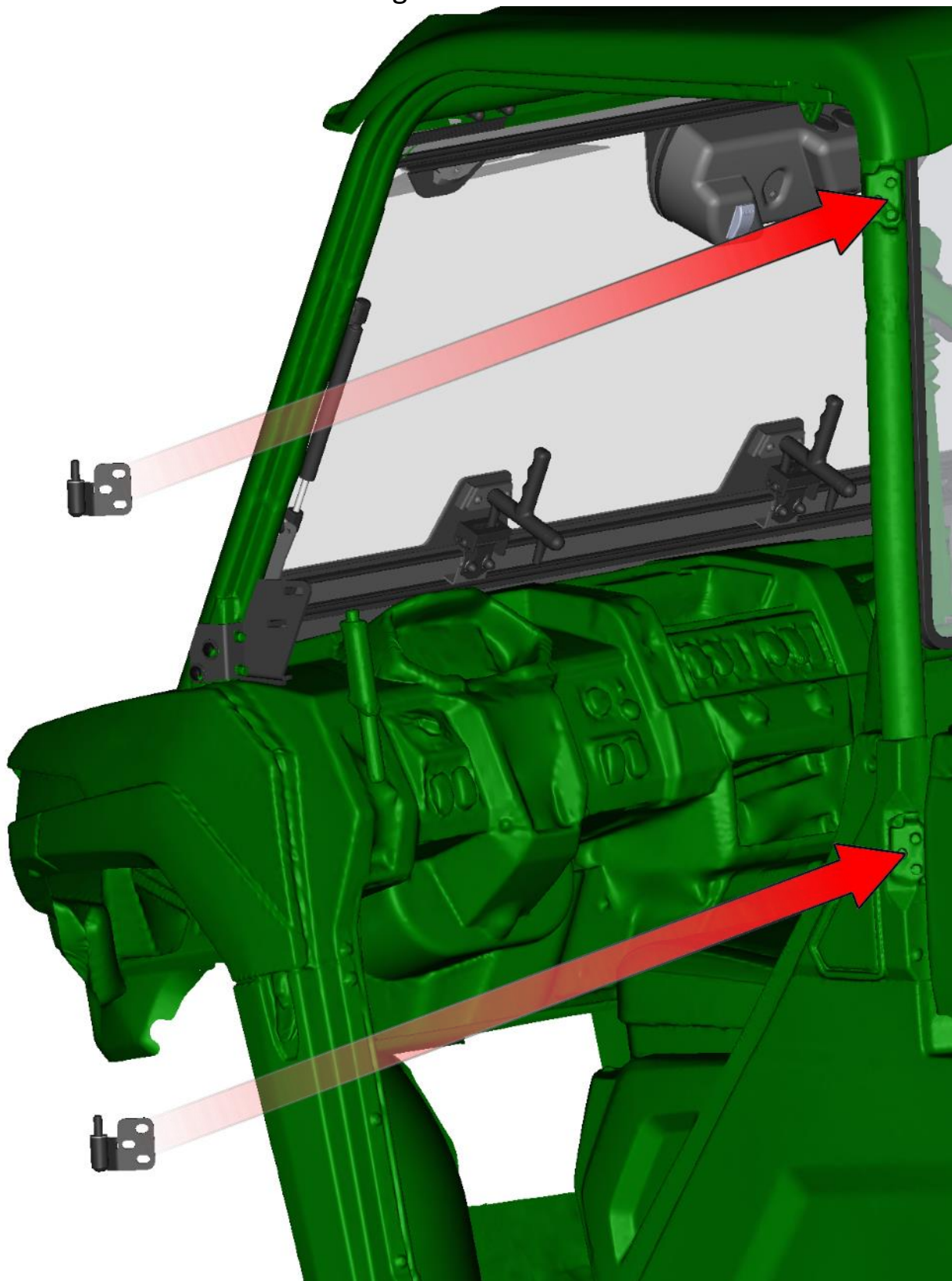
Turn holders to position and adjust the rear panel to the best position.
Tighten holder screws correctly.



75

LEFT DOOR + RIGHT DOOR

Place the left hinges onto the vehicle frame.

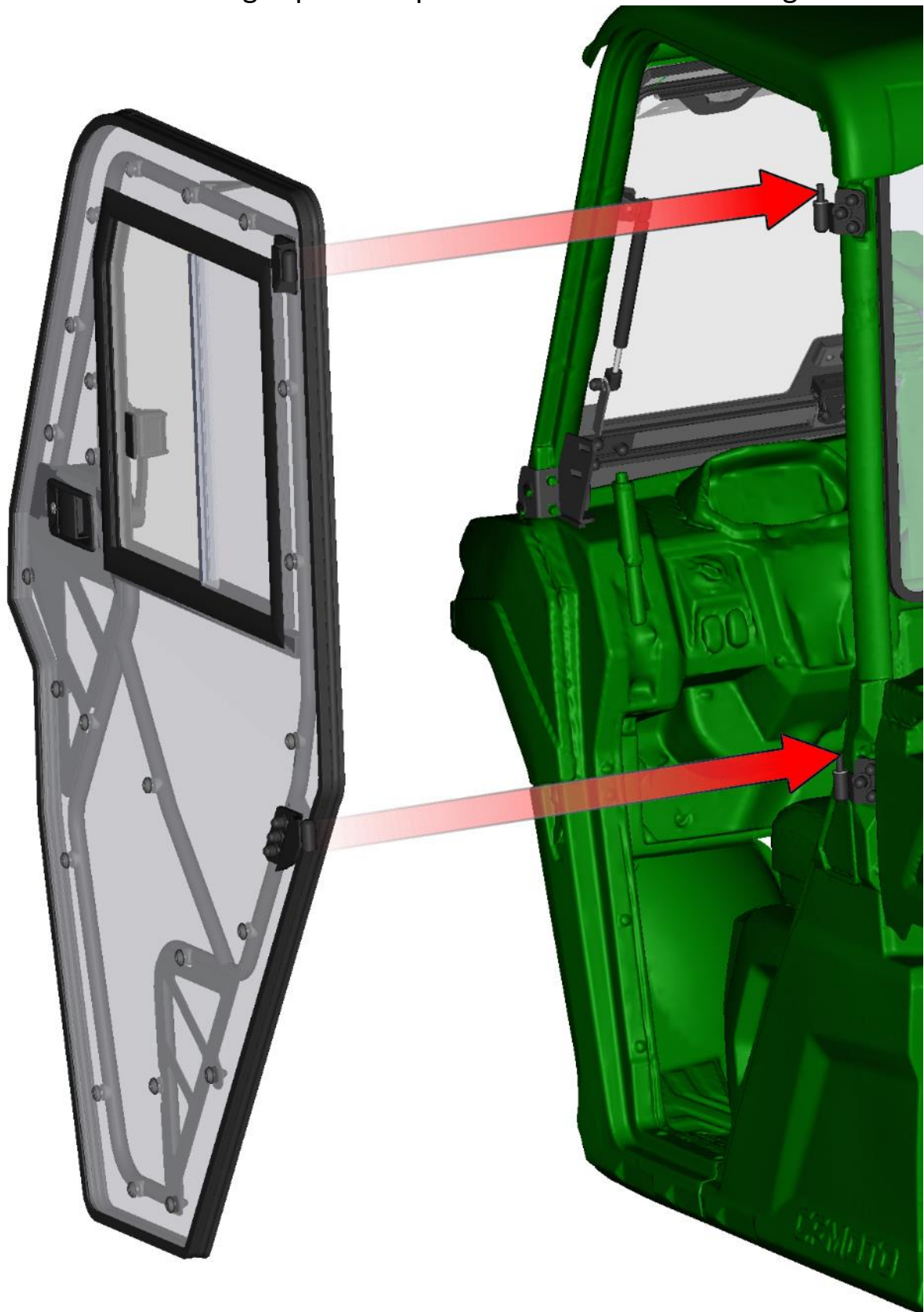


76

Fix the hinges with the frame by included screws, washers and covers.

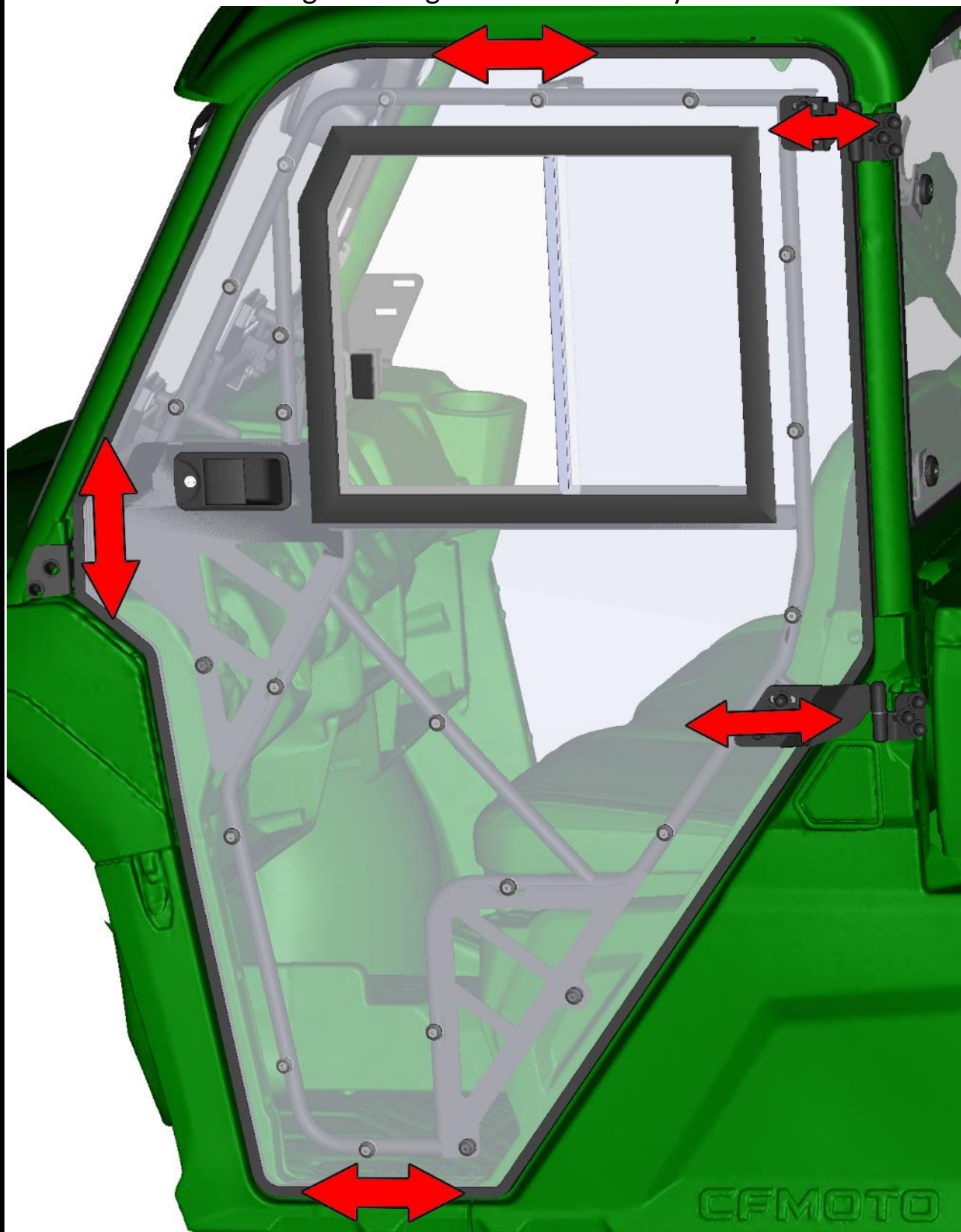


Lubricate the hinges pins and place the door onto the hinges.



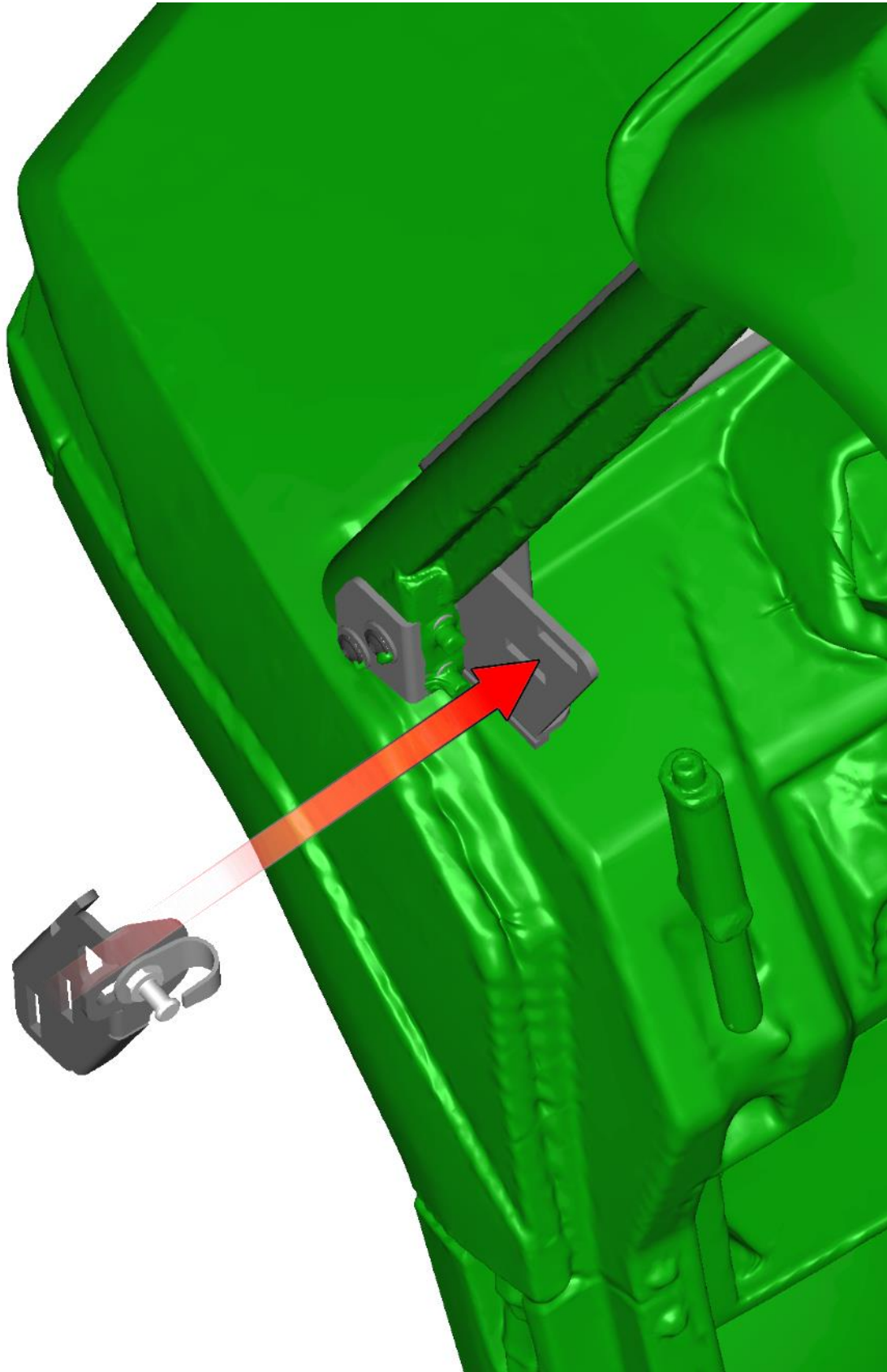
78

Adjust the door by the hinges to the best position.
Tighten hinges screws correctly.



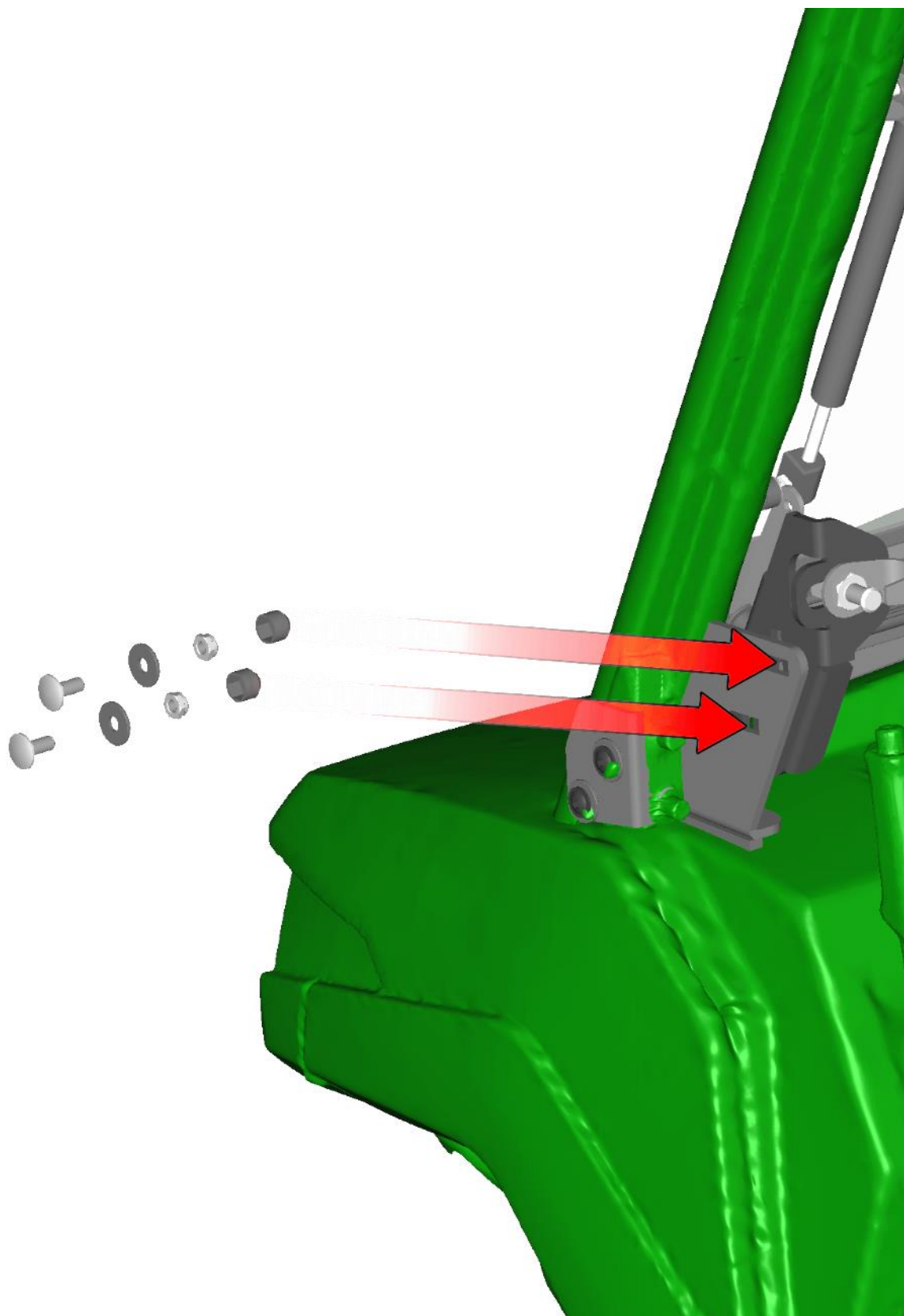
79

Place the left door stop holder onto the door stop base from inner side.



80

Fix the holder with the base by included screws, washers, nuts and covers.

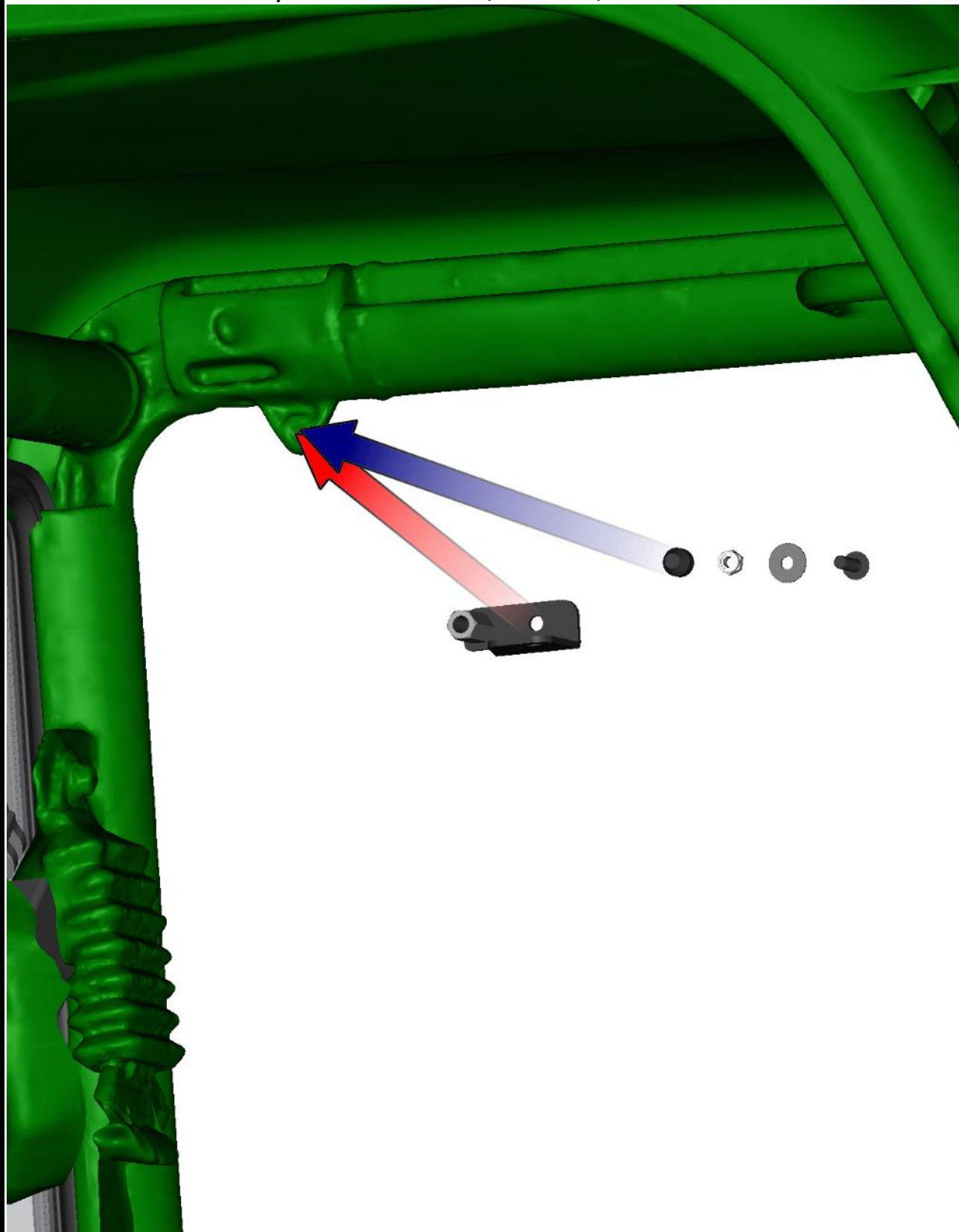


81

Adjust the door stop holder and pin to the best position.
If you adjusted door stop correctly and close the door slowly, you can hear two metallic clicks. Tighten screws and nuts.

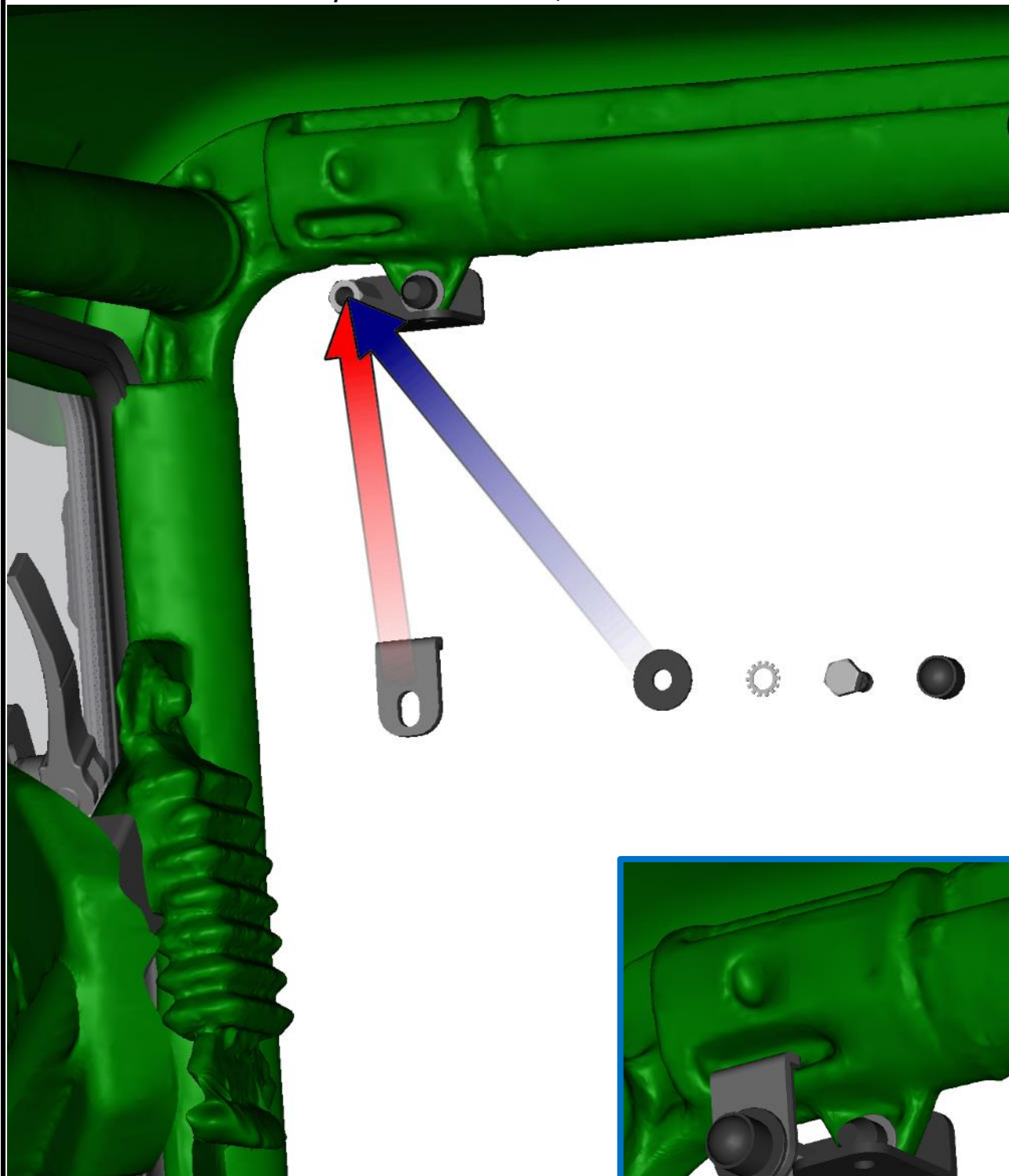


Place the left gas spring base onto the vehicle frame. Fix the base with the frame by included screw, washer, nut and cover.



83

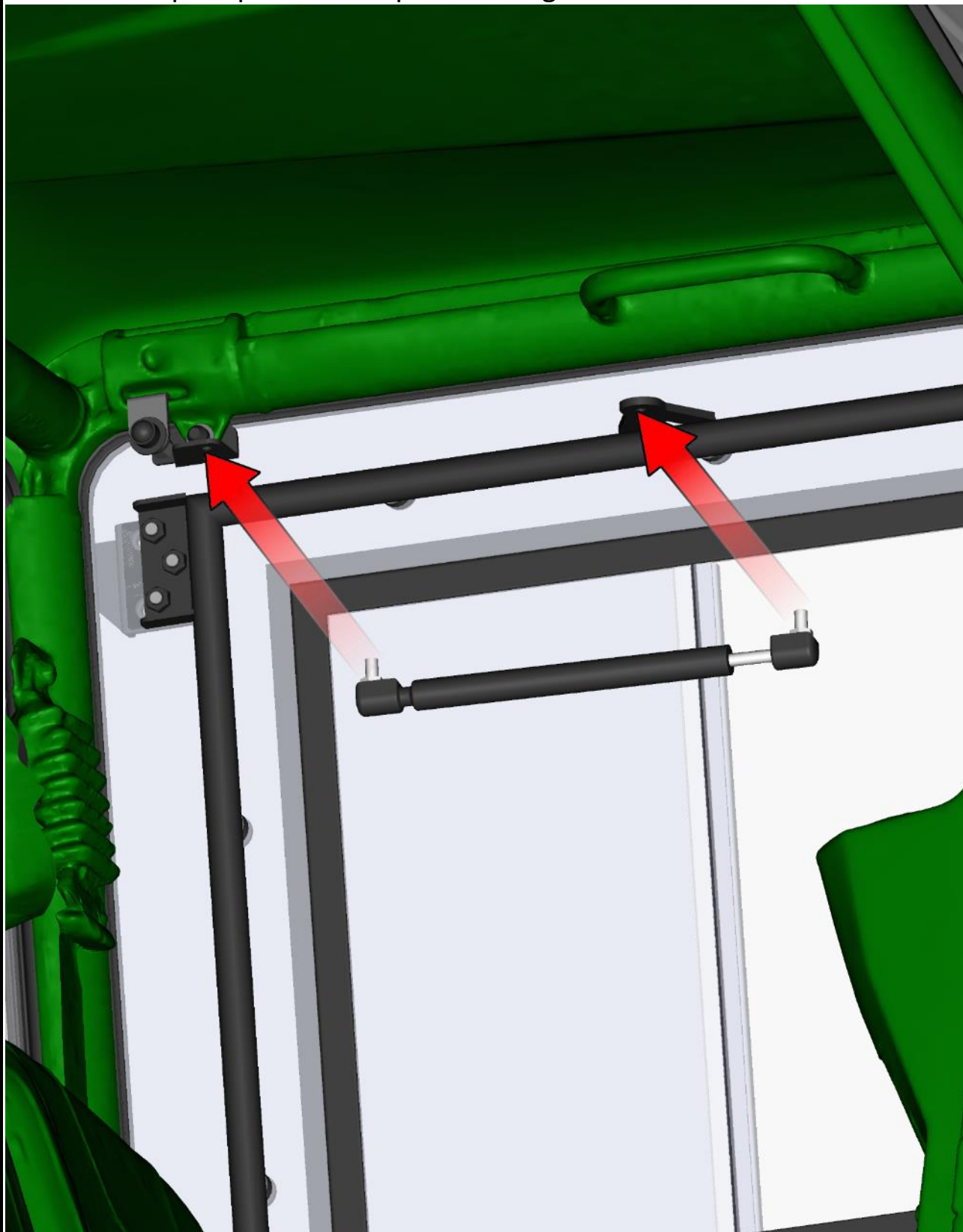
Place the holder onto the base and onto the frame. Fix the holder with the base by included screw, washers and cover.



84

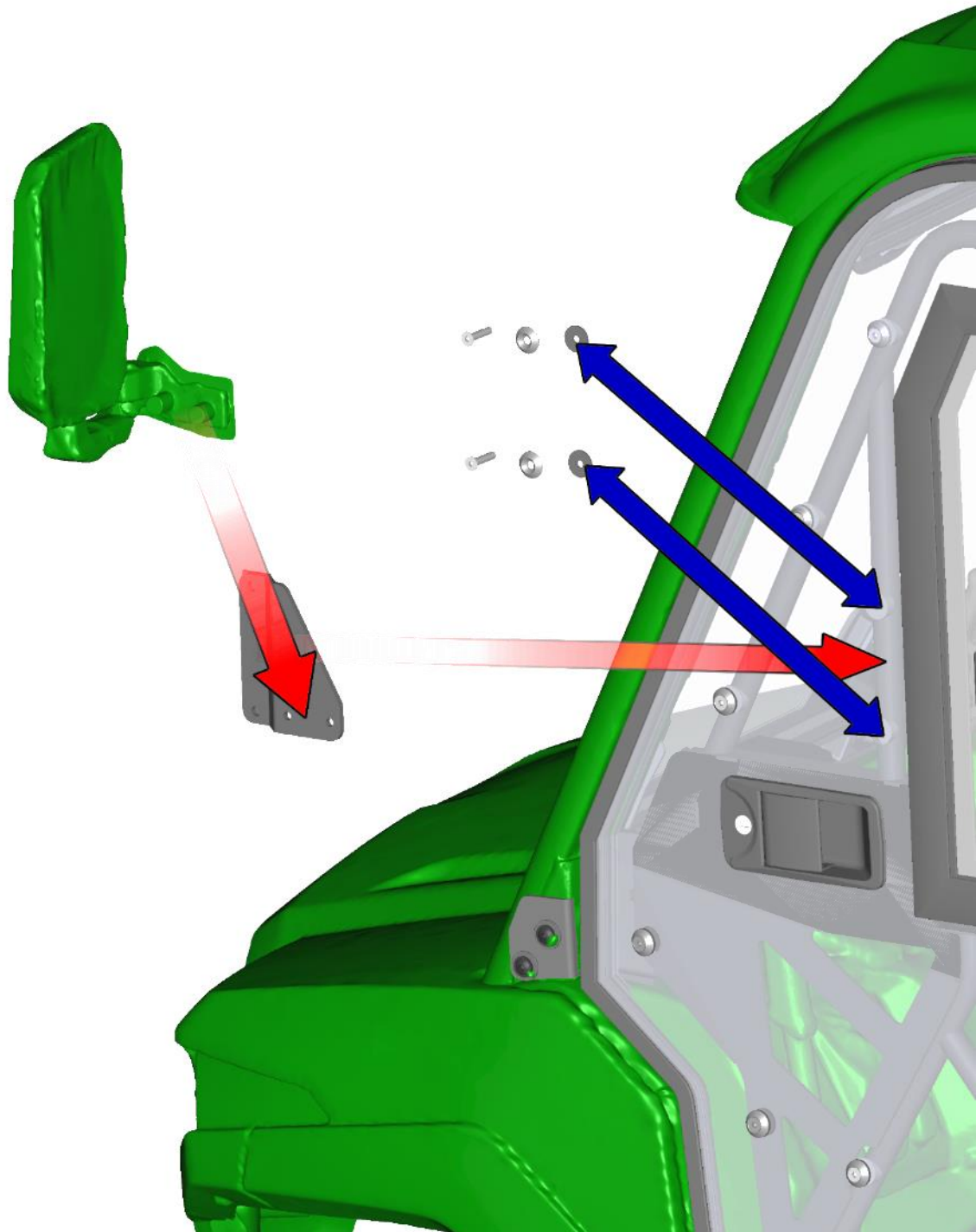
DETAIL VIEW ONTO THE INSTALLED HOLDER

Install the gas spring into the gas spring holder.
Repeat previous steps on the right side of the vehicle.



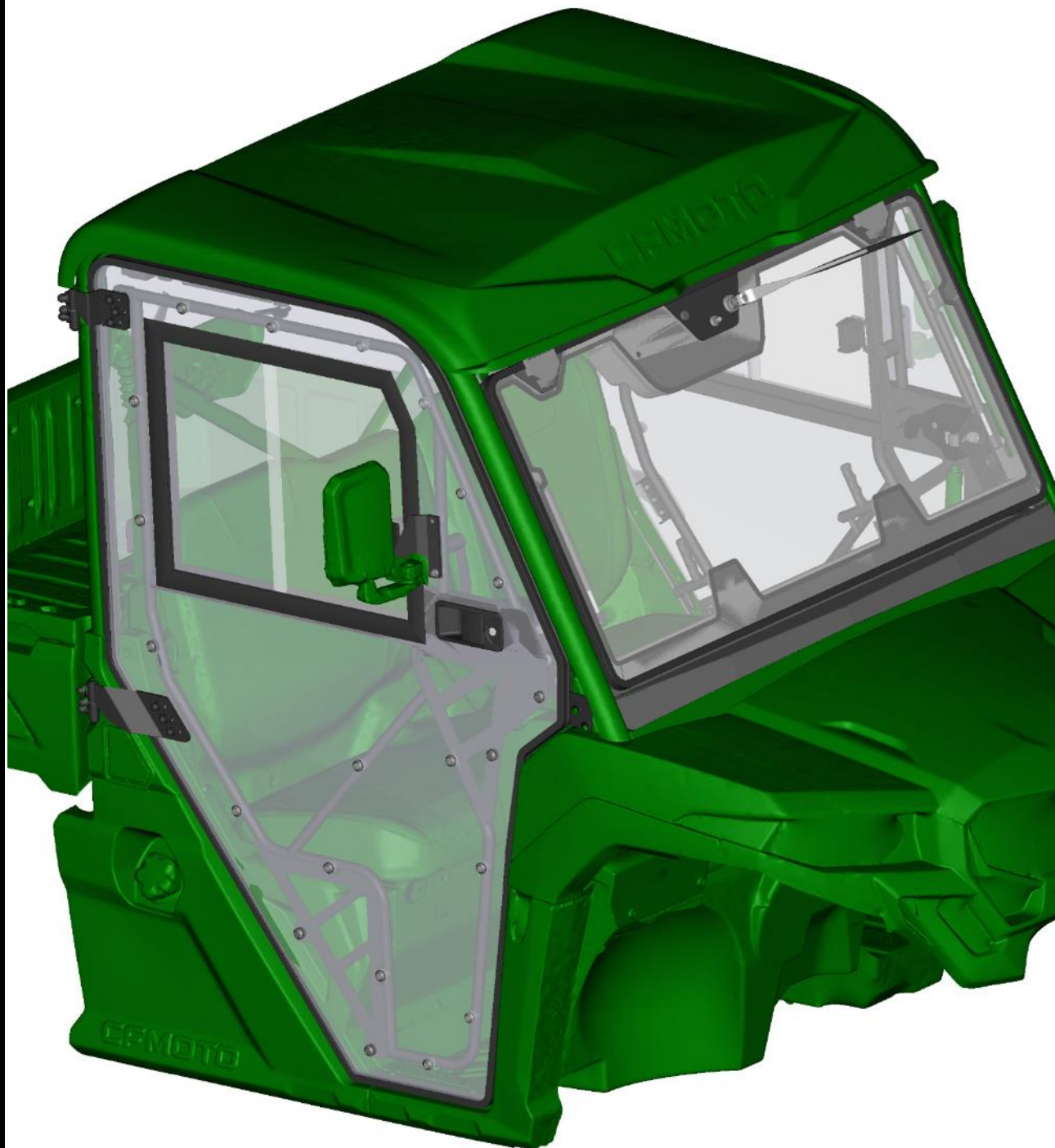
85

Install original side mirror onto the mirror holder. Uninstall screws and washers from door. Place the mirror holder onto the door and fix the holder with the door by screws and washers from previous steps.



86

Repeat previous steps on the right side of the vehicle.



87

BOLT TORQUE

BOLT TORQUE SPECIFICATIONS

GENERAL TORQUE SPECIFICATION TABLE

Use the following torques when special torques are not given. These values apply to fasteners as received from suppliers, dry, or when lubricated with normal engine oil. They do not apply if special graphited or moly disulphide greases or other extreme pressure lubricants are used. This applies to both UNF and UNC threads. Remember to always use grade five or better when replacing bolts.

IMPORTANT: On all PLATED GRADE 8 bolts, reduce torque 15% from listed bolt torque specification.

SAE Grade No.		2				5				8*			
Bolt head identification mark as per grade. NOTE: Manufacturing Marks Will Vary													
Bolt Size		TORQUE				TORQUE				TORQUE			
		Pounds Feet		Newton-Meters		Pounds Feet		Newton-Meters		Pounds Feet		Newton-Meters	
Inches	Millimeters	Min.	Max.	Min.	Max.	Min.	Max.	Min.	Max.	Min.	Max.	Min.	Max.
1/4	6.35	5	6	7	8	9	11	12	15	12	15	16	20
5/16	7.94	10	12	14	16	17	20.5	23	28	24	29	33	39
3/8	9.53	20	23	27	31	35	42	48	57	45	54	61	73
7/16	11.11	30	35	41	47	54	64	73	87	70	84	95	114
1/2	12.70	45	52	61	70	80	96	109	130	110	132	149	179
9/16	14.29	65	75	88	102	110	132	149	179	160	192	217	260
5/8	15.88	95	105	129	142	150	180	203	244	220	264	298	358
3/4	19.05	150	185	203	251	270	324	366	439	380	456	515	618
7/8	22.23	160	200	217	271	400	480	542	651	600	720	814	976
1	25.40	250	300	339	406	580	696	787	944	900	1080	1220	1464
1-1/8	25.58	-	-	-	-	800	880	1085	1193	1280	1440	1736	1953
1-1/4	31.75	-	-	-	-	1120	1240	1519	1681	1820	2000	2468	2712
1-3/8	34.93	-	-	-	-	1460	1680	1980	2278	2380	2720	3227	3688
1-1/2	38.10	-	-	-	-	1940	2200	2631	2983	3160	3560	4285	4827

*Thick Nuts must be used with Grade 8 bolts

METRIC BOLT TORQUE SPECIFICATIONS

Size of Screw	Property Class	Course Thread			Fine Thread		
		Pitch (mm)	Pounds Feet	Newton-Meters	Pitch (mm)	Pounds Feet	Newton-Meters
M6	5.6	1.0	3.6-5.8	4.9-7.9	-	-	-
	8.8		5.8-9.4	7.9-12.7		-	-
	10.9		7.2-10	9.8-13.6		-	-
M8	5.6	1.25	7.2-14	9.8-19	1.0	12-17	16.3-23
	8.8		17-22	23-29.8		19-27	25.7-36.6
	10.9		20-26	27.1-35.2		22-31	29.8-42
M10	5.6	1.5	20-25	27.1-33.9	1.25	20-29	27.1-39.3
	8.8		34-40	46.1-54.2		35-47	47.4-63.7
	10.9		38-46	51.5-62.3		40-52	54.2-70.5
M12	5.6	1.75	28-34	37.9-46.1	1.25	31-41	42-55.6
	8.8		51-59	69.1-79.9		55-68	75.9-92.1
	10.9		57-66	77.2-89.4		62-75	84-101.6
M14	5.6	2.0	49-56	66.4-75.9	1.5	52-64	70.5-86.7
	8.8		81-93	109.8-126		90-106	122-143.6
	10.9		96-109	130.1-147.7		107-124	145-168
M16	5.6	2.0	67-77	90.8-104.3	1.5	69-83	93.6-112.5
	8.8		116-130	157.2-176.2		120-138	162.6-187
	10.9		129-145	174.8-196.5		140-158	189.7-214.1
M18	5.6	2.0	88-100	119.2-136	1.5	100-117	136-158.5
	8.8		150-168	203.3-227.6		177-199	239.8-269.6
	10.9		175-194	237.1-262.9		202-231	273.7-313
M20	5.6	2.5	108-130	146.3-176.2	1.5	132-150	178.9-203.3
	8.8		186-205	252-277.8		206-242	279.1-327.9
	10.9		213-249	288.6-337.4		246-289	333.3-391.6

DFK Cab, s.r.o.
Za Olšávkou 391
Uherské Hradiště 686 01
Czech Republic

Tel: +420 572 520 061,3
Fax: +420 572 520 071
E-mail: dfk@dfk.cz

www.dfk.cz
www.dfk.cz/podpora-utv
password: 78a6xu6mj8G



Declaration of Conformity



DFK Cab, s.r.o.

Za Olšávkou 391

686 01 Uherské Hradiště

Česká republika / Czech Republic